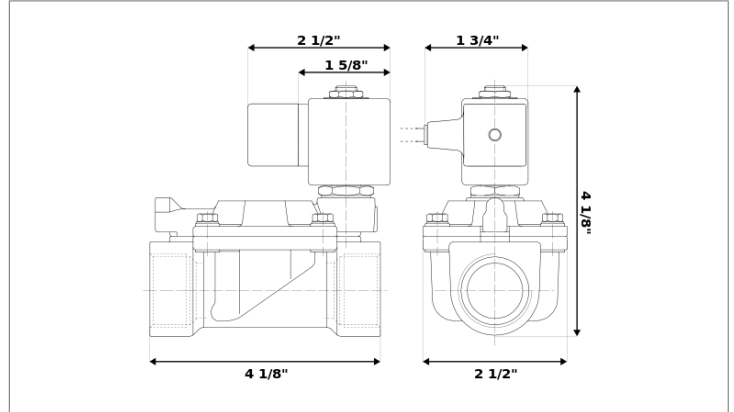


## DKSV263




Normally closed, pilot operated, 2-way solenoid valve with low lead brass body and 3/4" connections



Valve	
Pipe size:	3/4" NPT
Operating pressure:	3–230 psi
Flow coefficient:	9.8 Cv
Media temperature:	15–180 °F
Ambient temperature:	-5–140 °F
Suggested usage:	Potable water
Operation:	2-way, normally closed solenoid valve
Mechanism:	Pilot operated
Manual override:	No
Pipe gender:	Female
Orifice size:	3/4"
Design pressure:	360 psi
Media viscosity:	12 cSt

Electrical	
Power:	24 V ac
Connection:	6 ft. power cord
Holding:	17 VA
Inrush:	25 VA
Voltage tolerances:	+10% -15%
Coil inner diameter:	1/2"
Coil molding:	Polyethylene (PET)
Coil rating:	-5–355 °F (Class H)
Duty cycle:	Continuous, 100% ED
Enclosure:	NEMA 4, IP65

Materials	
Body:	Low lead brass
Seal:	EPDM rubber (EPDM)
Orifice:	Low lead brass
Core tube:	Stainless steel 300
Fixed core:	Stainless steel 400
Plunger:	Stainless steel 400
Spring:	Stainless steel 300
Shading ring:	Copper

Spare parts		
CORE TUBE	REPAIR KIT	COIL/CONNECTOR
AT-N0E1	RK-W0E2-02	C-B32
		
<ul style="list-style-type: none"> <li>Core tube</li> <li>Plunger</li> <li>O-ring</li> </ul>	<ul style="list-style-type: none"> <li>Diaphragm</li> <li>O-rings (2)</li> <li>Plunger</li> </ul>	<ul style="list-style-type: none"> <li>24 V ac electrical coil</li> <li>6 ft. power cord</li> </ul>