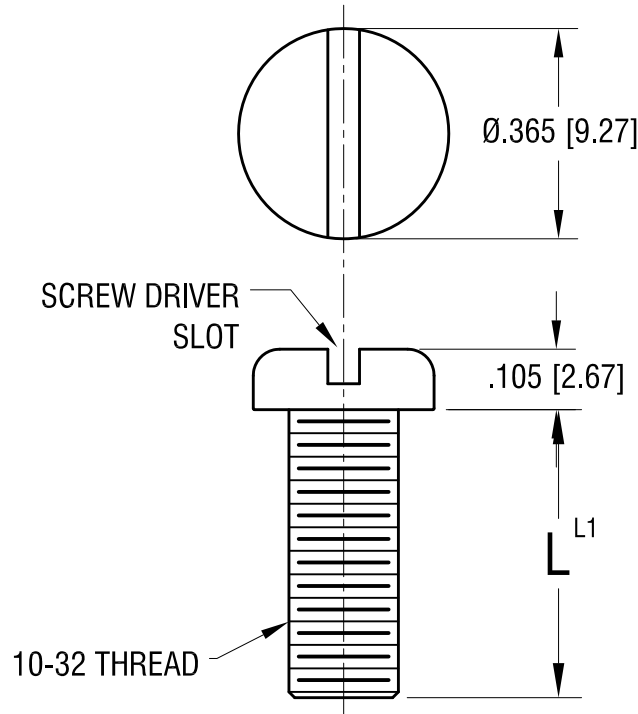
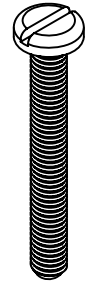


THIS DOCUMENT IS THE PROPERTY OF  
KEYSTONE ELECTRONICS CORP. AND  
SHALL NOT BE REPRODUCED, DISTRIBUTED  
OR USED AS A BASIS FOR MANUFACTURE  
WITHOUT PRIOR WRITTEN PERMISSION  
FROM KEYSTONE ELECTRONICS CORP.

**ACTUAL SIZE**  
P/N 9326



PART NO.	'L' DIM.	'L1' TOL. +0.0
9323	.500 [12.70]	-.020 [-0.50]
9324	.750 [19.05]	-.030 [-0.76]
9325	1.000 [25.40]	
9326	1.500 [38.10]	-.060 [-1.52]

**KEYSTONE ELECTRONICS CORP.**

www.keyelco.com • NEW HYDE PARK NY 11040 • Tel (516)328-7500

PART NAME

10-32 PAN HEAD SCREW

MATERIAL

STEEL

FINISH

ZINC PLATE

DRN BY

BOONE

DATE

3.01.04

APP'D

RH

SCALE

3X

TOLERANCES

INCH [MM]

DECIMAL ± .010 [± 0.25]

ANGULAR ± 1°  
UNLESS OTHERWISE SPECIFIED

CODE

C

DWG NO.

9323-9326

DATE	DESCRIPTION	REV.