

Connectors - SACC-M12FS-4QO-0,75-VA - 1440782

Please be informed that the data shown in this PDF Document is generated from our Online Catalog. Please find the complete data in the user's documentation. Our General Terms of Use for Downloads are valid (<http://download.phoenixcontact.com>)



Sensor/actuator connector, female connector, straight, 4-pos., M12, A-encoded, QUICKON-ONE, high-grade steel knurl, maximum cable diameter of 8 mm

Key commercial data

Packing unit	0
Minimum order quantity	1
Catalog page	Page 218 (PC-2011)
GTIN	 4 046356 517003
Custom tariff number	85366990
Country of origin	GERMANY

Technical data

General data

Rated current at 40°C	4 A
Rated voltage	250 V
Number of positions	4
Volume resistance	≤ 5 mΩ
Insulation resistance	≥ 100 MΩ
Ambient temperature (operation)	-25 °C ... 80 °C (Male connector / female connector)

General characteristics

Standards/regulations	M12 connector IEC 61076-2-101
Coding	A - standard
Surge voltage category	II
Pollution degree	3
Degree of protection	IP65/67
Torque	0.4 Nm (M12 knurl)
Torque	1.2 Nm (Pressure nut)
Contact material	CuSn
Contact surface material	Ni/Au
Contact carrier material	TPU
Material of grip body	PA 6
Material, knurls	High-grade steel

Connectors - SACC-M12FS-4QO-0,75-VA - 1440782

Technical data

General characteristics

Sealing material	FPM (M12 socket)
Sealing material	Neoprene (Cable clamping)
Connection method	Insulation displacement connection
Conductor cross section	0.34 mm ² ... 0.75 mm ²
AWG conductor cross section	22 ... 18
Assembly instructions	AWG 18 wire cross section upon request
Wire diameter including insulation	1.3 mm ... 2.6 mm
Frequency of connections between conductors of the same cross section	10
External cable diameter	4 mm ... 8 mm
Wire insulation material	PVC / PE
Wrench size, union nut	15 mm
Structure of individual litz in acc. with VDE 0295 / smallest wire diameter	Class 2-6
Status display	No

Classifications

eclass

eCl@ss 4.0	27250313
eCl@ss 4.1	27250313
eCl@ss 5.0	27143423
eCl@ss 5.1	27143423
eCl@ss 6.0	27279220
eCl@ss 7.0	27440103

etim

ETIM 3.0	EC002061
ETIM 4.0	EC002061

unspsc

UNSPSC 6.01	31261501
UNSPSC 7.0901	31261501
UNSPSC 11	31261501
UNSPSC 12.01	31261501
UNSPSC 13.2	31261501

Approvals

Approvals

Approvals

GOST

Connectors - SACC-M12FS-4QO-0,75-VA - 1440782

Approvals

Ex Approvals

Approvals submitted

Approval details

GOST 

Accessories

Accessories

Tools

Socket wrench - QSS 15 - 1641992



Allen wrench, for loosening and fastening the QUICKON union nut, WAF 15 mm

Torque screwdriver - TSD 04 SAC - 1208429



Torque screwdriver, with preset torque of 0.4 Nm and 4 mm hexagonal drive for M12 connectors

Adapter - SAC BIT M12-W14 - 1212513



SAC nut, for assembling M12 connectors with hexagonal high-grade steel knurl, with 4 mm hexagonal drive

Connectors - SACC-M12FS-4QO-0,75-VA - 1440782

Accessories

Torque screwdriver - TSD-M 1,2NM - 1212224



Torque screw driver, accuracy as per EN ISO 6789 standard, adjustable from 0.3 - 1.2 Nm

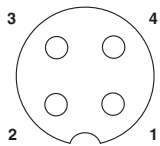
Adapter insert - TSD-M SAC-BIT ADAPTER - 1212600



Adapter bit for TSD-M...torque tools, E6.3-1/4" drive with 4 mm hexagon to accommodate SAC bits

Drawings

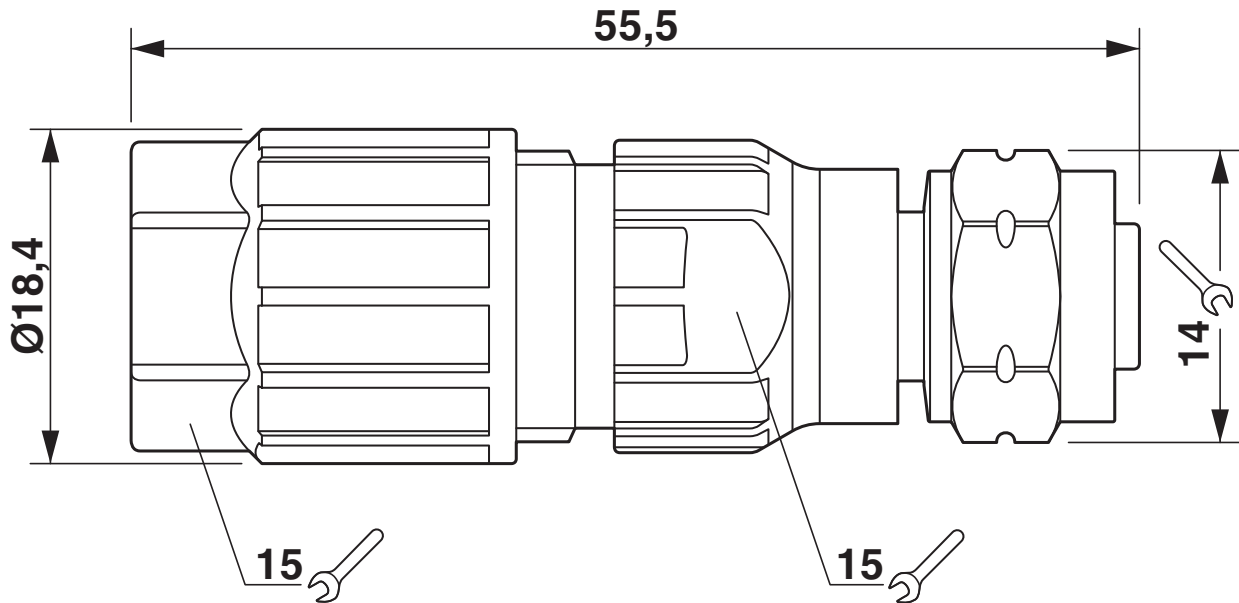
Schematic diagram



Pin assignment M12 socket, 4-pos., A-coded, view female side

Connectors - SACC-M12FS-4QO-0,75-VA - 1440782

Dimensioned drawing





© Phoenix Contact 2012 - all rights reserved
<http://www.phoenixcontact.com>