



RVT43HLTFWN00

## IPS RGB 4.3" LCD TFT DATASHEET

Rev.1.1  
2021-07-27

| ITEM                           | CONTENTS                            | UNIT              |
|--------------------------------|-------------------------------------|-------------------|
| LCD Type                       | TFT/Transmissive/Normally black/IPS | /                 |
| Size                           | 4.3                                 | Inch              |
| Viewing Direction              | Free                                | /                 |
| Outside Dimensions (W x H x D) | 106.30 x 83.98 x 3.48               | mm                |
| Active Area (W x H)            | 95.04 x 53.86                       | mm                |
| Pixel Pitch (W x H)            | 0.198 x 0.198                       | mm                |
| Resolution                     | 480 x 272 (RGB)                     | /                 |
| Brightness                     | 1000                                | cd/m <sup>2</sup> |
| LCD Interface Type             | RGB                                 | /                 |
| Color Depth                    | 16.7 M                              | /                 |
| Pixel Arrangement              | RGB Vertical Stripe                 | /                 |
| LCD Driver                     | SC7283                              | /                 |
| With/Without Touch             | Without Touch Panel                 | /                 |
| Surface Treatment              | Anti-Glare                          | /                 |
| LCD Input Voltage              | 3.3                                 | V                 |
| Weight                         | 67                                  | g                 |

**Note 1:** RoHS3 compliant**Note 2:** LCM weight tolerance:  $\pm 5\%$ .



## 1. REVISION RECORD

| REV NO. | REV DATE   | CONTENTS              | REMARKS |
|---------|------------|-----------------------|---------|
| 1.0     | 2020-08-05 | Initial Release       |         |
| 1.1     | 2021-07-27 | Updating new template |         |



## 2. CONTENTS

|        |  |    |
|--------|--|----|
| 1.     | REVISION RECORD.....                               | 2  |
| 2.     | CONTENTS.....                                      | 3  |
| 3.     | MODULE CLASSIFICATION INFORMATION.....             | 4  |
| 4.     | ASSEMBLY GUIDE.....                                | 5  |
| 4.1    | Mounting frame.....                                | 5  |
| 5.     | MODULE DRAWING.....                                | 6  |
| 6.     | ABSOLUTE MAXIMUM RATINGS.....                      | 7  |
| 7.     | ELECTRICAL CHARACTERISTICS.....                    | 7  |
| 8.     | BACKLIGHT ELECTRICAL CHARACTERISTICS.....          | 7  |
| 9.     | ELECTRO-OPTICAL CHARACTERISTICS.....               | 8  |
| 10.    | BLOCK DIAGRAM.....                                 | 10 |
| 11.    | INTERFACES DESCRIPTION.....                        | 11 |
| 11.1   | TFT assignment.....                                | 11 |
| 12.    | TIMING CHARACTERISTICS.....                        | 12 |
| 12.1   | Timing diagram and input setup timing setting..... | 12 |
| 12.1.1 | SYNC mode timing diagram.....                      | 12 |
| 12.1.2 | SYNC-DE mode timing diagram.....                   | 13 |
| 12.1.3 | DE mode timing diagram.....                        | 14 |
| 12.2   | Parallel 24-bit RGB input timing table.....        | 15 |
| 12.3   | Power ON/OFF sequence.....                         | 16 |
| 12.3.1 | Power on sequence.....                             | 16 |
| 12.3.2 | Power off sequence.....                            | 16 |
| 13.    | INSPECTION.....                                    | 17 |
| 13.1   | Inspection condition.....                          | 17 |
| 13.2   | Inspection standard.....                           | 18 |
| 14.    | RELIABILITY TEST.....                              | 19 |
| 15.    | LEGAL INFORMATION.....                             | 20 |



### 3. MODULE CLASSIFICATION INFORMATION

| RV | T  | 43 | H  | L  | T  | F  | W  | N  | 00  |
|----|----|----|----|----|----|----|----|----|-----|
| 1. | 2. | 3. | 4. | 5. | 6. | 7. | 8. | 9. | 10. |

| NO. | PARAMETER        | SYMBOL                        |
|-----|------------------|-------------------------------|
| 1.  | BRAND            | RV – Riverdi                  |
| 2.  | PRODUCT TYPE     | T – TFT Standard              |
| 3.  | DISPLAY SIZE     | 43 – 4.3"                     |
| 4.  | MODEL SERIAL NO. | H – High Brightness, IPS      |
| 5.  | RESOLUTION       | L – 480 x 272 px              |
| 6.  | INTERFACE        | T – TFT LCD, RGB              |
| 7.  | FRAME            | F – With Mounting Metal Frame |
| 8.  | BACKLIGHT TYPE   | W – LED White                 |
| 9.  | TOUCH PANEL      | N – Without Touch Panel       |
| 10. | VERSION          | 00 – (00-99)                  |

## 4. ASSEMBLY GUIDE

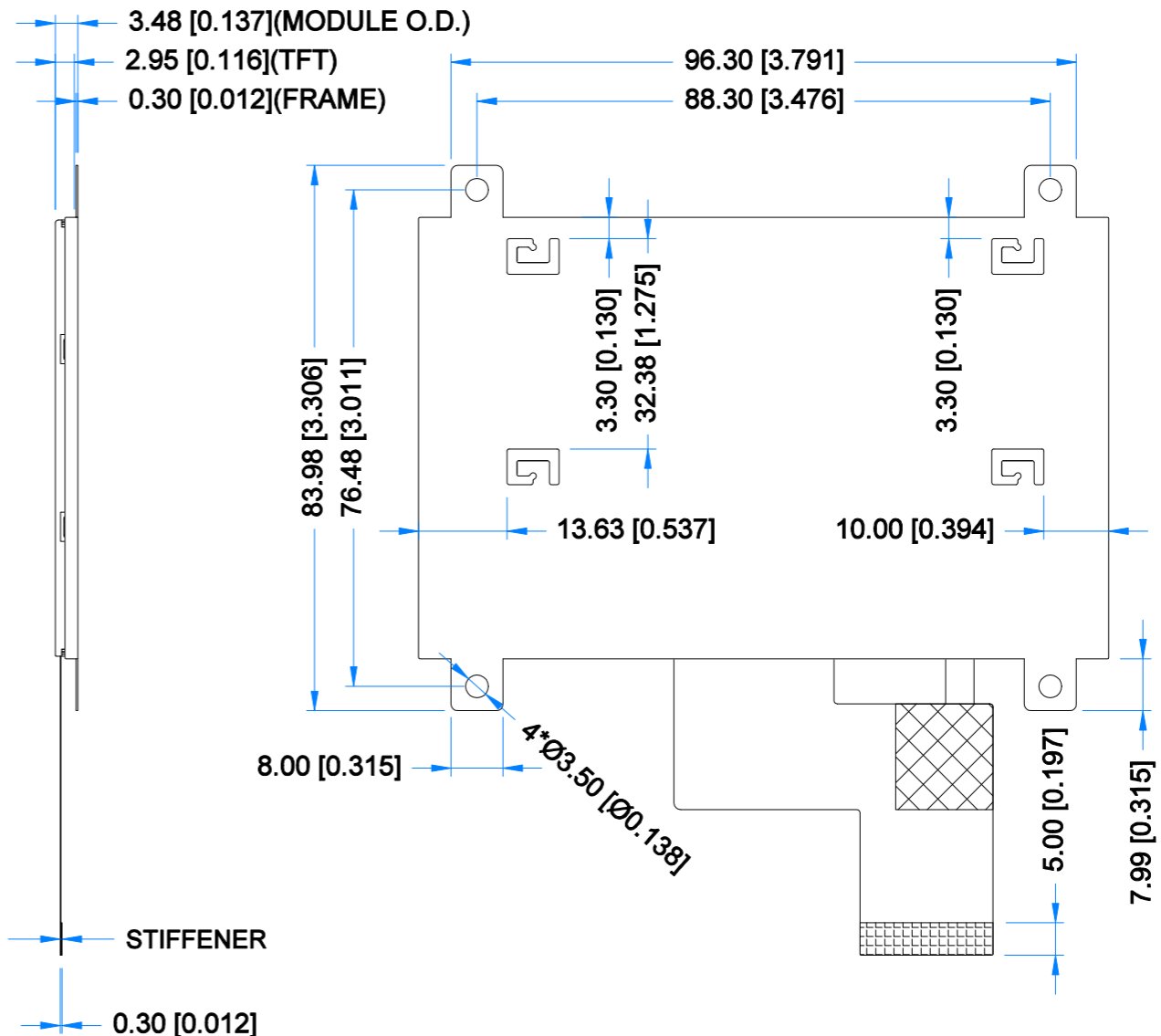
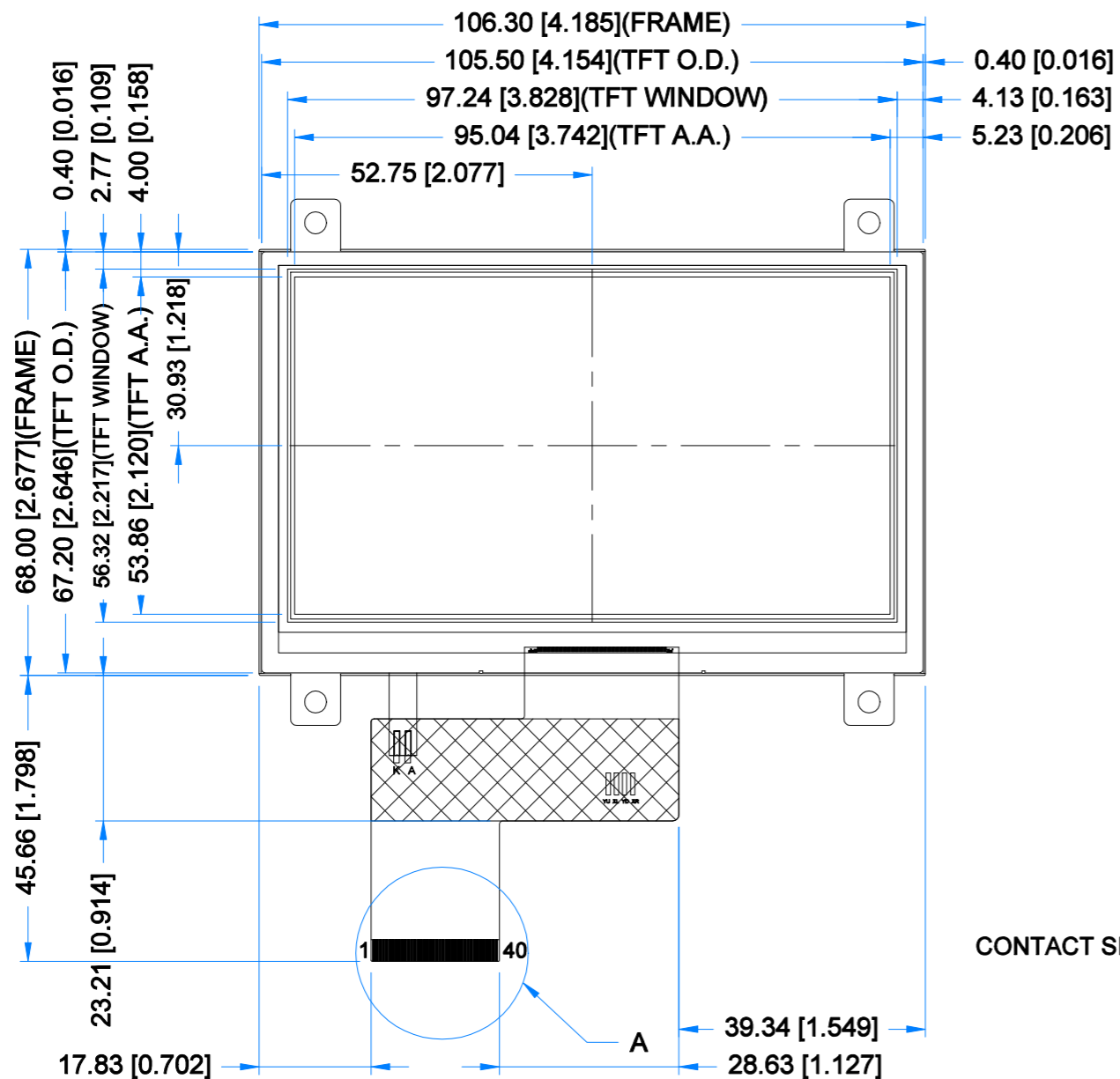
### 4.1 Mounting frame

For dimensions 3.5", 4.3", 5.0", 7.0" and 10.1", the product with mounting frame version is available. Thanks to the four catches attached to the side, frame provides strong assembly to the surface by mounting element (like the screw, see Figure 1). The frames are specially designed to fit Riverdi products perfectly. The diameter of the mounting hole is 3.5mm.

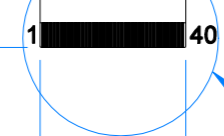
Figure 1. Mounting frame



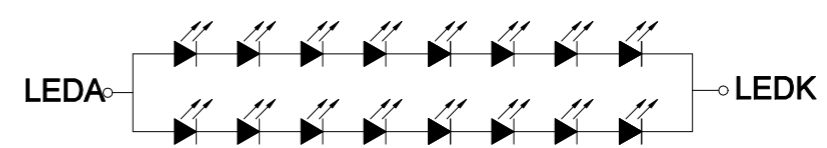
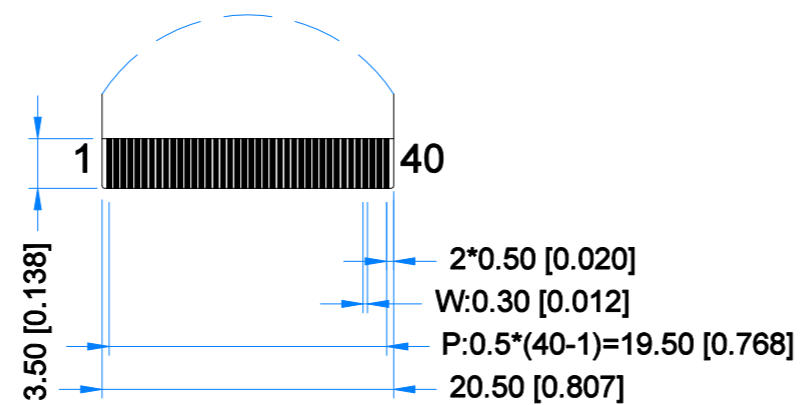
| Revision: | Changes:            | Date:      |
|-----------|---------------------|------------|
| 1.0       | Initial Case        | 2020.07.14 |
| 1.1       | Dimensions Overhaul | 2021.07.01 |



CONTACT SIDE      STIFFENER



DETAIL A  
SCALE 2:1



LED Diagram Circuit

**TFT NOTES:**  
1. LCD TYPE: TRANSMISSIVE, NORMALLY BLACK, IPS  
2. RESOLUTION: 480x272  
3. VIEWING ANGLE: FREE  
4. INTERFACE: RGB  
5. LCD DRIVER: SC7283  
6. LOGIC VOLTAGE: 3.3V  
7. SURFACE LUMINANCE: 1000 cd/m<sup>2</sup>(TYP)  
8. BACKLIGHT: 16 PCS LED, V<sub>F</sub>=25.6V(TYP), I<sub>F</sub>=40mA(TYP)

**GENERAL NOTES:**  
1. OPERATING TEMPERATURE: -20°C ~ 70°C  
2. STORAGE TEMPERATURE: -30°C ~ 80°C  
3. WITHOUT INDIVIDUAL TOLERANCE:  
±0.3mm[0.012inch]  
4. RoHS COMPLIANT

PN: RVT43HLTFWN00  
SN:  
DRAWN: M.Natywa      2021.07.01  
CHECKED: K.Brodacka      2021.07.06  
APPR:

|        |           |
|--------|-----------|
| 1:1.06 |           |
| [mm]   |           |
| ISO A3 | P. 1 of 1 |



## 6. ABSOLUTE MAXIMUM RATINGS

| PARAMETER                     | SYMBOL   | MIN  | MAX            | UNIT | NOTE         |
|-------------------------------|----------|------|----------------|------|--------------|
| Power for Circuit Driving     | $V_{DD}$ | -0.3 | 4.6            | V    | NOTE 1       |
| Power for Circuit Logic       | $V_t$    | -0.3 | $V_{DD} + 0.3$ | V    | NOTE 1       |
| Operating Ambient temperature | $T_{OP}$ | -20  | 70             | °C   | At<br>25±5°C |
| Storage Temperature           | $T_{ST}$ | -30  | 80             | °C   |              |
| Operating Ambient Humidity    | $H_{OP}$ | 10   | -              | % RH |              |
| Storage Ambient Humidity      | $H_{ST}$ | 10   | -              | % RH |              |

**Note 1.** Exceeding the maximum values may cause improper operation or permanent damage to the unit.

## 7. ELECTRICAL CHARACTERISTICS

| PARAMETER                       |              | SYMBOL | MIN         | TYP | MAX         | UNIT |
|---------------------------------|--------------|--------|-------------|-----|-------------|------|
| Power Supply for Analog Circuit |              | VDD    | 3.0         | 3.3 | 3.6         | V    |
| Logic Input Voltage             | Low Voltage  | VIL    | 0           | -   | $0.3V_{DD}$ |      |
|                                 | High Voltage | VIH    | $0.7V_{DD}$ | -   | $V_{DD}$    |      |
| Logic Output Voltage            | Low Voltage  | VOL    | 0           | -   | $0.2V_{DD}$ |      |
|                                 | High Voltage | VOH    | $0.8V_{DD}$ | -   | -           |      |
| Power Consumption               | Black Mode   | Pb     | -           | 20  | 25          | mW   |
|                                 | Standby Mode | Pw     | -           | 40  | 50          | mW   |

## 8. BACKLIGHT ELECTRICAL CHARACTERISTICS

| PARAMETER                   | SYMBOL   | MIN  | TYP    | MAX  | UNIT  | NOTE      |
|-----------------------------|----------|------|--------|------|-------|-----------|
| Backlight Driving Voltage   | $V_F$    | 24.4 | 25.6   | 27.2 | V     | Notes 1,2 |
| Backlight Driving Current   | $I_F$    | -    | 40     | -    | mA    |           |
| Backlight Power Consumption | $W_{BL}$ | -    | 1024   | -    | mW    |           |
| Backlight Lifetime          | -        | -    | 50,000 | -    | hours | Note 3    |

**Note 1.** Unless specified, the ambient temperature  $T_a=25^\circ\text{C}$ .

**Note 2.** The recommended operating conditions refer to a range in which operation of this product is guaranteed. Should this range be exceeded, the operation cannot be guaranteed even if the values may be without the absolute maximum ratings.

**Note 3.** Operating life means the period of time in which the LED brightness goes down to 50% of the initial brightness. Typical operating lifetime is the estimated parameter.



## 9. ELECTRO-OPTICAL CHARACTERISTICS

Optical characteristics are determined after the unit has been 'ON' and stable for approximately 30 minutes in a dark environment at 25 °C. The values specified are at an approximate distance 500mm from the LCD surface at a viewing angle of  $\Phi$  and  $\theta$  equal to 0°.

| ITEM                       | SYMBOL            | CONDITION   | MIN   | TYP   | MAX   | UNIT              | RMK    | NOTE |
|----------------------------|-------------------|---|-------|-------|-------|-------------------|--------|------|
| Response Time              | Tr+Tf             | $\theta=0^\circ$<br>$\varnothing=0^\circ$<br>Ta=25 °C | -     | 30    | 40    | ms                | FIG 2. | 4    |
| Contrast Ratio             | Cr                |   | 640   | 800   | -     | ---               | FIG 3. | 1    |
| Luminance Uniformity       | $\delta$<br>WHITE |   | -     | 75    | -     | %                 | FIG 3. | 3    |
| Surface Luminance          | Lv                |   | 900   | 1000  | -     | cd/m <sup>2</sup> | FIG 3. | 2    |
| Viewing Angle Range        | $\theta$          | $\varnothing = 90^\circ$                              | 70    | 80    | -     | deg               | FIG 4. | 6    |
|                            |                   | $\varnothing = 270^\circ$                             | 70    | 80    | -     | deg               | FIG 4. |      |
|                            |                   | $\varnothing = 0^\circ$                               | 70    | 80    | -     | deg               | FIG 4. |      |
|                            |                   | $\varnothing = 180^\circ$                             | 70    | 80    | -     | deg               | FIG 4. |      |
| CIE (x, y)<br>Chromaticity | Rx                | $\theta=0^\circ$<br>$\varnothing=0^\circ$<br>Ta=25 °C | 0.579 | 0.619 | 0.659 | -                 | FIG 3. | 5    |
|                            | Ry                |   | 0.290 | 0.330 | 0.370 | -                 |        |      |
|                            | Gx                |   | 0.346 | 0.386 | 0.426 | -                 |        |      |
|                            | Gy                |   | 0.539 | 0.579 | 0.619 | -                 |        |      |
|                            | Bx                |   | 0.070 | 0.110 | 0.150 | -                 |        |      |
|                            | By                |   | 0.091 | 0.131 | 0.171 | -                 |        |      |
|                            | Wx                |   | 0.280 | 0.320 | 0.360 | -                 |        |      |
|                            | Wy                |   | 0.305 | 0.345 | 0.384 | -                 |        |      |

**Note 1.** Contrast Ratio (CR) is defined mathematically as below, for more information see Figure 1.

$$\text{Contrast Ratio} = \frac{\text{Average Surface Luminance with all white pixels (P1, P2, P3, P4, P5)}}{\text{Average Surface Luminance with all black pixels (P1, P2, P3, P4, P5)}}$$

**Note 2.** Surface luminance is the LCD surface from the surface with all pixels displaying white. For more information see Figure 3.

$$L_v = \text{Average Surface Luminance with all white pixels (P1, P2, P3, P4, P5)}$$

**Note 3.** The uniformity in surface luminance  $\delta$  WHITE is determined by measuring luminance at each test position 1 through 5, and then dividing the minimum luminance of 5 points luminance by maximum luminance of 5 points luminance. For more information see Figure 3.

$$\delta \text{ WHITE} = \frac{\text{Minimum Surface Luminance with all white pixels (P1, P2, P3, P4, P5)}}{\text{Maximum Surface Luminance with all white pixels (P1, P2, P3, P4, P5)}}$$

**Note 4.** Response time is the time required for the display to transition from white to black (Rise Time, Tr) and from black to white (Decay Time, Tf). For additional information see Figure 1. The test equipment is Autronic-Melchers's ConoScope series.

**Note 5.** CIE (x, y) chromaticity, the x, y value is determined by measuring luminance at each test position 1 through 5, and then make average value.





**Note 6.** Viewing angle is the angle at which the contrast ratio is greater than 2. For TFT module the contrast ratio is greater than 10. The angles are determined for the horizontal or x axis and the vertical or y axis with respect to the z axis which is normal to LCD surface. For more information see Figure 4.

**Note 7.** For viewing angle and response time testing, the testing data is based on Autronic-Melchers's ConoScope series. Instruments for Contrast Ratio, Surface Luminance, Luminance Uniformity, CIE the test data is based on TOPCON's BM-5 photo detector.

Figure 2. The definition of response time

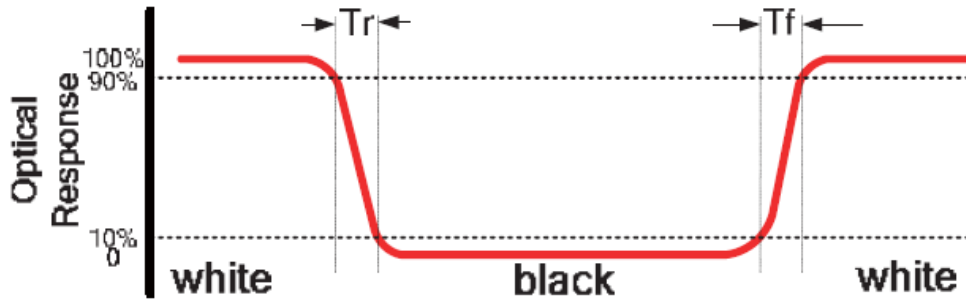


Figure 3. Measuring method for Contrast ratio, surface luminance, Luminance uniformity, CIE (x, y) chromaticity

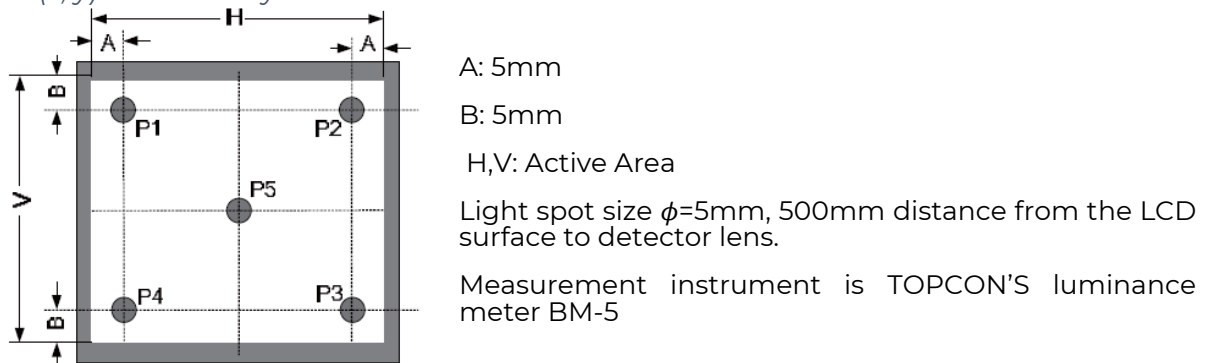
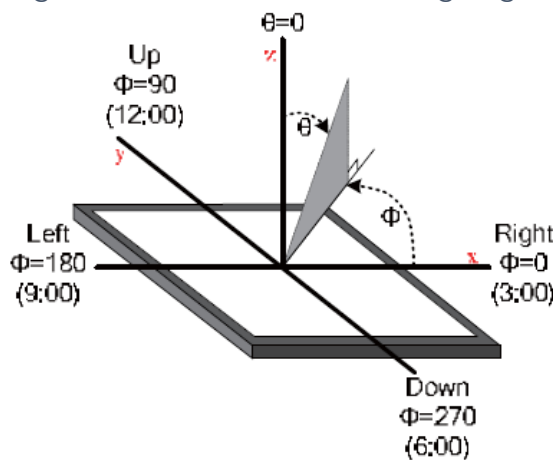
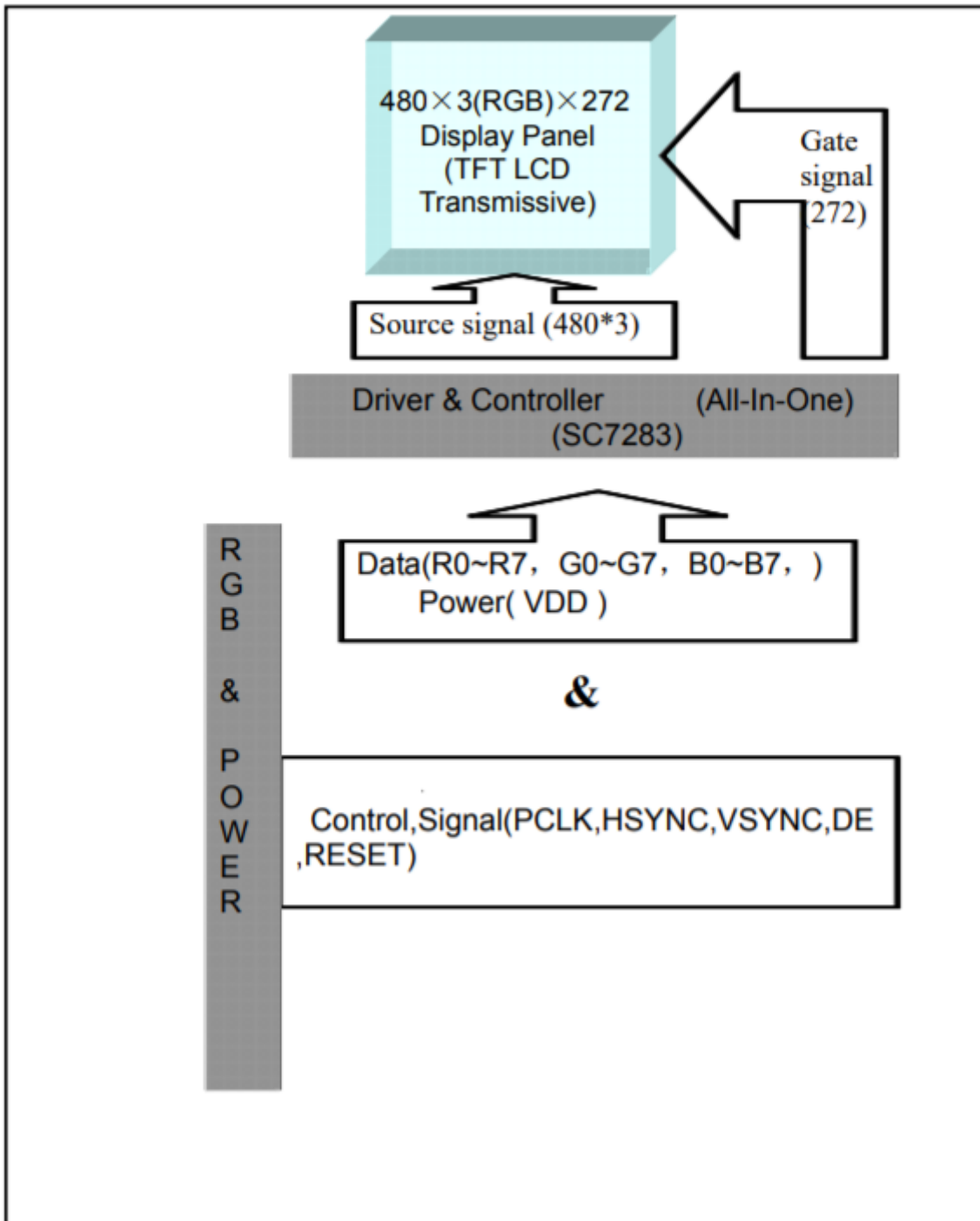


Figure 4. The definition of viewing angle





### 10. BLOCK DIAGRAM





## 11. INTERFACES DESCRIPTION

### 11.1 TFT assignment

| PIN NO. | SYMBOL | DESCRIPTION   |
|---------|--------|---|
| 1       | VLED-  | Backlight Power Input PIN Cathode                                     |
| 2       | VLED+  | Backlight Power Input PIN Anode                                       |
| 3       | GND    | Ground  |
| 4       | VDD    | Power Supply Voltage  |
| 5-12    | R0-R7  | Red Data  |
| 13-20   | G0-G7  | Green Data  |
| 21-28   | B0-B7  | Blue Data   |
| 29      | GND    | Ground  |
| 30      | DCLK   | Data Clock Signal   |
| 31      | DISP   | Standby Mode<br>DISP="1", Normal Operation<br>DISP="0", Standby Mode. |
| 32      | HSYNC  | Horizontal Synchronized Signal  |
| 33      | VSYNC  | Vertical Synchronized Signal  |
| 34      | DE     | Data Input Enable   |
| 35      | NC     | Not Connect   |
| 36      | GND    | Ground  |
| 37      | NC     | No Connection   |
| 38      | NC     | No Connection   |
| 39      | NC     | No Connection   |
| 40      | NC     | No Connection   |



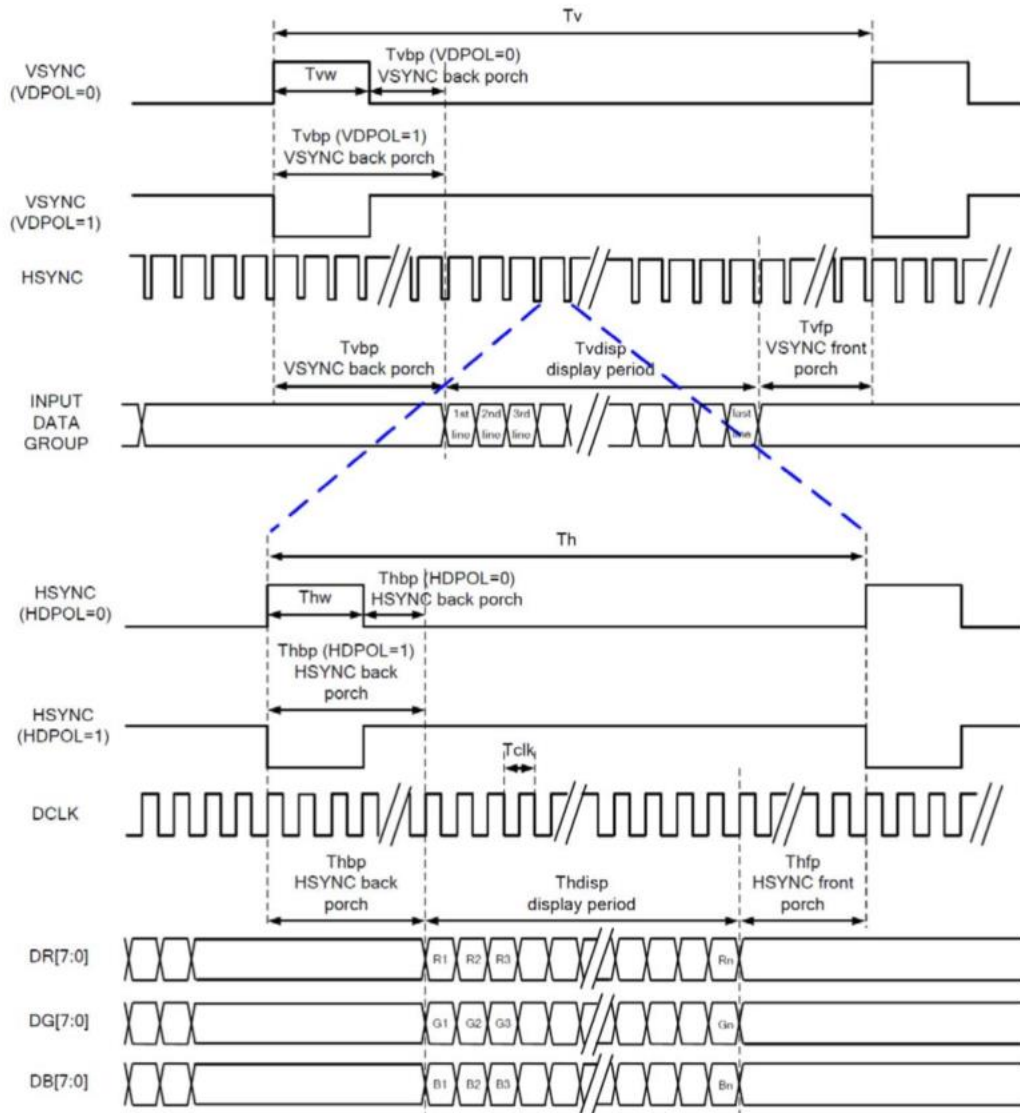
## 12. TIMING CHARACTERISTICS

| RGB MODE SELECTION | DCLK  | HSYNC | VSYNC | DE    |
|--------------------|-------|-------|-------|-------|
| SYNC-DE Mode       | Input | Input | Input | Input |
| SYNC Mode          | Input | Input | Input | GND   |
| DE Mode            | Input | GND   | GND   | Input |

**Note.** "Input" means these signals are driven by host side.

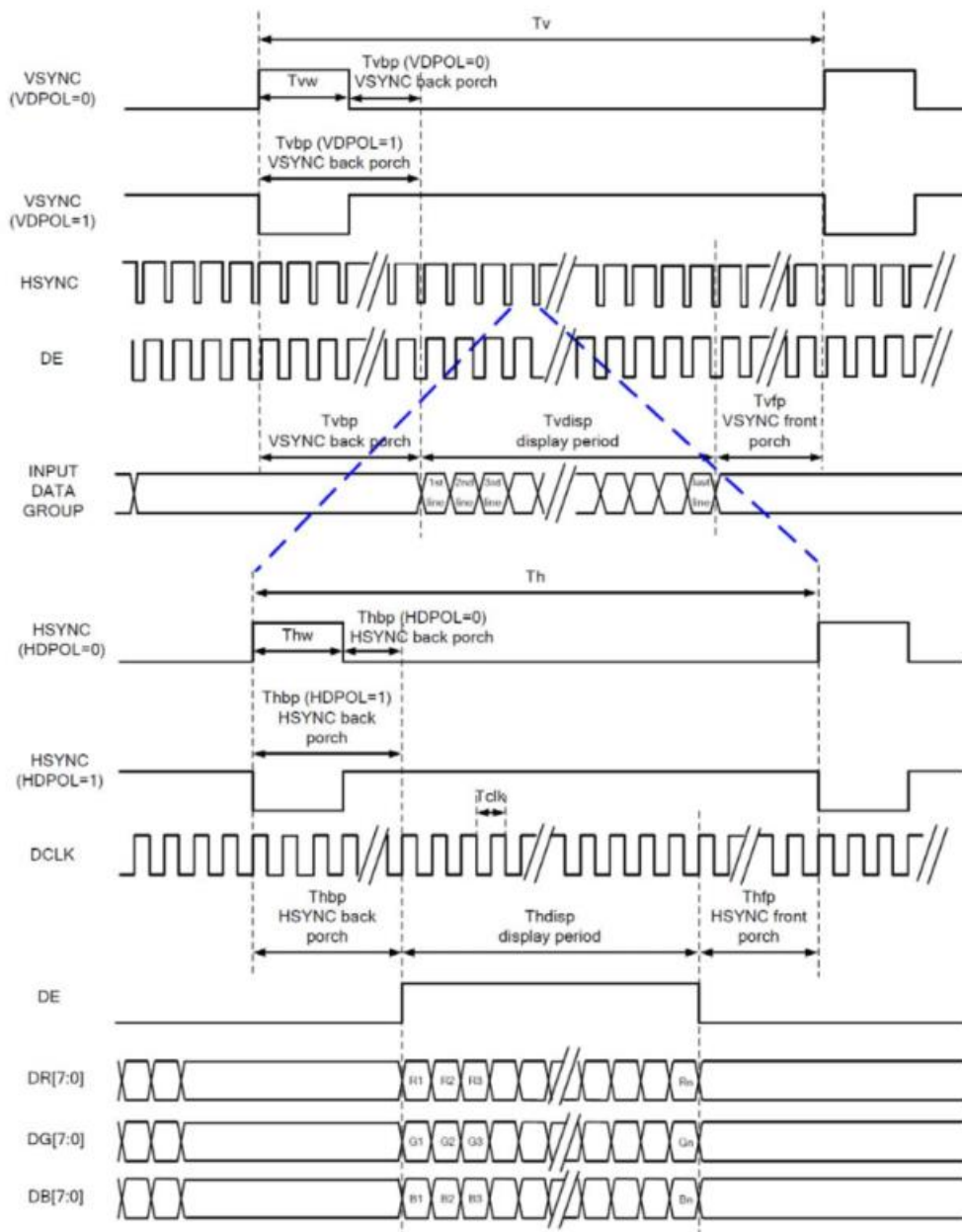
### 12.1 Timing diagram and input setup timing setting

#### 12.1.1 SYNC mode timing diagram



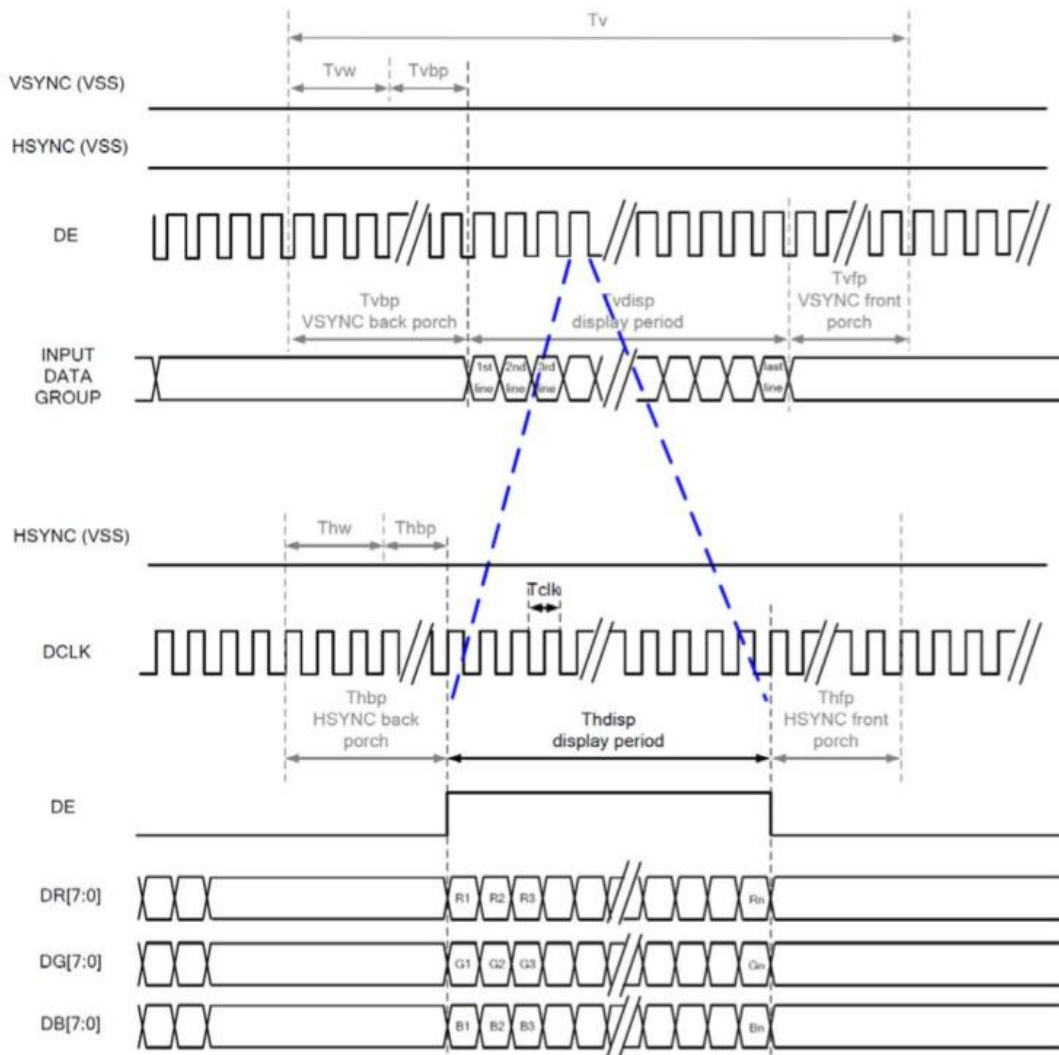


12.1.2 SYNC-DE mode timing diagram





12.1.3 DE mode timing diagram





## 12.2 Parallel 24-bit RGB input timing table

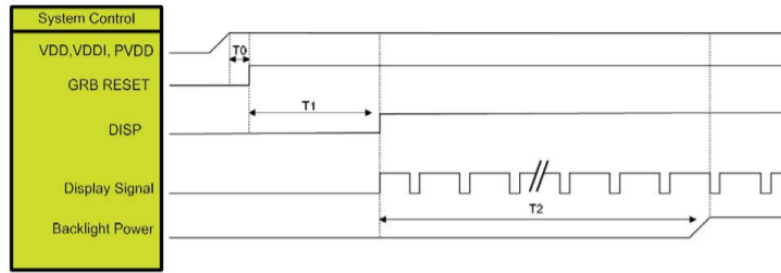
Parallel 24-bit RGB input Timing (PVDD=VDD=VDDI=3.3V,AGND=0V,Ta=25 °C)

| PARAMETER      | SYMBOL         | MIN    | TYP | MAX | UNIT | NOTE  |                       |
|----------------|----------------|--------|-----|-----|------|-------|-----------------------|
| DCLK Frequency | Fclk           | 8      | 9   | 12  | MHz  |       |                       |
| DCLK Period    | Tclk           | 83     | 111 | 125 | ns   |       |                       |
| HSYNC          | Period Time    | Th     | 485 | 531 | 598  | DCLK  |                       |
|                | Display Period | Thdisp | 480 |     |      |       |                       |
|                | Back Porch     | Thbp   | 3   | 43  | 43   |       | By H_BLANKING setting |
|                | Front Porch    | Thfp   | 2   | 8   | 75   |       |                       |
|                | Pulse Width    | Thw    | 2   | 4   | 43   |       |                       |
| VSYNC          | Period Time    | Tv     | 276 | 292 | 321  | HSYNC |                       |
|                | Display Period | Tvdisp | 272 |     |      |       |                       |
|                | Back Porch     | Tvbp   | 2   | 12  | 12   |       | By V_BLANKING setting |
|                | Front Porch    | Tvfp   | 2   | 8   | 37   |       |                       |
|                | Pulse Width    | Tvw    | 2   | 4   | 12   |       |                       |

**Note.** It's necessary to keep Tvbp=12 and Thbp=43 in sync mode. DE mode is unnecessary to keep it.

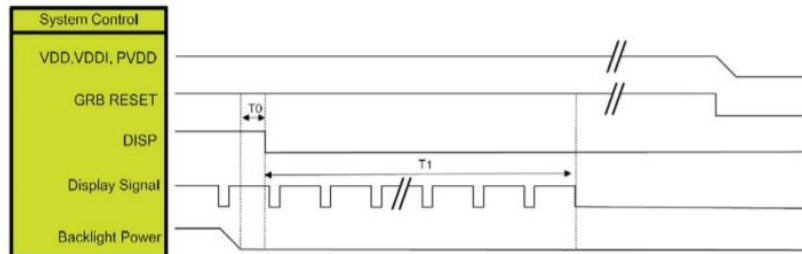
## 12.3 Power ON/OFF sequence

### 12.3.1 Power on sequence



| SYMBOL | DESCRIPTION                                 | MIN. TIME | UNIT |
|--------|---|-----------|------|
| T0     | System power stability to GRB RESET signal  | 0         | ms   |
| T1     | GRB RESET=" High " to DISP="High "          | 10        |      |
| T2     | Display Signal output to Backlight Power on | 250       |      |

### 12.3.2 Power off sequence



| SYMBOL | DESCRIPTION   | MIN. TIME | UNIT |
|--------|---|-----------|------|
| T0     | Backlight Power off to DISP=" Low "                     | 5         | ms   |
| T1     | DISP =" Low " to IC internal voltage discharge complete | 80        | ms   |



## 13. INSPECTION

Standard acceptance/rejection criteria for TFT module

### 13.1 Inspection condition

Ambient conditions:

- Temperature:  $25 \pm 2^{\circ}\text{C}$
- Humidity:  $(60 \pm 10) \%RH$
- Illumination: Single fluorescent lamp non-directive (300 to 700 lux)

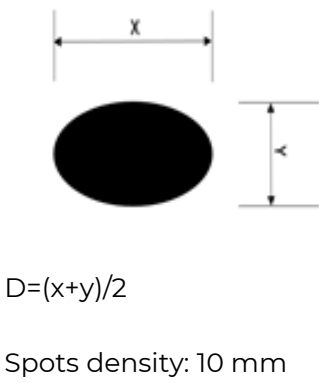
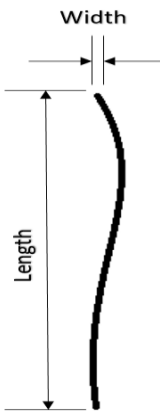
Viewing distance:  $35 \pm 5\text{cm}$  between inspector bare eye and LCD.

Viewing Angle: U/D:  $45^{\circ}/45^{\circ}$ , L/R:  $45^{\circ}/45^{\circ}$





13.2 Inspection standard

| ITEM   |  | CRITERION                                 |                      |               |
|--|--|---|----------------------|---------------|
| Black spots, white spots, light leakage, Foreign Particle (round Type) |  <p><math>D=(x+y)/2</math><br/>Spots density: 10 mm</p> | 3.5" ≤ Size ≤ 5"                          |                      |               |
|  |  | Average Diameter                          | Qualified Qty        |               |
|  |  | $D \leq 0.15$ mm                          | Ignored              |               |
|  |  | $0.15 \text{ mm} < D \leq 0.3 \text{ mm}$ | N≤3                  |               |
|  |  | $0.3 \text{ mm} < D$                      | Not allowed          |               |
| LCD black spots, white spots, light leakage (line Type)                |  <p>Spots density: 10 mm</p>                           | 3.5" ≤ Size ≤ 5"                          |                      |               |
|  |  | Length                                    | Width                | Qualified Qty |
|  |  | -   | $W \leq 0.03$        | Ignored       |
|  |  | $L \leq 3.0$                              | $0.03 < W \leq 0.05$ | 2             |
|  |  | $L \leq 3.0$                              | $0.05 < W \leq 0.1$  | 1             |
| Bright/Dark Dots   | 3.5" ≤ Size ≤ 5"   |   |                      |               |
|  | Item   | Qualified Qty                             |                      |               |
|  | Bright dots  | N ≤ 1                                     |                      |               |
|  | Dark dots  | N ≤ 2                                     |                      |               |
| Total Bright and Dark Dots   |  | N ≤ 3                                     |                      |               |
| Clear spots  | Size < 5"  |   |                      |               |
|  | Average Diameter   | Qualified Qty                             |                      |               |
|  | $D < 0.2$ mm   | Ignored                                   |                      |               |
|  | $0.2 \text{ mm} < D < 0.3 \text{ mm}$  | 3   |                      |               |
|  | $0.3 \text{ mm} < D < 0.5 \text{ mm}$  | 2   |                      |               |
| $0.5 \text{ mm} < D$   | 0  |   |                      |               |
| Spots density: 10 mm   |  |   |                      |               |
| Polarizer bubbles  | 3.5" ≤ Size ≤ 5"   |   |                      |               |
|  | Average Diameter   | Qualified Qty                             |                      |               |
|  | $D \leq 0.2$ mm  | Ignored                                   |                      |               |
|  | $0.2 \text{ mm} < D \leq 0.3 \text{ mm}$   | 2   |                      |               |
|  | $0.3 \text{ mm} < D \leq 0.5 \text{ mm}$   | 1   |                      |               |
|  | $0.5 \text{ mm} < D$   | 0   |                      |               |
| Total Q'ty   |  | 3   |                      |               |



## 14. RELIABILITY TEST

| NO. | TEST ITEM                           | TEST CONDITION   | NOTE   |
|-----|-------------------------------------|--|--------|
| 1   | High Temperature Storage            | 80°C/120 hours   | Note 1 |
| 2   | Low Temperature Storage             | -30°C/120 hours  |        |
| 3   | High Temperature Operating          | 70 °C /120 hours   |        |
| 4   | Low Temperature Operating           | -20°C/120 hours  |        |
| 5   | High Temperature and High Humidity  | Humidity 40°C, 90%RH, 120Hrs   |        |
| 6   | Thermal Cycling Test (No operation) | -20°C for 30min, 70°C for 30 min.<br>100 cycles. Then test at room temperature after 1 hour  | Note 2 |
| 7   | Vibration Test                      | Frequency: 10 ÷ 55 Hz.<br>Stroke: 1.5 mm.<br>Sweep: 10Hz ÷ 55Hz ÷ 10 Hz.<br>2 hours for each direction of X, Y, Z<br>(Total 6 hours) |        |
| 8   | Package Drop Test                   | Height: 60 cm<br>1 corner, 3 edges, 6 surfaces   |        |

**Note 1.** Sample quantity for each test item is 5 ÷ 10 pcs.

**Note 2.** Before cosmetic and function test, the product must have enough recovery time, at least 2 hours at room temperature.



## 15. LEGAL INFORMATION

Riverdi grants the guarantee for the proper operation of the goods for a period of 12 months from the date of possession of the goods. If in a consequence of this guaranteed execution the customer has received the defects-free item as replacement for the defective item, the effectiveness period of this guarantee shall start anew from the moment the customer receives the defects-free item.

Information about device is the property of Riverdi and may be the subject of patents pending or granted. It is not allowed to copy or disclosed this document without prior written permission.

Riverdi endeavors to ensure that all contained information in this document is correct but does not accept liability for any error or omission. Riverdi products are in developing process and published information may be not up to date. Riverdi reserves the right to update and makes changes to Specifications or written material without prior notice at any time. It is important to check the current position with Riverdi.

Images and graphics used in this document are only for illustrative the purpose. All images and graphics are possible to be displayed on the range products of Riverdi, however the quality may vary. Riverdi is no liable to the buyer or to any third party for any indirect, incidental, special, consequential, punitive or exemplary damages (including without limitation lost profits, lost savings, or loss of business opportunity) relating to any product, service provided or to be provided by Riverdi, or the use or inability to use the same, even if Riverdi has been advised of the possibility of such damages.

Riverdi products are not fault tolerant nor designed, manufactured or intended for use or resale as on line control equipment in hazardous environments requiring fail-safe performance, such as in the operation of nuclear facilities, aircraft navigation or communication systems, air traffic control, direct life support machines or weapons systems in which the failure of the product could lead directly to death, personal injury or severe physical or environmental damage ('High-Risk Activities'). Riverdi and its suppliers specifically disclaim any expressed or implied warranty of fitness for High-Risk Activities. Using Riverdi products and devices in 'High-Risk Activities' and in any other application is entirely at the buyer's risk, and the buyer agrees to defend, indemnify and hold harmless Riverdi from all damages, claims or expenses resulting from such use. No licenses are conveyed, implicitly or otherwise, under any Riverdi intellectual property rights.

Hi, I am here to help you!  
If you have any additional  
questions, please contact  
our support via email:  
[contact@riverdi.com](mailto:contact@riverdi.com)

