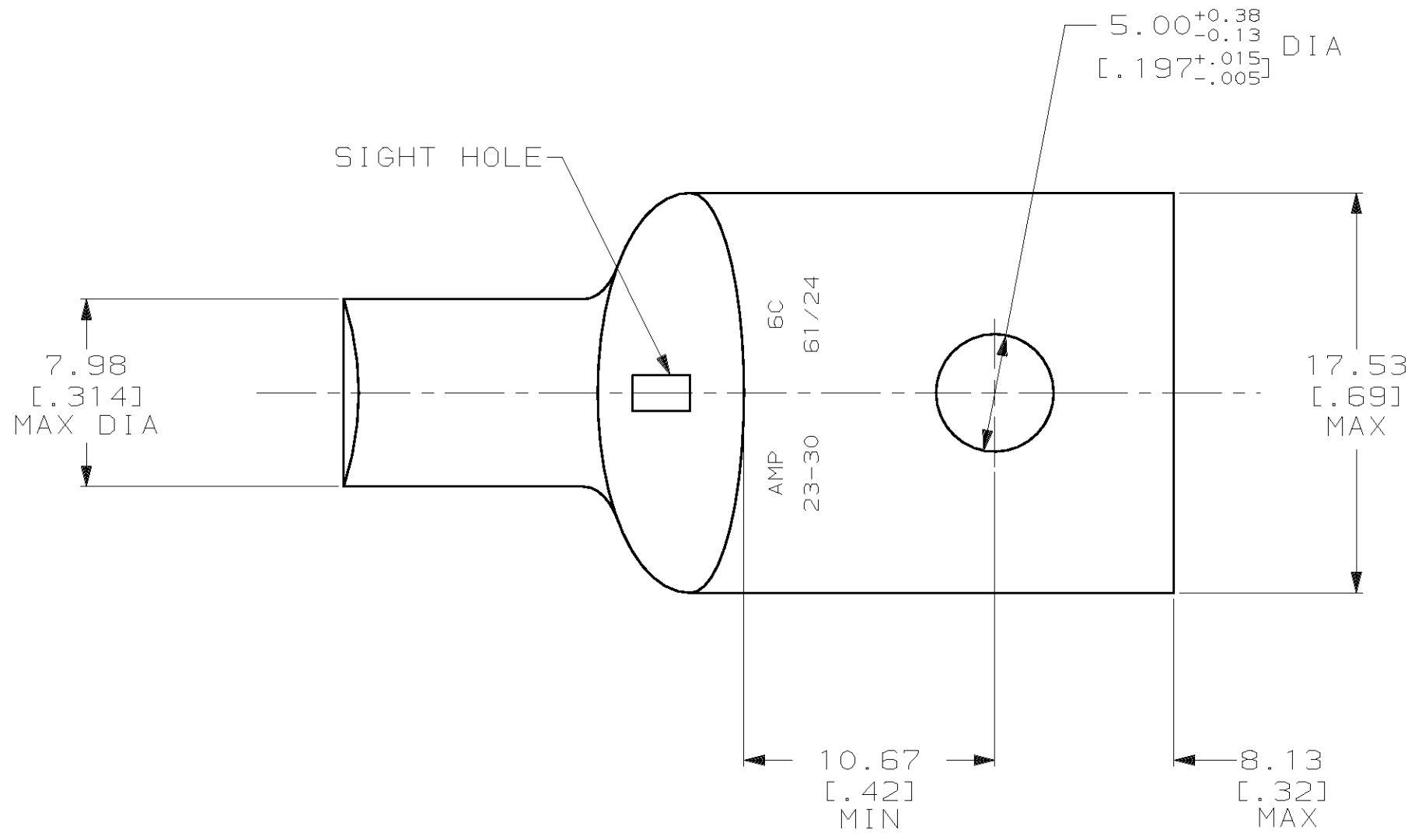
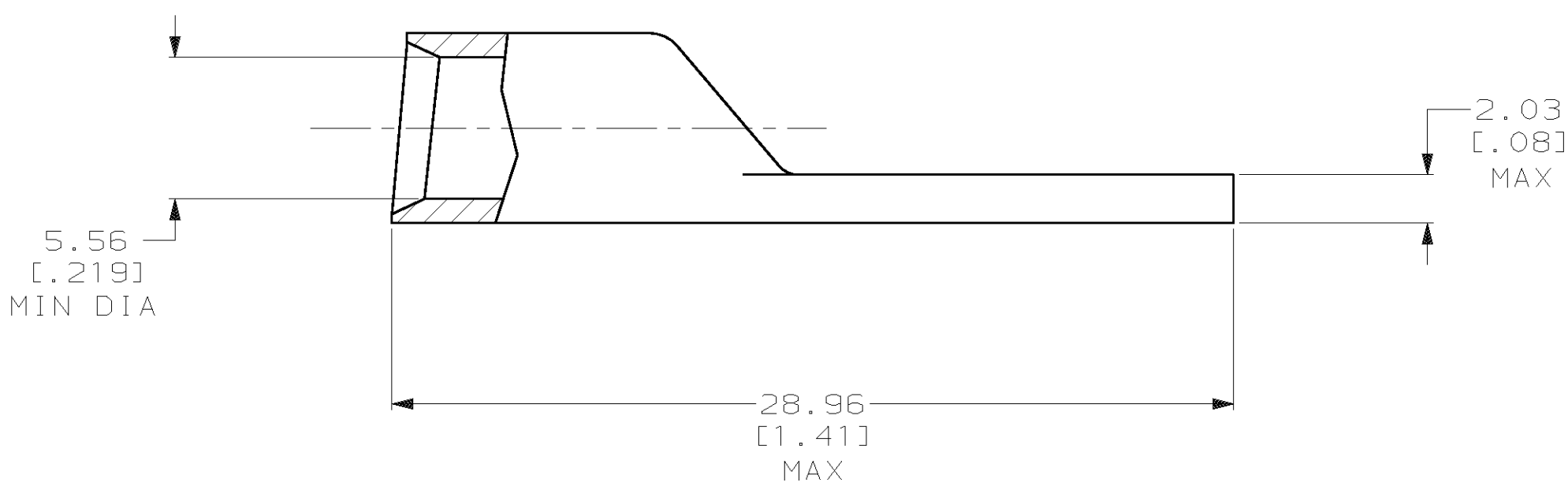


THIS DRAWING IS UNPUBLISHED. RELEASED FOR PUBLICATION
 © COPYRIGHT 19 BY AMP INCORPORATED. ALL INTERNATIONAL RIGHTS RESERVED.

LOC		DIST		P		F		ZONE		LTR		REVISIONS		DATE	APPD
G		86								T		REV / 0G10-0059-99		26APR99	ME/TM



1 CIRCULAR MIL AREA RANGE: 20,800-33,100 CM
 2 TIN PL 0.00381 [0.00150] MIN THK PER ASTM B 545



METRIC

DO NOT SCALE PRINT. UNLESS SPECIFIED DIMENSIONS IN mm [INCHES] TOLERANCES ON: 2 PLC DEC ± 0.51 [0.020] 3 PLC DEC ± - ANGLES ± -		DR 03/09/90 DK SCHRUM		328141 PART NO	
MATERIAL ANNEALED COPPER ASTM B-152		CHK 19JAN95 MS FEHER		AMP INCORPORATED Harrisburg, Pa. 17105	
FINISH △		APPD 19JAN95 WJ VOCKROTH		NAME TERMINAL, AMPPOWER™, WIRE SIZE: 6 AWG	
APPLICATION SPEC -		APPD 19JAN95 TL SHUTTER		DRAWING NO 328141	
WEIGHT .016 LB		PRODUCT SPEC 108-30200		SIZE C	
		SCALE 4:1		CAGE CODE 00779	
				SHEET 1 OF 1	