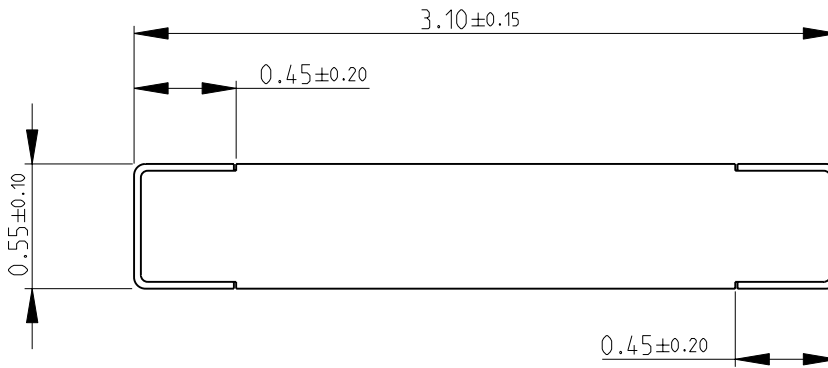
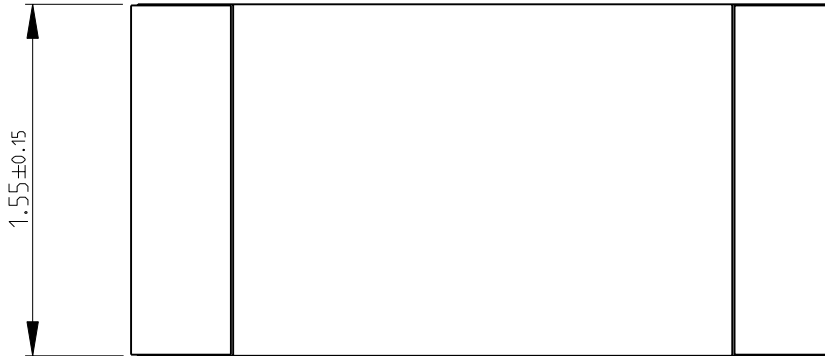
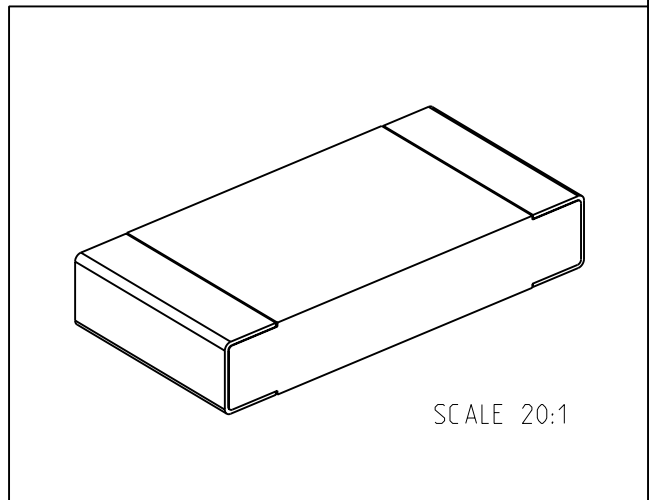


LOC	DIST	REVISIONS					
E	B	P	LTR	DESCRIPTION	DATE	DWN	APVD
			BA	NEW RELEASE	25-NOV-09	MRS	St.P

FOR FURTHER INFORMATION SEE DATA SHEET FOR
CRG SERIES-THICK FILM CHIP RESISTORS



RoHS Compliant



2009

RELEASED FOR PUBLICATION

THIS DRAWING IS UNPUBLISHED.

BY TYCO ELECTRONICS CORPORATION. ALL RIGHTS RESERVED.

© COPYRIGHT 2009

DIMENSIONS:	DWN	25-NOV-09	MATERIAL	FINISH		
mm	MAHARUDRA		-	-		
TOLERANCES UNLESS OTHERWISE SPECIFIED:	CHK	25-NOV-09	Tyco Electronics Corporation Dorcan, Swindon, SN3 5HH			
0 PLC ±0.5	ALLAN.P					
1 PLC ±0.2	APVD	25-NOV-09	NAME THICK FILM CHIP RESISTORS SERIES CRG 1206			
2 PLC ±0.1	STEPHEN.P					
3 PLC ±-	PRODUCT SPEC		SIZE	CAGE CODE	DRAWING NO	RESTRICTED TO
4 PLC ±-	APPLICATION SPEC		A 4	00779	© = 1623546	-
ANGLES ±5°	WEIGHT		CUSTOMER DRAWING			
			SCALE	SHEET	OF	REV
			30:1	1	1	BA