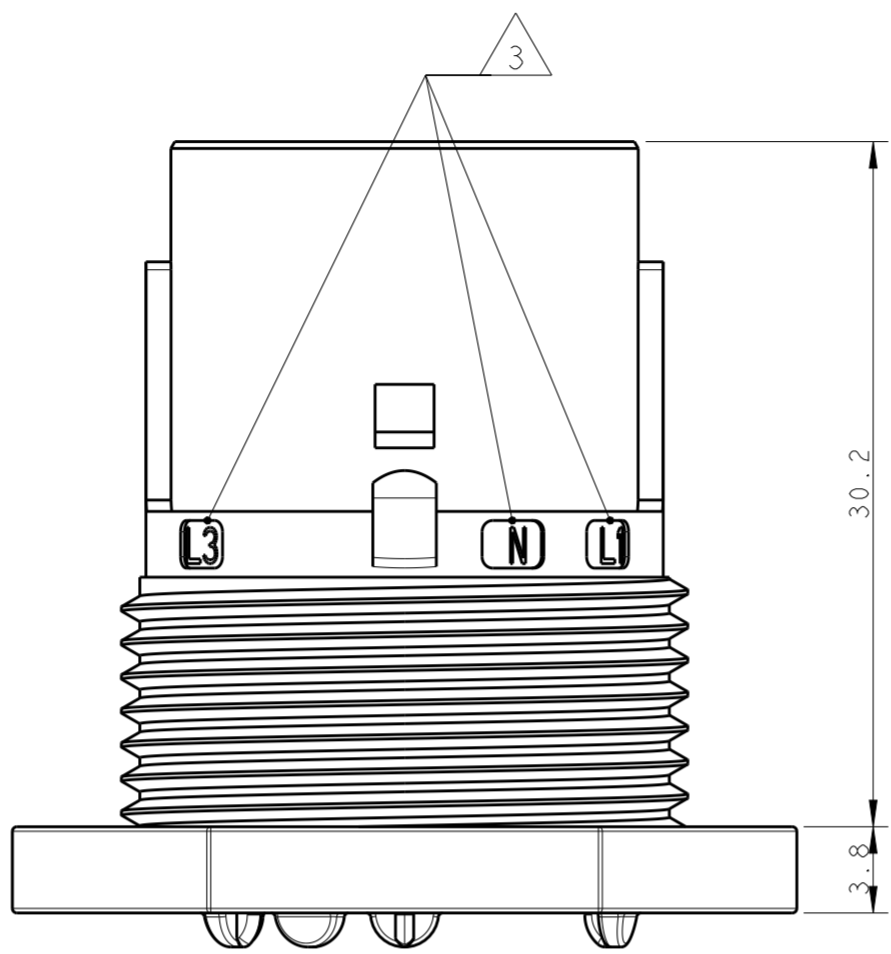
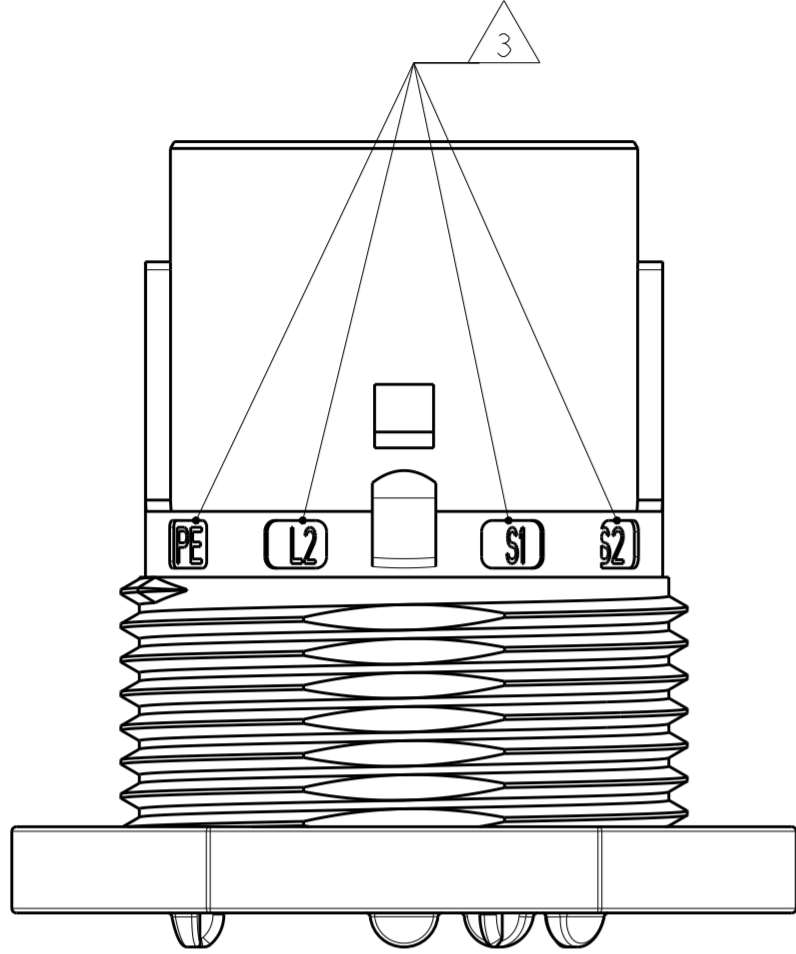
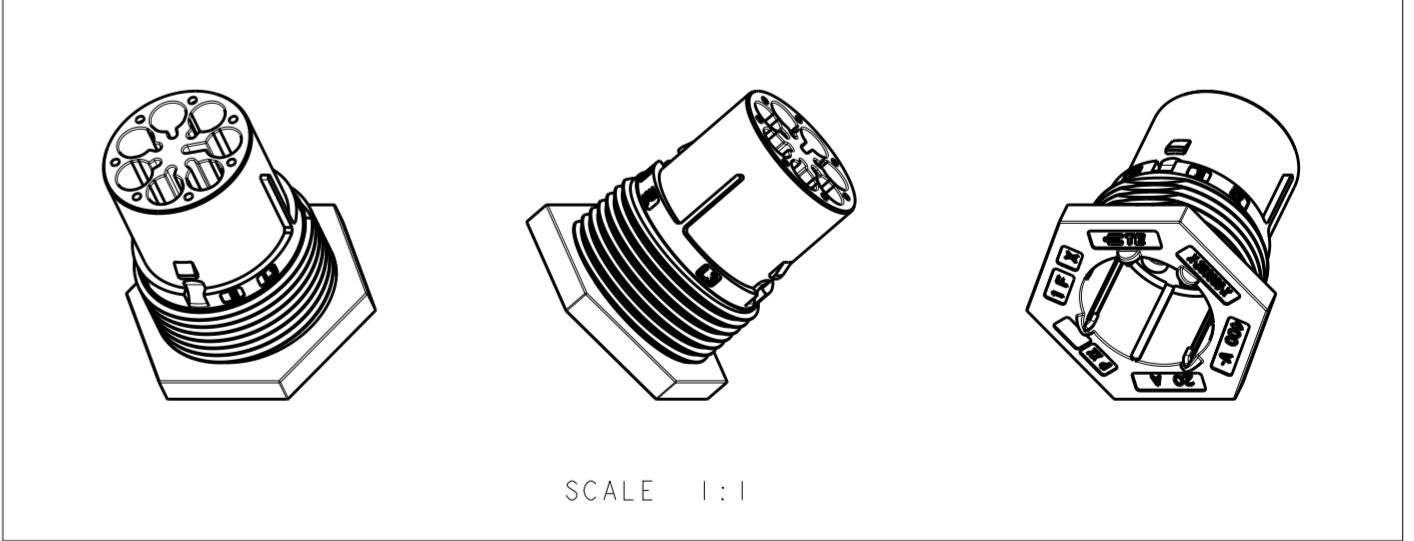
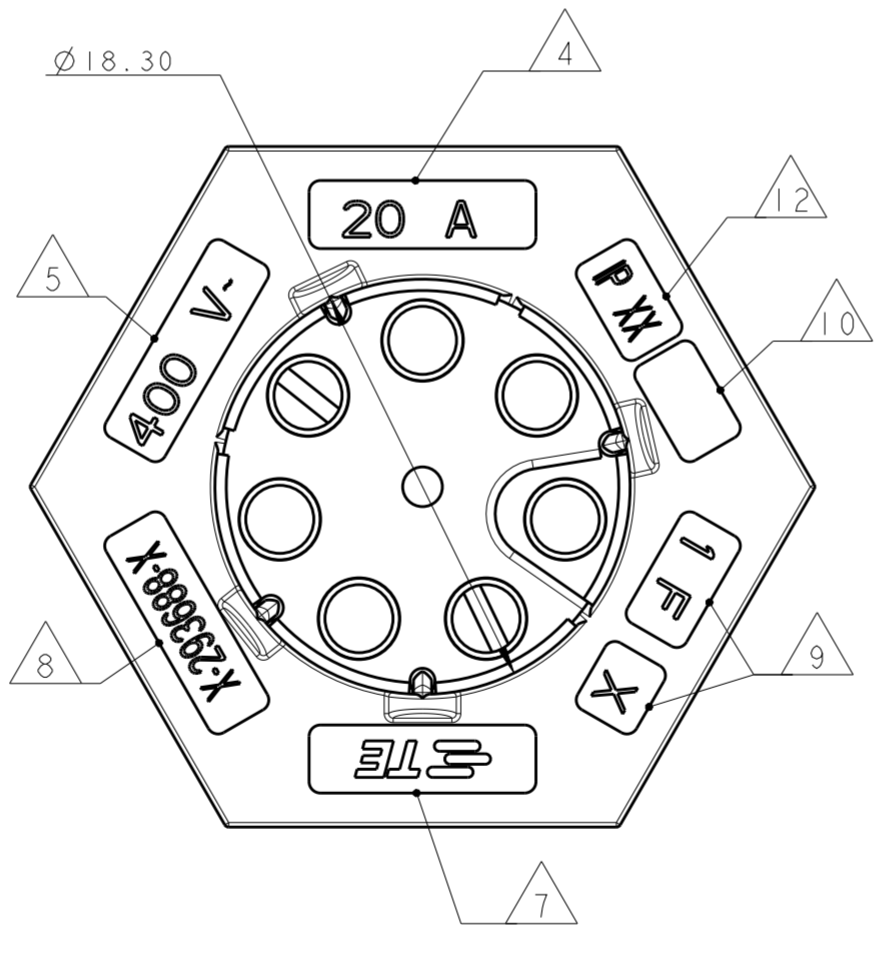
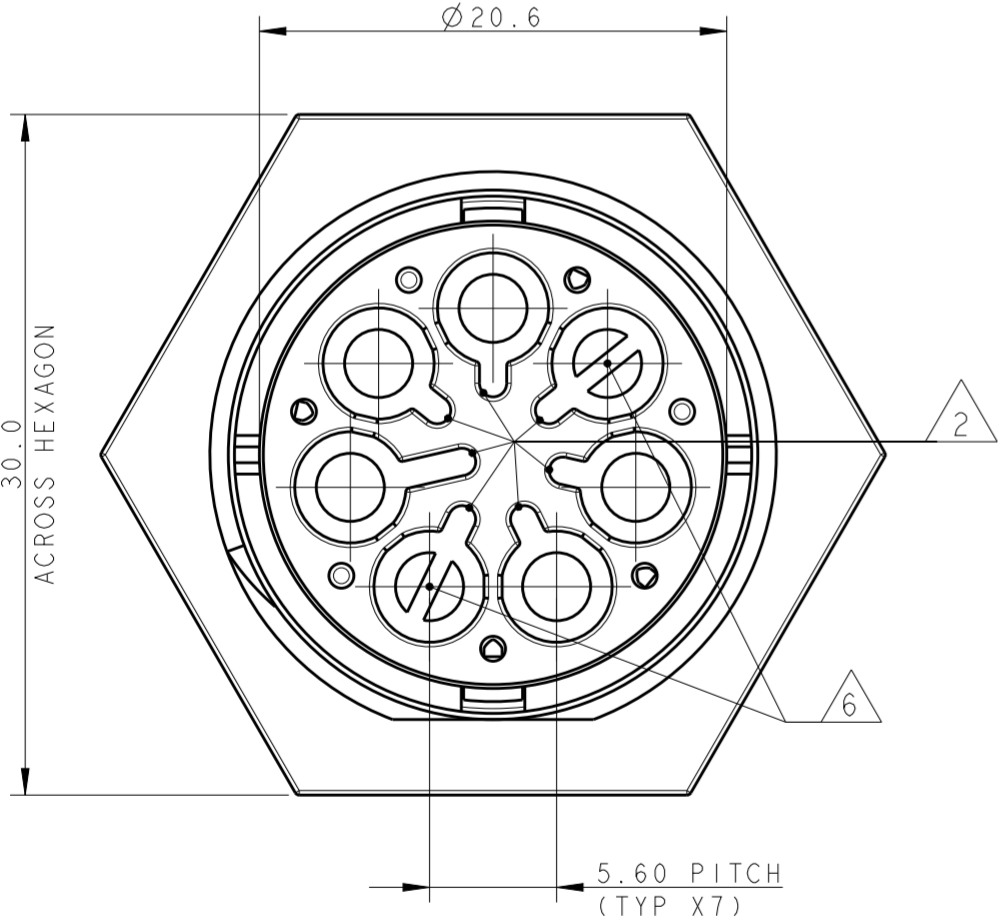


THIS DRAWING IS UNPUBLISHED. RELEASED FOR PUBLICATION 2011
 © COPYRIGHT 2011 ALL RIGHTS RESERVED.

LOC	DIST	REVISIONS			
P	LTR	DESCRIPTION	DATE	DWN	APVD
5		UPDATED	22JUL2013	MZ	JC
6		REVISED LATCH SHAPE	09AUG2013	KR	JC
A		PARTS RELEASED FOR PRODUCTION	13NOV2013	MZ	JC
AI		ECR-18-006945	30MAY2018	SR	MZ



- NOTES:**
- 1 MATERIAL: PA GF (NATURAL AND BLACK COLOUR)
 - 2 ALL POLARIZATION KEYS SHOWN FOR REF ONLY
 - 3 WAYS I.D.
 - 4 CURRENT RATING
 - 5 VOLTAGE RATING
 - 6 RIB CLOSING CAVITIES BY CHANGE OVER
 - 7 TE LOGO
 - 8 TE PART NUMBER
 - 9 DATA CODE AND CAVITY I.D.
 - 10 AREA FOR AGENCIES APPROVAL LOGO
- 11) SEE C-DRAWING 293682 (LOCKING CAP) TO GET IP 40
- 12 IP CODE
 - 13 POLARISATION KEY "TYPE D" SUITABLE FOR DALI APPLICATION



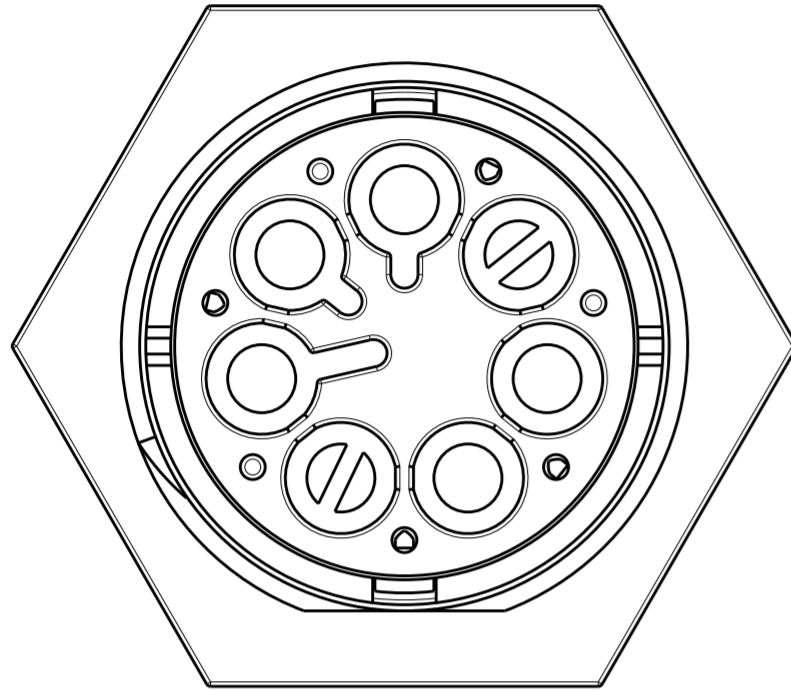
THIS DRAWING IS A CONTROLLED DOCUMENT.		DWN: M. ZUCCA 01APR2011	STE TE Connectivity		
		CHK: M. ZUCCA 01APR2011			
DIMENSIONS: mm		APVD: G. TURCO 01APR2011	NAME: PIN HOUSING PANEL MOUNT NECTOR* M-LINE 5 POLES UNSEALED VERSION		
TOLERANCES UNLESS OTHERWISE SPECIFIED:		PRODUCT SPEC: -			
0 PLC ±-		APPLICATION SPEC: -	SIZE: A2	CAGE CODE: 0779	DRAWING NO: C-293688
1 PLC ±0.3		WEIGHT: -	RESTRICTED TO: -		
2 PLC ±0.20		Customer Drawing			
3 PLC ±-		SCALE 3:1 SHEET 1 OF 3 REV AI			
4 PLC ±-					
ANGLES ±3°					
FINISH					

THIS DRAWING IS UNPUBLISHED. RELEASED FOR PUBLICATION 2011
 © COPYRIGHT 2011 ALL RIGHTS RESERVED.

LOC		DIST		REVISIONS			
P	LTR	DESCRIPTION	DATE	DWN	APVD		
-	-	SEE SHEET 1	-	-	-		

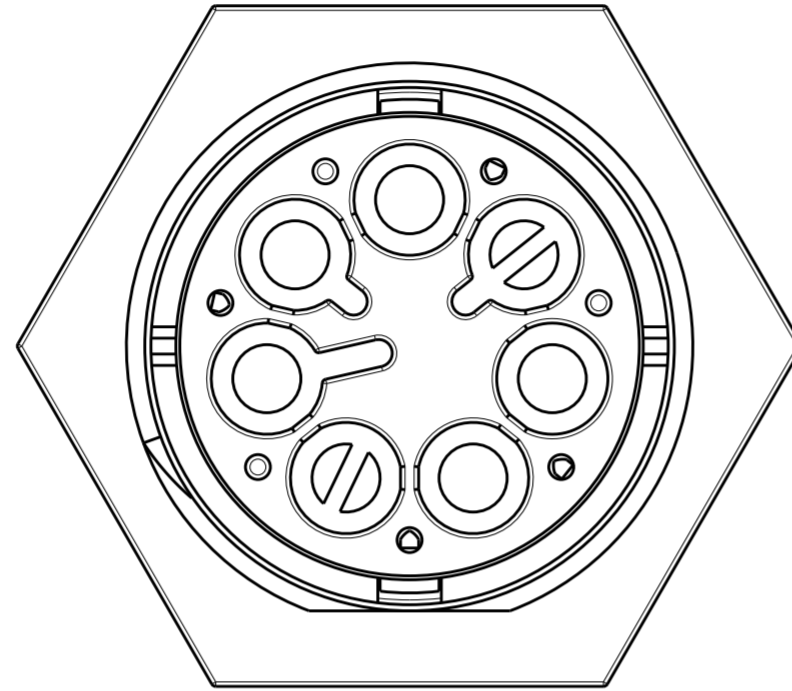
POLARIZATION TYPES

POLARIZATION TYPE "A"



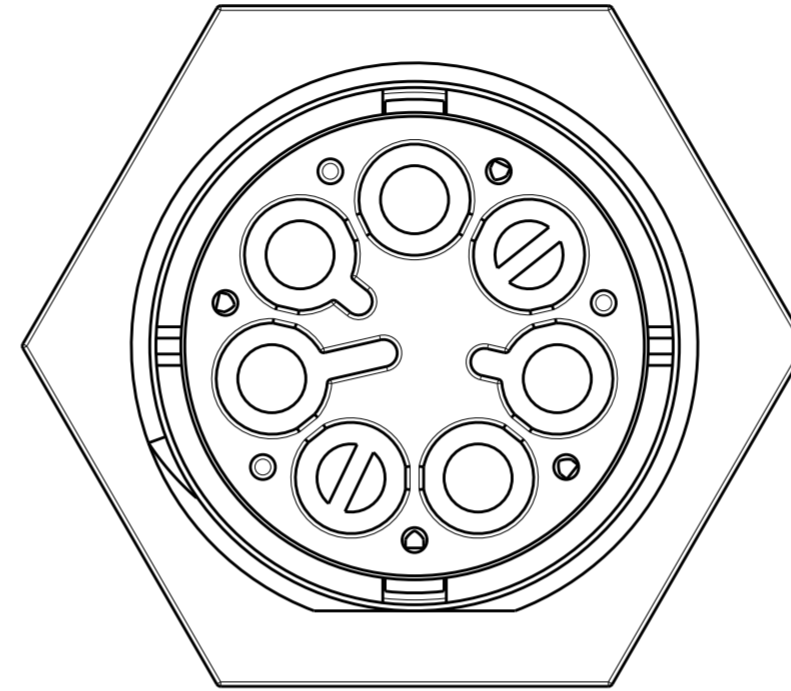
PNs 0-293688-1 AND
1-293688-1

POLARIZATION TYPE "B"



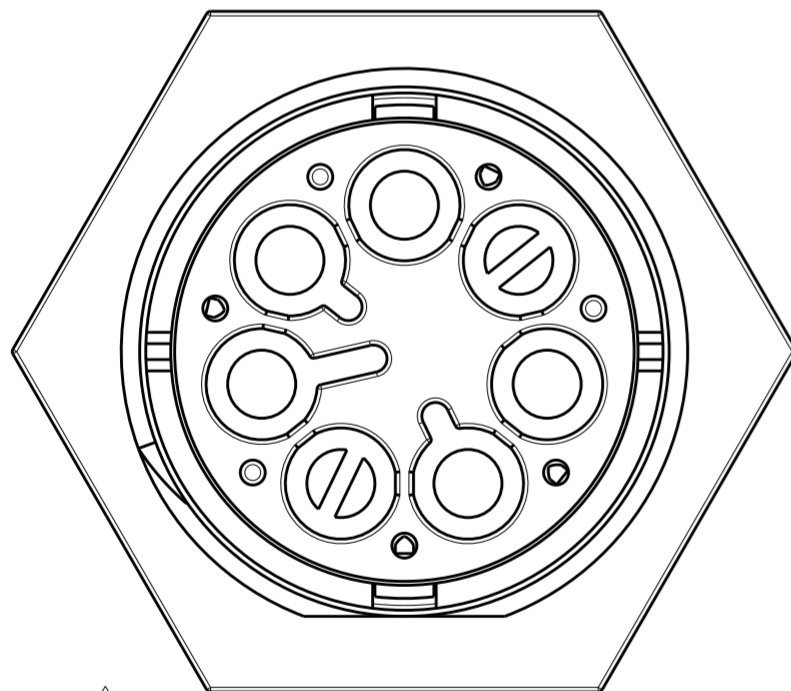
PNs 0-293688-2 AND
1-293688-2

POLARIZATION TYPE "C"



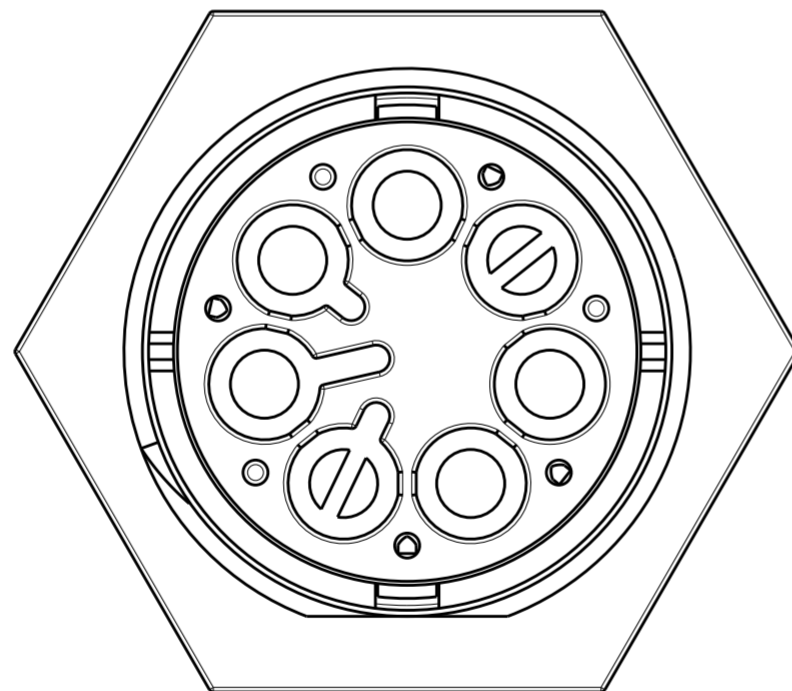
PNs 0-293688-3 AND
1-293688-3

POLARIZATION TYPE "D"



~~PNs 0-293688-4 AND
1-293688-4~~

POLARIZATION TYPE "E"



~~PNs 0-293688-5 AND
1-293688-5~~

TABLE 1

NOTE	POL. KEYING	COLOUR	DESCRIPTION	REV.	P/N	
OBSOLETE		E	BLACK	PIN HSG 5 POLES PANEL MOUNT NECTOR* M-LINE	A	1-293688-5
		D	BLACK	PIN HSG 5 POLES PANEL MOUNT NECTOR* M-LINE	A	1-293688-4
		C	BLACK	PIN HSG 5 POLES PANEL MOUNT NECTOR* M-LINE	A	1-293688-3
		B	BLACK	PIN HSG 5 POLES PANEL MOUNT NECTOR* M-LINE	A	1-293688-2
		A	BLACK	PIN HSG 5 POLES PANEL MOUNT NECTOR* M-LINE	A	1-293688-1
OBSOLETE		E	NATURAL	PIN HSG 5 POLES PANEL MOUNT NECTOR* M-LINE	A	0-293688-5
		D	NATURAL	PIN HSG 5 POLES PANEL MOUNT NECTOR* M-LINE	A	0-293688-4
		C	NATURAL	PIN HSG 5 POLES PANEL MOUNT NECTOR* M-LINE	A	0-293688-3
		B	NATURAL	PIN HSG 5 POLES PANEL MOUNT NECTOR* M-LINE	A	0-293688-2
		A	NATURAL	PIN HSG 5 POLES PANEL MOUNT NECTOR* M-LINE	A	0-293688-1

THIS DRAWING IS A CONTROLLED DOCUMENT.

DWN	M. ZUCCA	01APR2011
CHK	M. ZUCCA	01APR2011
APVD	G. TURCO	01APR2011

STE TE Connectivity

NAME: PIN HOUSING PANEL MOUNT
NECTOR* M-LINE 5 POLES
UNSEALED VERSION

SIZE: A2 CAGE CODE: 0779 DRAWING NO: C-293688

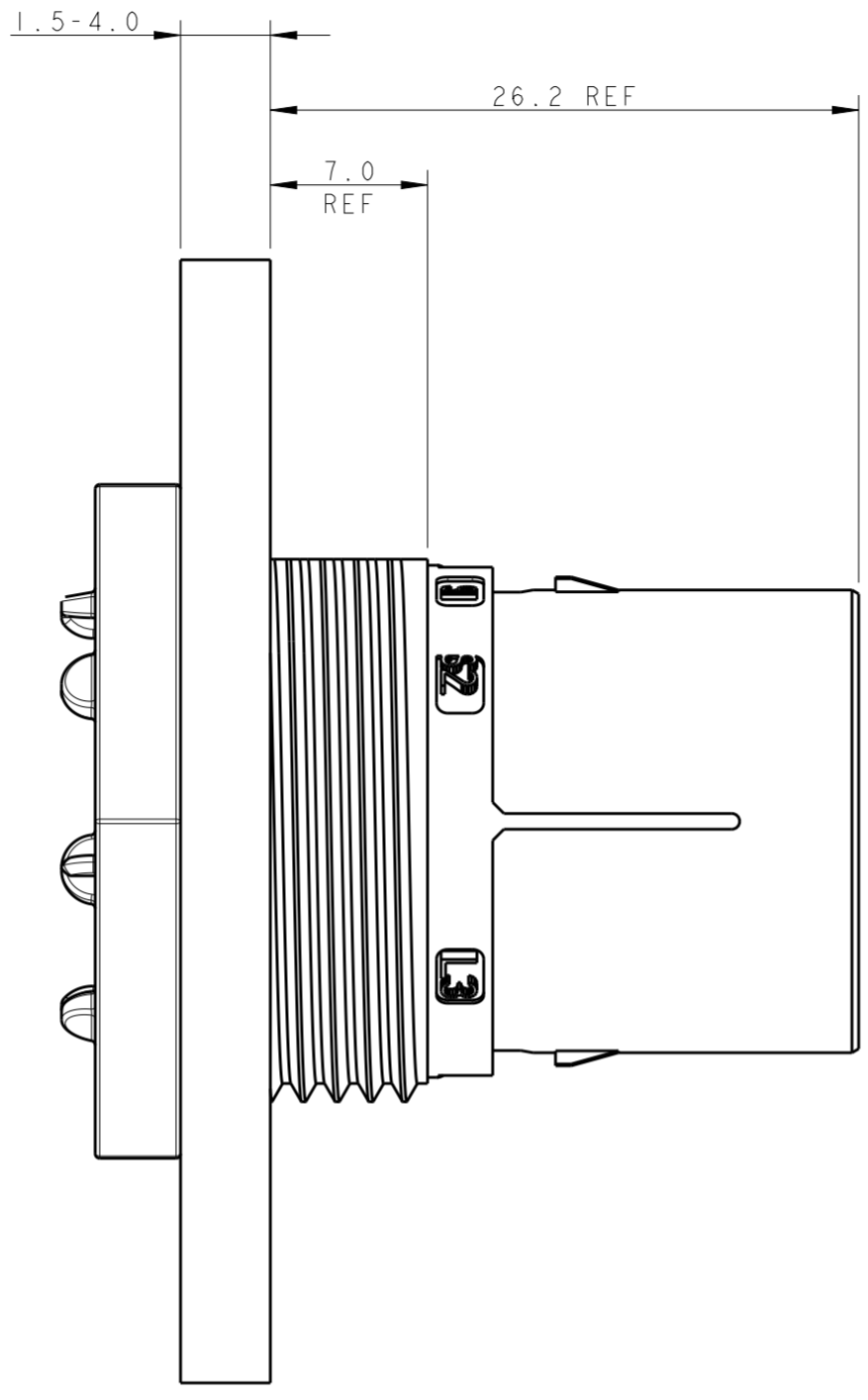
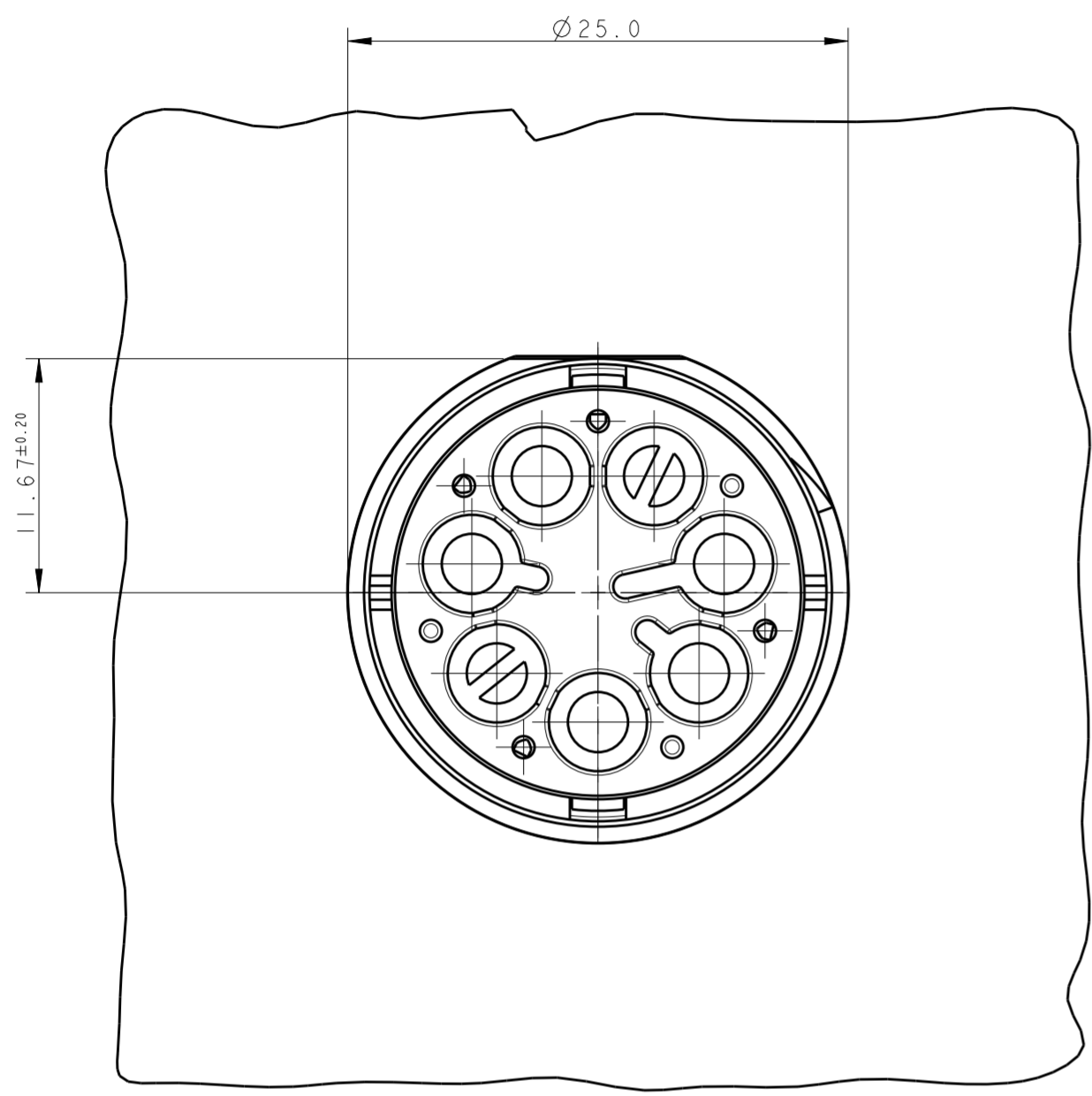
SCALE: 3:1 SHEET 2 OF 3 REV: A1

Customer Drawing

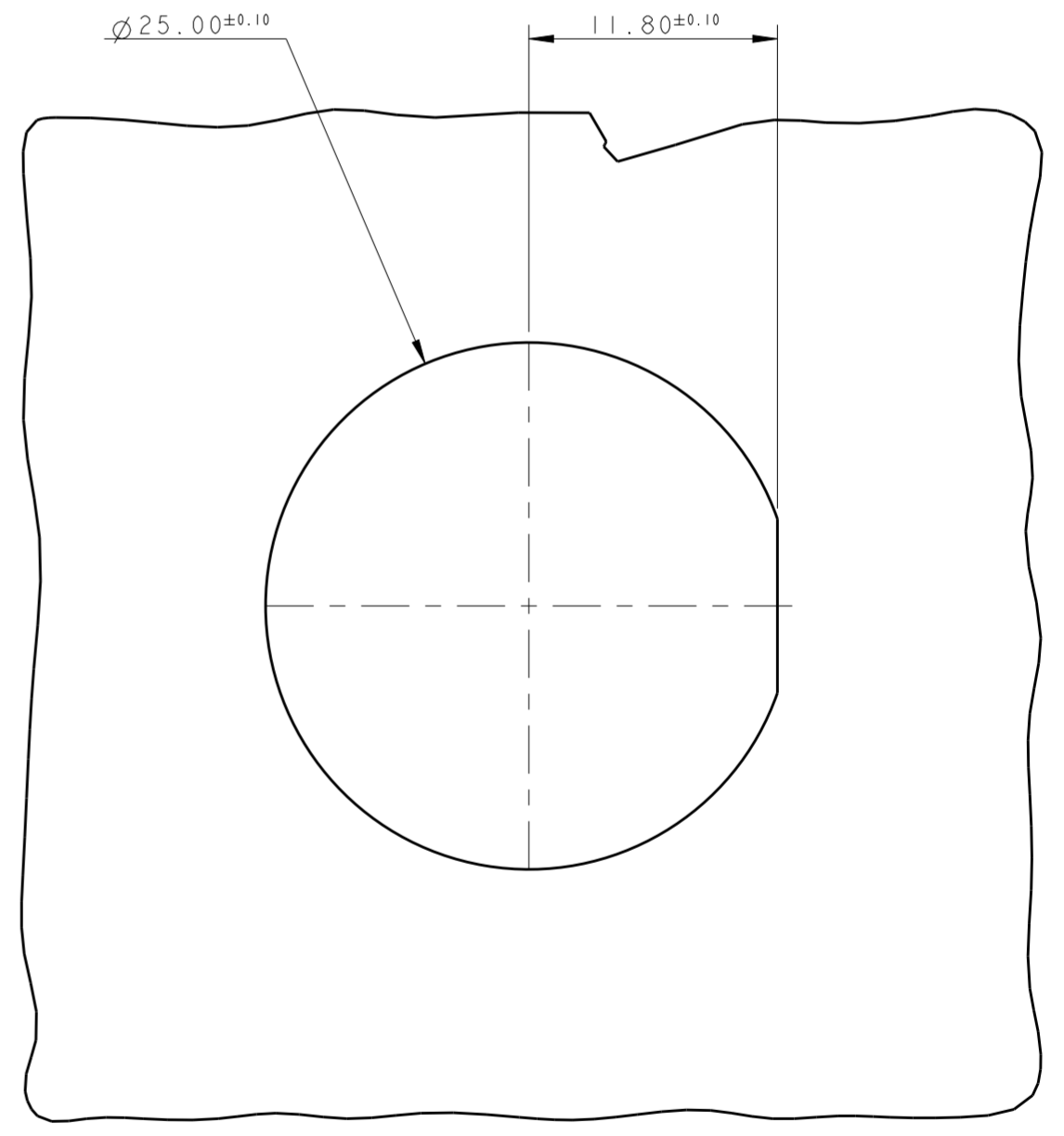
DIMENSIONS:	TOLERANCES UNLESS OTHERWISE SPECIFIED:
mm	0 PLC ±
	1 PLC ±0.3
	2 PLC ±0.20
	3 PLC ±
	4 PLC ±
	ANGLES ±3°
MATERIAL:	FINISH

THIS DRAWING IS UNPUBLISHED. RELEASED FOR PUBLICATION 2011
 © COPYRIGHT 2011 ALL RIGHTS RESERVED.

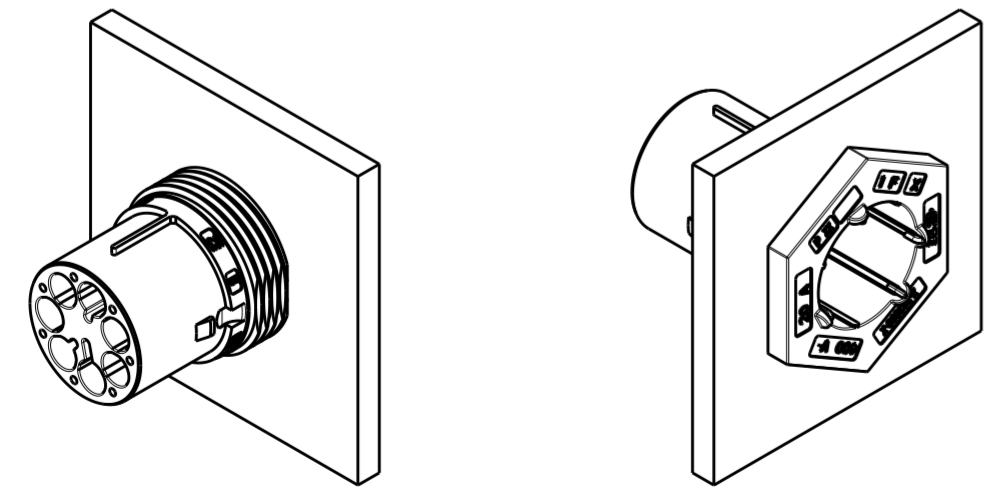
LOC	DIST	REVISIONS			
P	LTR	DESCRIPTION	DATE	DWN	APVD
-	-	SEE SHEET 1	-	-	-




PANEL/WALL SUGGESTED LAYOUT



3D VIEWS FOR REFERENCE ONLY
 PN 293688-1 AS SHOWN



SCALE 1:1

THIS DRAWING IS A CONTROLLED DOCUMENT.		DWN M. ZUCCA 01APR2011	 TE Connectivity	
DIMENSIONS: mm		CHK M. ZUCCA 01APR2011		
TOLERANCES UNLESS OTHERWISE SPECIFIED:		APVD G. TURCO 01APR2011	NAME PIN HOUSING PANEL MOUNT NECTOR* M-LINE 5 POLES UNSEALED VERSION	
0 PLC ±	1 PLC ±0.3	PRODUCT SPEC	SIZE	CAGE CODE
2 PLC ±0.20	3 PLC ±	APPLICATION SPEC	A200779	C-293688
4 PLC ±	ANGLES ±3°	WEIGHT	SCALE 3:1	SHEET 3 OF 3
FINISH		Customer Drawing	REV A1	