

10

9

8

7

6

5

4

3

2

1

F

F

E

E

D

D

C

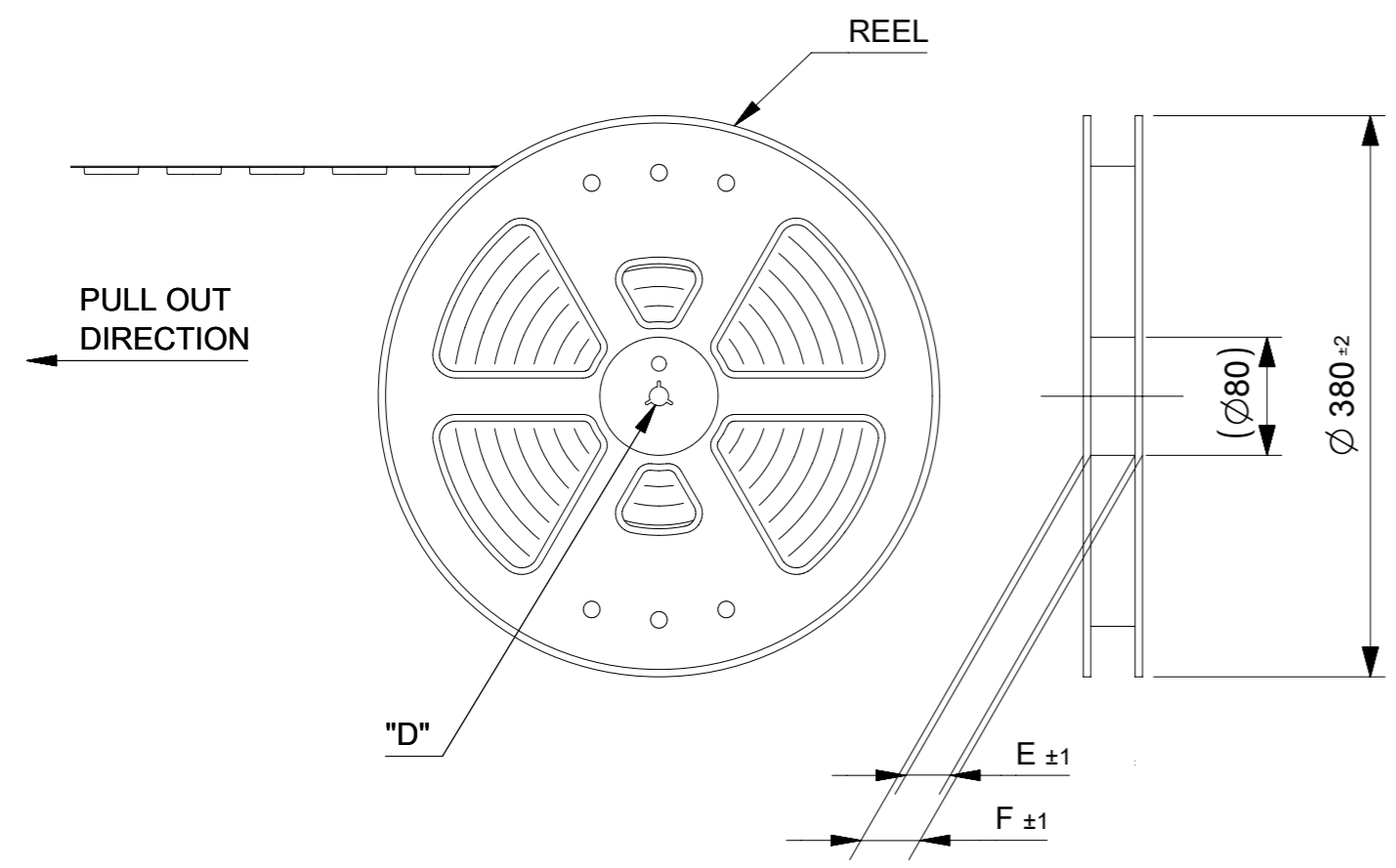
C

B

B

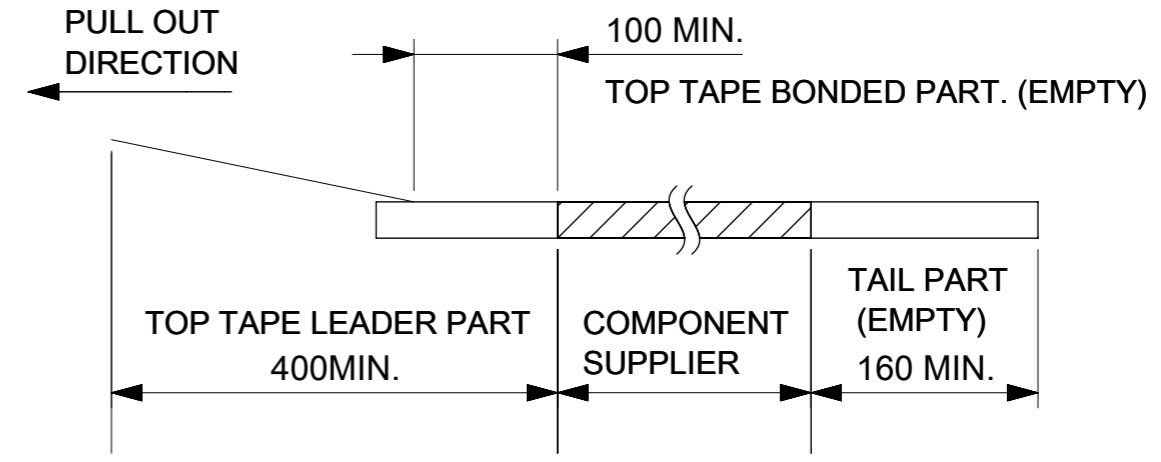
A

A

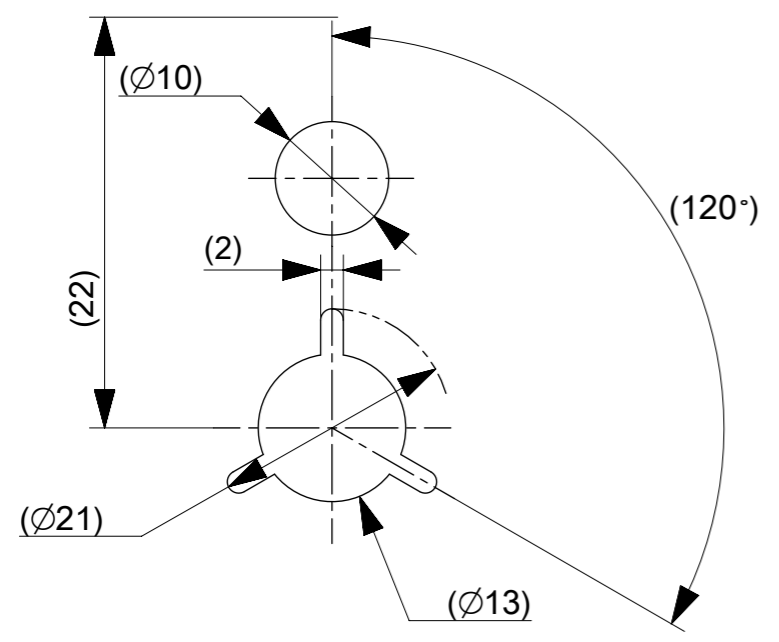


NOTES

1. RE DETAILED DIMENSION, SEE PRODUCT DRAWING.
2. NUMBER OF CONNECTORS : 20000PCS/REEL
3. LEAD TAPE LENGTH.



4. PEELING OFF FORCE OF THE TOP TAPE IS DEFINED BY IEC60286-3.
5. MATERIAL
 CARRIER TAPE : POLYSTYRENE OR PET
 TOP TAPE : PET , OTHER
 REEL : POLYSTYRENE (PS) < RECYCLE MATERIAL CONTAINED >



DETAIL "D"

THIS DRAWING CONTAINS INFORMATION THAT IS PROPRIETARY TO MOLEX ELECTRONIC TECHNOLOGIES, LLC AND SHOULD NOT BE USED WITHOUT WRITTEN PERMISSION									
DIMENSION UNITS		SCALE		CURRENT REV DESC:				molex	
mm		1:1							
GENERAL TOLERANCES (UNLESS SPECIFIED)				EC NO: 668673				5G15 (6+4P RF) PLUG EMBOSS PACKAGE	
ANGULAR TOL ± °				DRWN: RMIYAMOTO 2021/06/30				PRODUCT CUSTOMER DRAWING	
4 PLACES ±				CHK'D: KSASAKI 2021/06/30				DOCUMENT NUMBER	
3 PLACES ±				APPR: YKOBAYASHI02 2021/06/30				2153610000-SD	
2 PLACES ±				INITIAL REVISION:				DOC TYPE	
1 PLACE ±				DRWN: RMIYAMOTO 2021/06/25				PSD	
0 PLACES ±				APPR: YKOBAYASHI02 2021/06/30				DOC PART	
DRAFT WHERE APPLICABLE MUST REMAIN WITHIN DIMENSIONS				THIRD ANGLE PROJECTION		DRAWING		REVISION	
		A3-SIZE		SERIES		MATERIAL NUMBER		CUSTOMER	
		215361		215361		SEE CHART		GENERAL	
						SHEET NUMBER		1 OF 2	

9

8

7

6

5

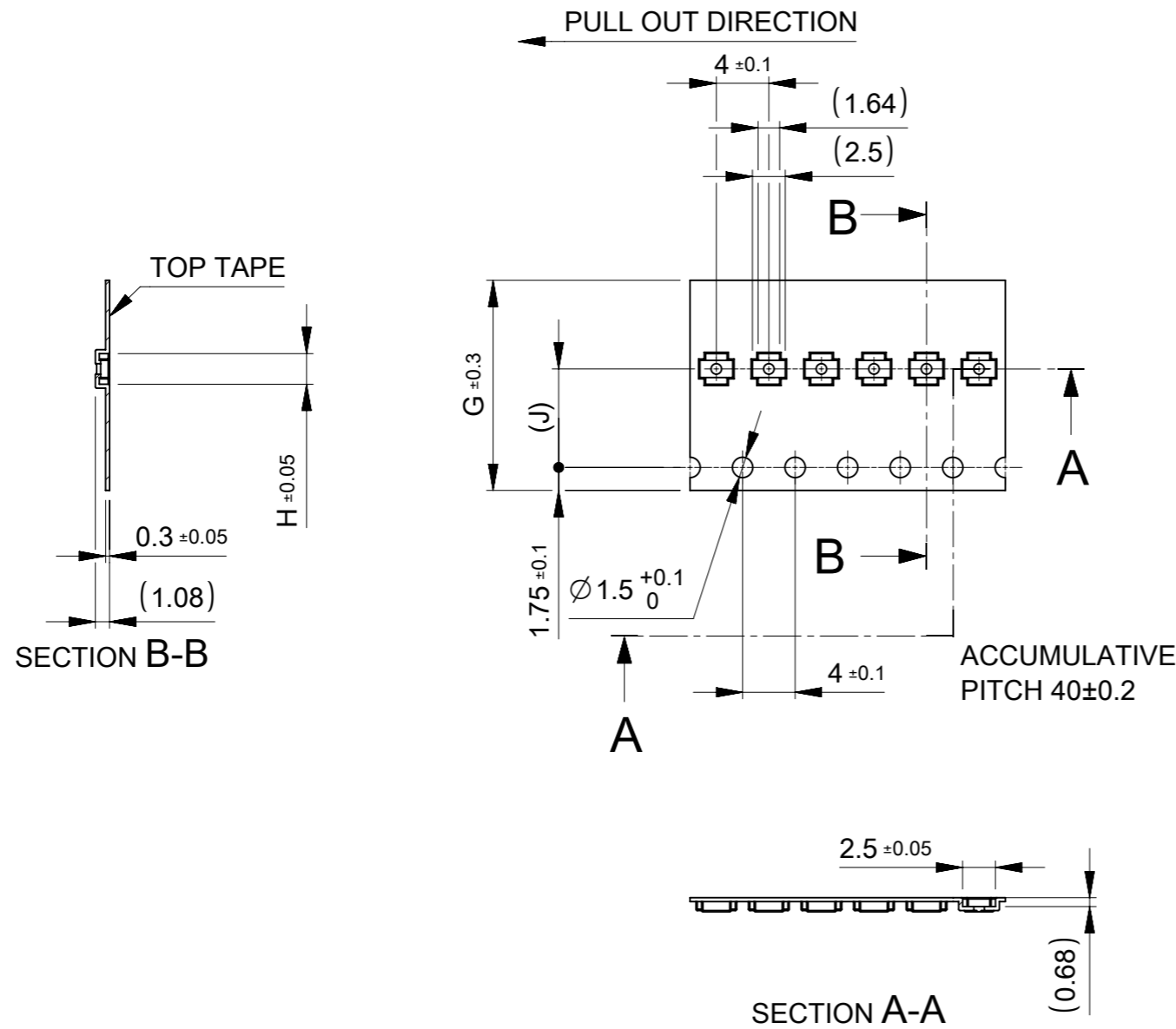
4

3

2

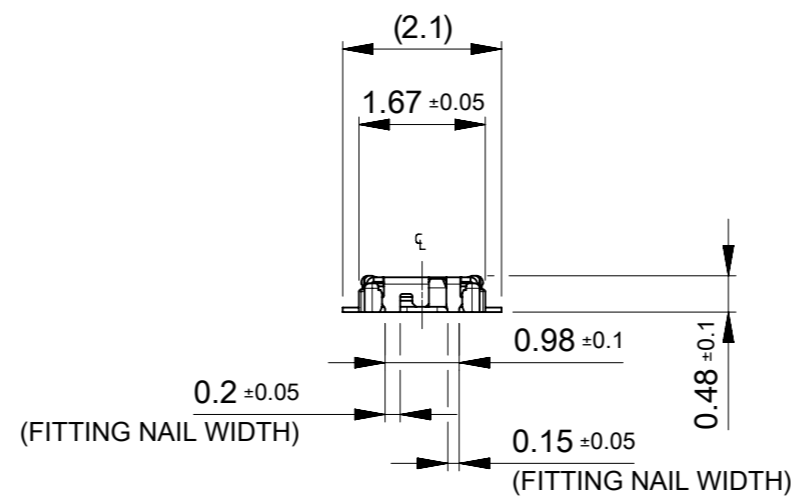
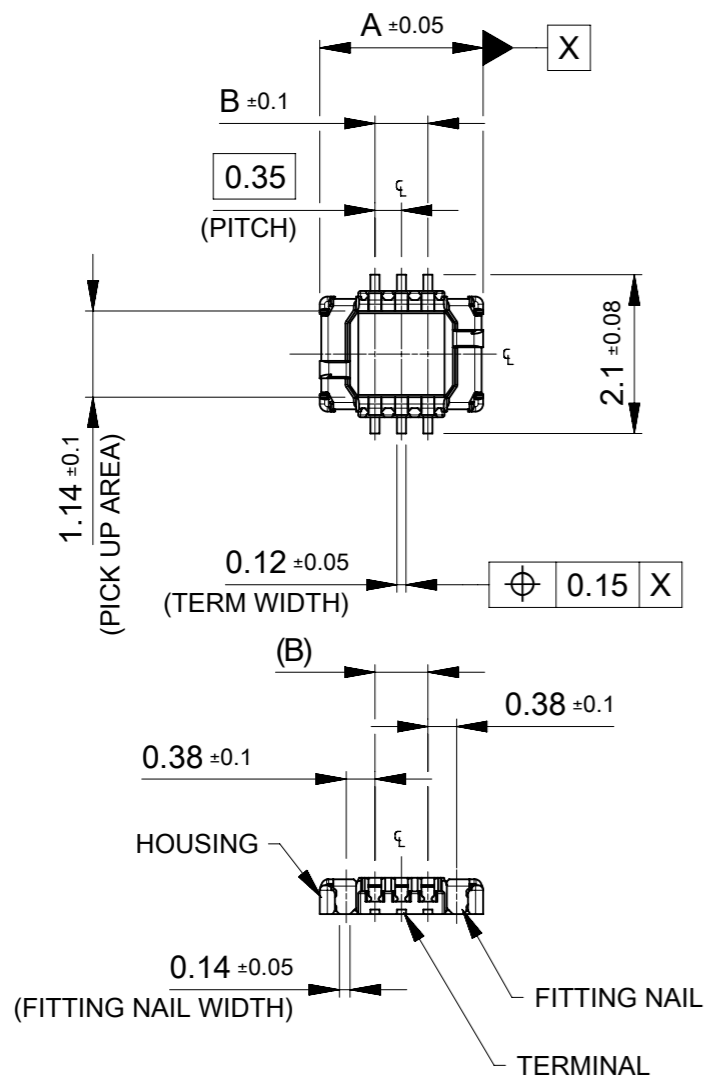
1

FORMAT: master-ib-prod-A3
 REVISION: J
 DATE: 2020/01/14



2153610064	7.5	2.33	16	21.4	17.4	○	---	6
ORDER NO.	J	H	G	F	E	HIGH VOL. TOOL	LOW VOL. TOOL	Ckt.
						SAMPLE PREPARATION ○ : TOOLED △ : WORK IN PROCESS --- : TOOLING TO BE CONFIRMED		
CONNECTOR SERIES No.						215361****		

THIS DRAWING CONTAINS INFORMATION THAT IS PROPRIETARY TO MOLEX ELECTRONIC TECHNOLOGIES, LLC AND SHOULD NOT BE USED WITHOUT WRITTEN PERMISSION										
DIMENSION UNITS	SCALE	CURRENT REV DESC:						molex		
mm	2:1									
GENERAL TOLERANCES (UNLESS SPECIFIED)								5G15 (6+4P RF) PLUG EMBOSS PACKAGE		
ANGULAR TOL	± °							PRODUCT CUSTOMER DRAWING		
4 PLACES	±	EC NO: 668673								
3 PLACES	±	DRWN: RMIYAMOTO	2021/06/30							
2 PLACES	±	CHK'D: KSASAKI	2021/06/30							
1 PLACE	±	APPR: YKOBAYASHI02	2021/06/30							
0 PLACES	±	INITIAL REVISION:				DOCUMENT NUMBER		DOC TYPE	DOC PART	REVISION
DRAFT WHERE APPLICABLE MUST REMAIN WITHIN DIMENSIONS		THIRD ANGLE PROJECTION		DRAWING	SERIES	MATERIAL NUMBER	CUSTOMER	SHEET NUMBER		
		A3-SIZE		215361	SEE CHART	GENERAL	2 OF 2			

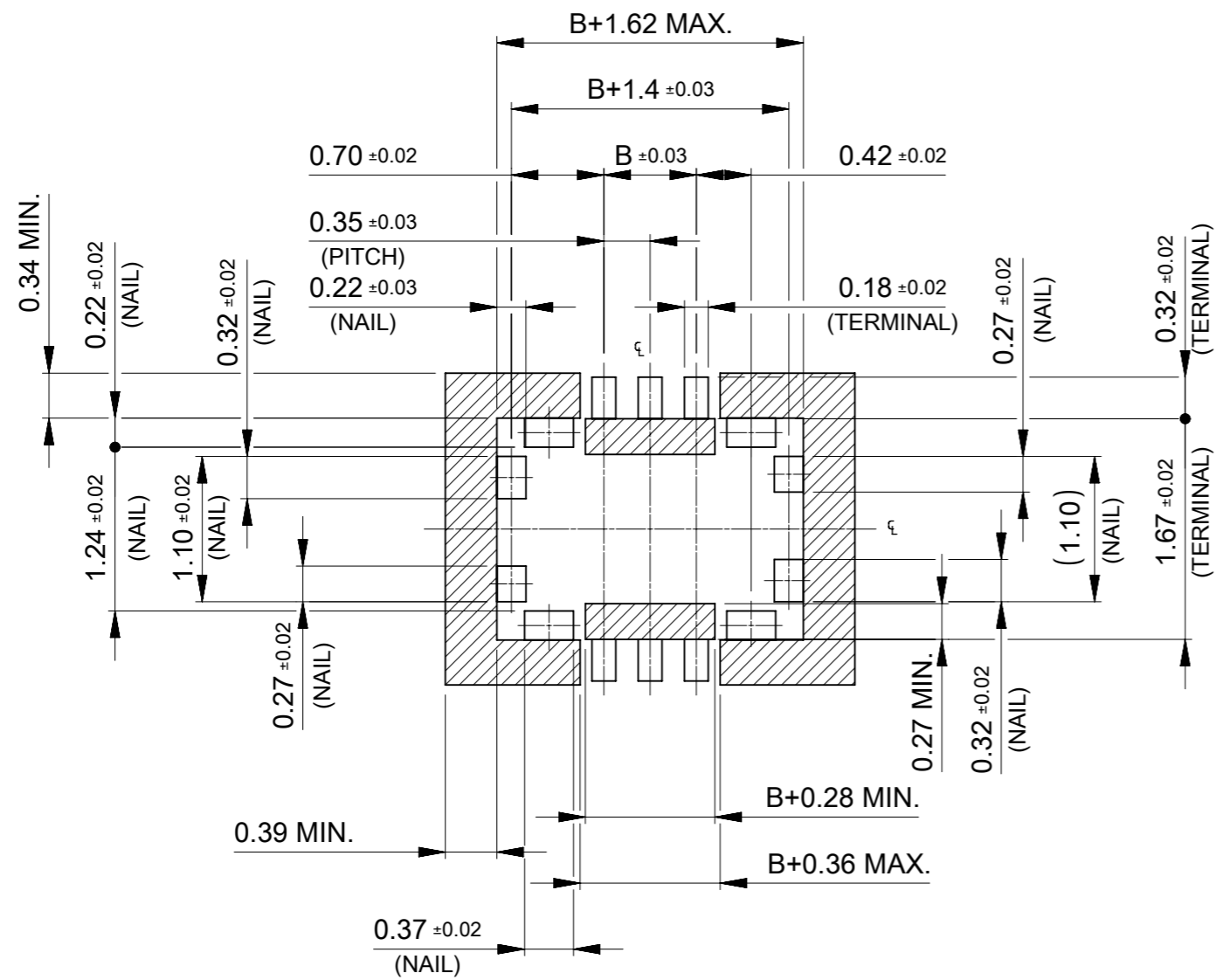


NOTES


- 1 MATERIAL
 HOUSING : LIQUID CRYSTAL POLYMER UL94V-0(COLOR : BLACK)
 TERMINAL : COPPER ALLOY
 FITTING NAIL : COPPER ALLOY
- 2 PLATING
 TERMINAL:
 CONTACT AREA : GOLD 0.1 μm MIN.
 TAIL AREA : GOLD 0.05 μm MIN.
 UNDER PLATING : NICKEL 1.0 μm MIN.
 *DIVIDE INTO PARTS THE GOLD PLATING OF THE CONTACT AND THE TAIL PART BY THE NICKEL PLATING.
 FITTING NAIL:
 CONTACT AREA : GOLD 0.1 μm MIN.
 TAIL AREA : GOLD 0.05 μm MIN.
 UNDER PLATING : NICKEL 1.0 μm MIN.
 *DIVIDE INTO PARTS THE GOLD PLATING OF THE CONTACT AND THE TAIL PART BY THE NICKEL PLATING.
 *EVEN THOUGH GOLD PLATING ON THE TOP SURFACE OF NAIL MIGHT BE THIN, NO FUNCTIONAL PROBLEM.
- 3 MATE WITH : 2153600064
- 4 TERMINAL AND FITTING NAIL COPLANARITY TO BE 0.08MAXIMUM.

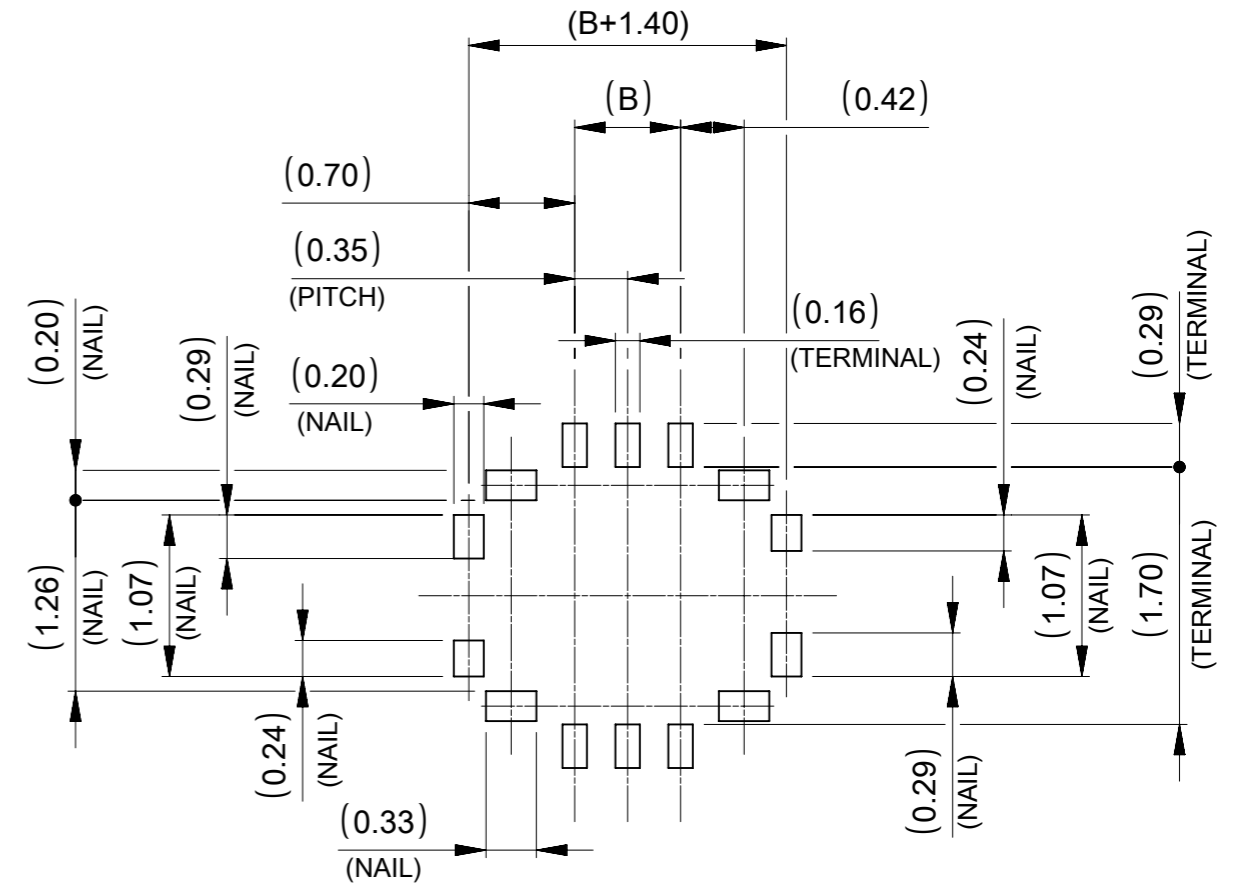
0.70	2.16	2153610064	○	---	6
B	A	EMBOSSED TAPE PACKAGE	HIGH VOL. TOOL	LOW VOL. TOOL	SIGNAL CIRCUIT
		ORDER No.	SAMPLE PREPARATION ○:TOOLED △:WORK IN PROCESS ---:TOOLING TO BE CONFIRMED		

THIS DRAWING CONTAINS INFORMATION THAT IS PROPRIETARY TO MOLEX ELECTRONIC TECHNOLOGIES, LLC AND SHOULD NOT BE USED WITHOUT WRITTEN PERMISSION					
DIMENSION UNITS	SCALE	CURRENT REV DESC:			
mm	10:1	molex 0.35BB CONN. H=0.6 5G15 (6+4P RF) PLUG PRODUCT CUSTOMER DRAWING			
GENERAL TOLERANCES (UNLESS SPECIFIED)					
ANGULAR TOL	± 3.0 °				
4 PLACES	± 0.03				
3 PLACES	± 0.03				
2 PLACES	± 0.05				
1 PLACE	± 0.1	EC NO: 668673	2021/06/30	DRWN: RMIYAMOTO	2021/06/30
0 PLACES	± 0.2	CHK'D: KSASAKI	2021/06/30	APPR: YKOBAYASHI02	2021/06/30
DRAFT WHERE APPLICABLE MUST REMAIN WITHIN DIMENSIONS		INITIAL REVISION:	DOCUMENT NUMBER		
THIRD ANGLE PROJECTION		DRWN: RMIYAMOTO	2021/06/25	2153611000-SD	
DRAWING		APPR: YKOBAYASHI02	2021/06/30	PSD	000
A3-SIZE		SERIES	215361	GENERAL	A
MATERIAL NUMBER		CUSTOMER	SEE CHART	GENERAL	1 OF 2



RECOMMENDED P.W.BOARD PATTERN LAYOUT (REFERENCE)

 **SOLDERING PROHIBITED AREA**
 WHEN WIRING IS LOCATED, THE WIRING MUST BE MASKED
 BY COVER LAY OR RESIST FILM.



RECOMMENDED METAL MASK LAYOUT (REFERENCE)

RECOMMENDED THICKNESS OF METAL MASK : t=0.08mm

THIS DRAWING CONTAINS INFORMATION THAT IS PROPRIETARY TO MOLEX ELECTRONIC TECHNOLOGIES, LLC AND SHOULD NOT BE USED WITHOUT WRITTEN PERMISSION		CURRENT REV DESC:		molex	
DIMENSION UNITS	SCALE				
mm	20:1			0.35BB CONN. H=0.6 5G15 (6+4P RF) PLUG	
GENERAL TOLERANCES (UNLESS SPECIFIED)				PRODUCT CUSTOMER DRAWING	
ANGULAR TOL	± 3.0 °			DOCUMENT NUMBER	
4 PLACES	± 0.03	EC NO: 668673		2153611000-SD	
3 PLACES	± 0.03	DRWN: RMIYAMOTO 2021/06/30		DOC TYPE	
2 PLACES	± 0.05	CHK'D: KSASAKI 2021/06/30		PSD	
1 PLACE	± 0.1	APPR: YKOBAYASHI02 2021/06/30		DOC PART	
0 PLACES	± 0.2	INITIAL REVISION:		000	
DRAFT WHERE APPLICABLE MUST REMAIN WITHIN DIMENSIONS		DRWN: RMIYAMOTO 2021/06/25		REVISION	
THIRD ANGLE PROJECTION		APPR: YKOBAYASHI02 2021/06/30		A	
DRAWING		SERIES		SHEET NUMBER	
A3-SIZE		215361		2 OF 2	