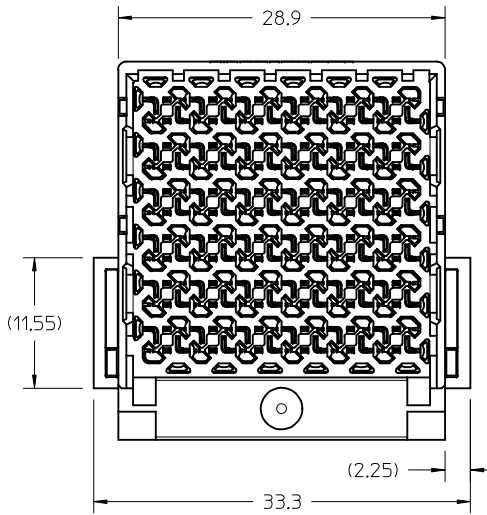
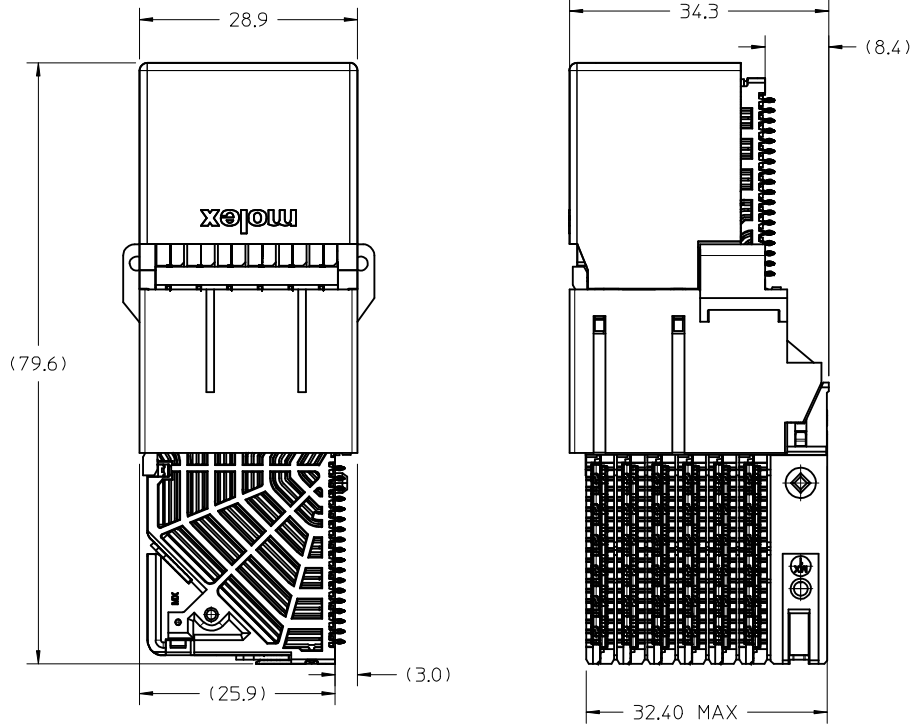


OD-RAM HOLE PATTERN
(CONNECTOR SIDE)



ADD LASER MARK INFO EC NO: UCP2016-3973 DRAWN: VARVARA 2015/07/29 CHKD: TELO 2016/02/22 APPR: TELO 2016/04/20	QUALITY SYMBOLS ▽=0 ▽=0	GENERAL TOLERANCES (UNLESS SPECIFIED)		DIMENSION STYLE MM ONLY	SCALE 3:1	DESIGN UNITS METRIC	THIRD ANGLE PROJECTION
		4 PLACES ± --- ± ---	DRAWN BY JMENDOZA	DATE 2012/04/13	TITLE IMPACT ORTHOGONAL DIRECT 6 PAIR RAM 90 & 270 ASSY BOTTOM GUIDE SALES DWG		
		3 PLACES ± --- ± ---	CHECKED BY TELO	DATE 2012/12/03	MOLEX INCORPORATED		
		2 PLACES ± 0.13 ± ---	APPROVED BY TELO	DATE 2013/12/26	DOCUMENT NO. SD-171576-0003	SHEET NO. 1 OF 4	
1 PLACE ± 0.25 ± ---	ANGULAR ± 1/2°	MATERIAL NO. SEE CHART	THIS DRAWING CONTAINS INFORMATION THAT IS PROPRIETARY TO MOLEX INCORPORATED AND SHOULD NOT BE USED WITHOUT WRITTEN PERMISSION				
B2	REV	DRAFT WHERE APPLICABLE MUST REMAIN WITHIN DIMENSIONS					



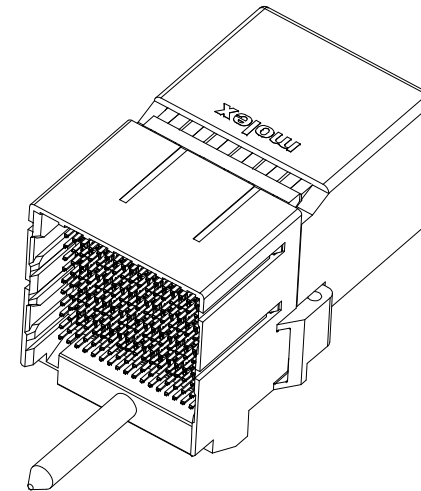
171576-92**

MODULE TYPE
9 = BOTTOM GUIDED, TIN

OF COLUMNS
2 = 12 COLUMN

PIN LENGTH (P)
4 = 4.90 (0.46 PTH)
5 = 5.50 (0.46 PTH)
7 = 4.90 (0.39 PTH)
8 = 5.50 (0.39 PTH)

MATE POSITION
0 = 90 DEGREE
3 = 270 DEGREE



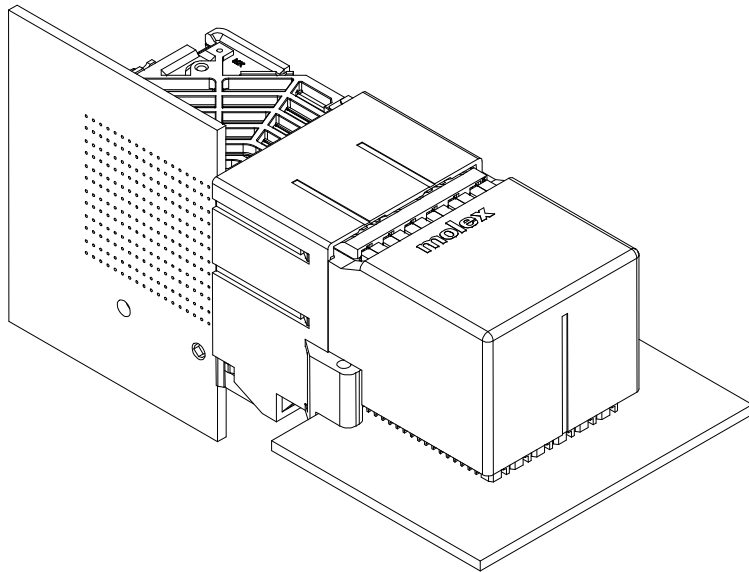
MATED DIMENSIONS (POSITION 90° SHOWN)

NOTES:

1. MATERIALS: HOUSING - LIQUID CRYSTAL POLYMER (LCP)
GLASS-FILLED, UL94V-0
TERMINALS - HIGH PERFORMANCE COPPER ALLOY
2. FINISH: 30μ MIN GOLD IN CONTACT AREA.
SELECTIVE TIN ON PCB TAILS.
NICKEL OVERALL.
3. REFER TO MOLEX PRODUCT SPECIFICATION PS-76060-999
FOR PERFORMANCE SPECIFICATIONS AND ADDITIONAL PCB INFORMATION.
4. THIS PART CONFORMS TO CLASS B REQUIREMENTS OF
COSMETIC SPEC PS-45499-002.
5. PACKAGE PER: PK-70873-8025.
6. SEE SHEETS 3 AND 4 FOR ORTHOGONAL PIN MAPPING.
7. REFER TO SHEET 3 AND 4 FOR THE MATING RECEPTACLES.
8. REFER TO MOLEX ROUTING GUIDE AS-76850-990 FOR ADDITIONAL PCB LAYOUT
AND ROUTING RECOMMENDATIONS.
9. CONNECTORS ARE SUPPLIED WITH TWO 2-32 THREAD FORMING
SCREWS.
10. THESE DIMENSIONS REPRESENT THE AREA NEEDED TO ACCOMODATE CONNECTOR
INSERTION AND REPAIR ON THE PC BOARD. THIS IS REFERRED TO AS THE
"CONNECTOR KEEP OUT ZONE" AND DOES NOT REPRESENT THE ACTUAL PERIMETER
OF THE CONNECTOR.
11. MARKING: LOCATED APPROXIMATELY AS SHOWN, ON BOTTOM OR TOP HOUSING.
PART NUMBER AND DATE CODE.

SEE SHEET 1 EC NO: UCP2016-3973 DRWING:VARVARA 2015/07/29 CHKD:TELO 2016/02/22 APPR:TELO 2016/04/20	QUALITY SYMBOLS ▽=0 ▽=0	GENERAL TOLERANCES (UNLESS SPECIFIED)		DIMENSION STYLE MM ONLY	SCALE 2:1	DESIGN UNITS METRIC	THIRD ANGLE PROJECTION	
		mm	INCH	DRAWN BY JMENDOZA	DATE 2012/04/13	TITLE IMPACT ORTHOGONAL DIRECT 6 PAIR RAM 90 & 270 ASSY BOTTOM GUIDE SALES DWG		
		4 PLACES ± ---	± ---	CHECKED BY TELO	DATE 2012/12/03			
		3 PLACES ± ---	± ---	APPROVED BY TELO	DATE 2013/12/26	MATERIAL NO. SEE CHART		
2 PLACES ± 0.13	± ---	DRAFT WHERE APPLICABLE MUST REMAIN WITHIN DIMENSIONS		SIZE C	DOCUMENT NO. SD-171576-0003			
1 PLACE ± 0.25	± ---	ANGULAR ± 1/2°		THIS DRAWING CONTAINS INFORMATION THAT IS PROPRIETARY TO MOLEX INCORPORATED AND SHOULD NOT BE USED WITHOUT WRITTEN PERMISSION				

ORTHO POSITION 90°
OD-RAM PIN A1 MAPS
TO RAF PIN T12



REFER TO MOLEX SALES DRAWING SD-76290-004
FOR MATING RECEPTACLES.

ORTHO PIN MAPPING

OPTION 90 (NEAR SIDE - FARSIDE)

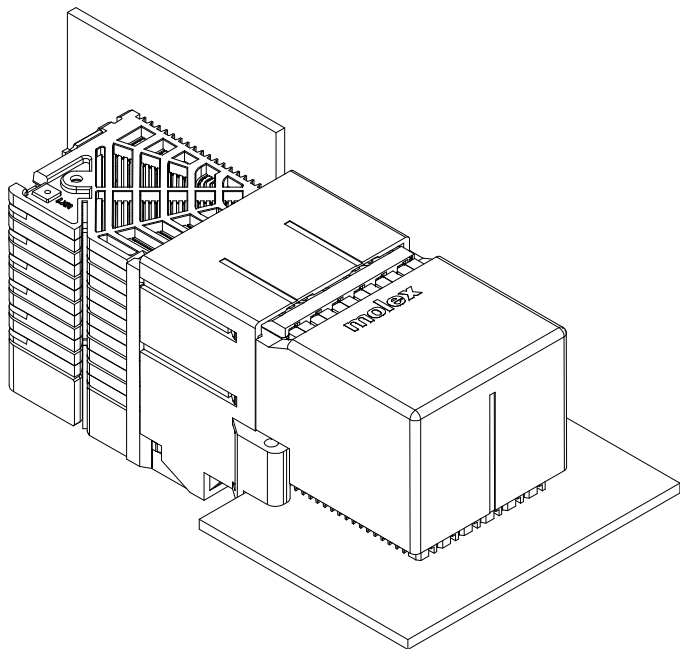
(A1-T12)	A2-S12	(A3-Q12)	A4-P12	(A5-M12)	A6-L12	(A7-J12)	A8-H12	(A9-F12)	A10-E12	(A11-C12)	A12-B12
B1-T11	B2-R12	B3-Q11	B4-N12	B5-M11	B6-K12	B7-J11	B8-G12	B9-F11	B10-D12	B11-C11	B12-A12
C1-S11	(C2-R11)	C3-P11	(C4-N11)	C5-L11	(C6-K11)	C7-H11	(C8-G11)	C9-E11	(C10-D11)	C11-B11	(C12-A11)
(D1-T10)	D2-S10	(D3-Q10)	D4-P10	(D5-M10)	D6-L10	(D7-J10)	D8-H10	(D9-F10)	D10-E10	(D11-C10)	D12-B10
E1-T9	E2-R10	E3-Q9	E4-N10	E5-M9	E6-K10	E7-J9	E8-G10	E9-F9	E10-D10	E11-C9	E12-A10
F1-S9	(F2-R9)	F3-P9	(F4-N9)	F5-L9	(F6-K9)	F7-H9	(F8-G9)	F9-E9	(F10-D9)	F11-B9	(F12-A9)
(G1-T8)	G2-S8	(G3-Q8)	G4-P8	(G5-M8)	G6-L8	(G7-J8)	G8-H8	(G9-F8)	G10-E8	(G11-C8)	G12-B8
H1-T7	H2-R8	H3-Q7	H4-N8	H5-M7	H6-K8	H7-J7	H8-G8	H9-F7	H10-D8	H11-C7	H12-A8
J1-S7	(J2-R7)	J3-P7	(J4-N7)	J5-L7	(J6-K7)	J7-H7	(J8-G7)	J9-E7	(J10-D7)	J11-B7	(J12-A7)
(K1-T6)	K2-S6	(K3-Q6)	K4-P6	(K5-M6)	K6-L6	(K7-J6)	K8-H6	(K9-F6)	K10-E6	(K11-C6)	K12-B6
L1-T5	L2-R6	L3-Q5	L4-N6	L5-M5	L6-K6	L7-J5	L8-G6	L9-F5	L10-D6	L11-C5	L12-A6
M1-S5	(M2-R5)	M3-P5	(M4-N5)	M5-L5	(M6-K5)	M7-H5	(M8-G5)	M9-E5	(M10-D5)	M11-B5	(M12-A5)
(N1-T4)	N2-S4	(N3-Q4)	N4-P4	(N5-M4)	N6-L4	(N7-J4)	N8-H4	(N9-F4)	N10-E4	(N11-C4)	N12-B4
P1-T3	P2-R4	P3-Q3	P4-N4	P5-M3	P6-K4	P7-J3	P8-G4	P9-F3	P10-D4	P11-C3	P12-A4
Q1-S3	(Q2-R3)	Q3-P3	(Q4-N3)	Q5-L3	(Q6-K3)	Q7-H3	(Q8-G3)	Q9-E3	(Q10-D3)	Q11-B3	(Q12-A3)
(R1-T2)	R2-S2	(R3-Q2)	R4-P2	(R5-M2)	R6-L2	(R7-J2)	R8-H2	(R9-F2)	R10-E2	(R11-C2)	R12-B2
S1-T1	S2-R2	S3-Q1	S4-N2	S5-M1	S6-K2	S7-J1	S8-G2	S9-F1	S10-D2	S11-C1	S12-A2
T1-S1	(T2-R1)	T3-P1	(T4-N1)	T5-L1	(T6-K1)	T7-H1	(T8-G1)	T9-E1	(T10-D1)	T11-B1	(T12-A1)

NOTE: PINOUTS SHOWN IN BALLOONS ARE GROUNDS.
GROUND PATHS ARE NOT DISCRETE CIRCUITS.

MATERIAL NUMBER	# OF COLUMNS	# OF DIFF PAIR	MATE POSITION	DIM P	PTH ϕ
171576-9204	12	72	90	4.90	0.46±0.05
171576-9205	12	72	90	5.50	0.46±0.05
171576-9207	12	72	90	4.90	0.39±0.05
171576-9208	12	72	90	5.50	0.39±0.05

SEE SHEET 1 EC NO: UCP2016-3973 DRWING: VARVARA 2015/07/29 CHKD: TELO 2016/02/22 APPR: TELO 2016/04/20 REV:	QUALITY SYMBOLS	GENERAL TOLERANCES (UNLESS SPECIFIED)	DIMENSION STYLE MM ONLY	SCALE 2:1	DESIGN UNITS METRIC	THIRD ANGLE PROJECTION
	▽=0	mm INCH	DRAWN BY JMENDOZA	DATE 2012/04/13	IMPACT ORTHOGONAL DIRECT 6 PAIR RAM 90 & 270 ASSY BOTTOM GUIDE SALES DWG	
	▽=0	4 PLACES ± --- ± ---	CHECKED BY TELO	DATE 2012/12/03		
	▽=0	3 PLACES ± --- ± ---	2 PLACES ± 0.13 ± ---	APPROVED BY TELO	DATE 2013/12/26	MOLEX INCORPORATED MATERIAL NO. SD-171576-0003 DOCUMENT NO.
	1 PLACE ± 0.25 ± ---	ANGULAR ± 1/2°	SEE CHART SIZE C		SHEET NO. 3 OF 4	
DRAFT WHERE APPLICABLE MUST REMAIN WITHIN DIMENSIONS			THIS DRAWING CONTAINS INFORMATION THAT IS PROPRIETARY TO MOLEX INCORPORATED AND SHOULD NOT BE USED WITHOUT WRITTEN PERMISSION			

ORTHO POSITION 270°
OD-RAM PIN A1 MAPS
TO RAF PIN A1



REFER TO MOLEX SALES DRAWING SD-76290-002
FOR MATING RECEPTACLES.

ORTHO PIN MAPPING

OPTION 270 (NEARSIDE - FAR SIDE)

(A1-A1)	A2-B1	(A3-D1)	A4-E1	(A5-G1)	A6-H1	(A7-K1)	A8-L1	(A9-N1)	A10-P1	(A11-R1)	A12-S1
B1-A2	B2-C1	B3-D2	B4-F1	B5-G2	B6-J1	B7-K2	B8-M1	B9-N2	B10-Q1	B11-R2	B12-T1
C1-B2	(C2-C2)	C3-E2	(C4-F2)	C5-H2	(C6-J2)	C7-L2	(C8-M2)	C9-P2	(C10-Q2)	C11-S2	(C12-T2)
(D1-A3)	D2-B3	(D3-D3)	D4-E3	(D5-G3)	D6-H3	(D7-K3)	D8-L3	(D9-N3)	D10-P3	(D11-R3)	D12-S3
E1-A4	E2-C3	E3-D4	E4-F3	E5-G4	E6-J3	E7-K4	E8-M3	E9-N4	E10-Q3	E11-R4	E12-T3
F1-B4	(F2-C4)	F3-E4	(F4-F4)	F5-H4	(F6-J4)	F7-L4	(F8-M4)	F9-P4	(F10-Q4)	F11-S4	(F12-T4)
(G1-A5)	G2-B5	(G3-D5)	G4-E5	(G5-G5)	G6-H5	(G7-K5)	G8-L5	(G9-N5)	G10-P5	(G11-R5)	G12-S5
H1-A6	H2-C5	H3-D6	H4-F5	H5-G6	H6-J5	H7-K6	H8-M5	H9-N6	H10-Q5	H11-R6	H12-T5
J1-B6	(J2-C6)	J3-E6	(J4-F6)	J5-H6	(J6-J6)	J7-L6	(J8-M6)	J9-P6	(J10-Q6)	J11-S6	(J12-T6)
(K1-A7)	K2-B7	(K3-D7)	K4-E7	(K5-G7)	K6-H7	(K7-K7)	K8-L7	(K9-N7)	K10-P7	(K11-R7)	K12-S7
L1-A8	L2-C7	L3-D8	L4-F7	L5-G8	L6-J7	L7-K8	L8-M7	L9-N8	L10-Q7	L11-R8	L12-T7
M1-B8	(M2-C8)	M3-E8	(M4-F8)	M5-H8	(M6-J8)	M7-L8	(M8-M8)	M9-P8	(M10-Q8)	M11-S8	(M12-T8)
(N1-A9)	N2-B9	(N3-D9)	N4-E9	(N5-G9)	N6-H9	(N7-K9)	N8-L9	(N9-N9)	N10-P9	(N11-R9)	N12-S9
P1-A10	P2-C9	P3-D10	P4-F9	P5-G10	P6-J9	P7-K10	P8-M9	P9-N10	P10-Q9	P11-R10	P12-T9
Q1-B10	(Q2-C10)	Q3-E10	(Q4-F10)	Q5-H10	(Q6-J10)	Q7-L10	(Q8-M10)	Q9-P10	(Q10-Q10)	Q11-S10	(Q12-T10)
(R1-A11)	R2-B11	(R3-D11)	R4-E11	(R5-G11)	R6-H11	(R7-K11)	R8-L11	(R9-N11)	R10-P11	(R11-R11)	R12-S11
S1-A12	S2-C11	S3-D12	S4-F11	S5-G12	S6-J11	S7-K12	S8-M11	S9-N12	S10-Q11	S11-R12	S12-T11
T1-B12	(T2-C12)	T3-E12	(T4-F12)	T5-H12	(T6-J12)	T7-L12	(T8-M12)	T9-P12	(T10-Q12)	T11-S12	(T12-T12)

NOTE: PINOUTS SHOWN IN BALLOONS ARE GROUNDS.
GROUND PATHS ARE NOT DISCRETE CIRCUITS.

MATERIAL NUMBER	# OF COLUMNS	# OF DIFF PAIR	MATE POSITION	DIM P	PTH ϕ
171576-9234	12	72	270	4.90	0.46+0.05
171576-9235	12	72	270	5.50	0.46+0.05
171576-9237	12	72	270	4.90	0.39+0.05
171576-9238	12	72	270	5.50	0.39+0.05

SEE SHEET 1 EC NO: UCP2016-3973 DRAWN: VARVARA 2015/07/29 CHKD: TELO 2016/02/22 APPR: TELO 2016/04/20 REV: B2	QUALITY SYMBOLS	GENERAL TOLERANCES (UNLESS SPECIFIED)	DIMENSION STYLE	SCALE	DESIGN UNITS	THIRD ANGLE PROJECTION
	$\nabla=0$ $\nabla=0$	mm INCH 4 PLACES \pm --- \pm --- 3 PLACES \pm --- \pm --- 2 PLACES ± 0.13 \pm --- 1 PLACE ± 0.25 \pm --- ANGULAR $\pm 1/2^\circ$	MM ONLY DRAWN BY DATE JMENDOZA 2012/04/13 CHECKED BY DATE TELO 2012/12/03 APPROVED BY DATE TELO 2013/12/26	2:1	METRIC	TITLE IMPACT ORTHOGONAL DIRECT 6 PAIR RAM 90 & 270 ASSY BOTTOM GUIDE SALES DWG
		DRAFT WHERE APPLICABLE MUST REMAIN WITHIN DIMENSIONS	MATERIAL NO. SEE CHART SIZE C	DOCUMENT NO. SD-171576-0003	SHEET NO. 4 OF 4	MOLEX INCORPORATED
			THIS DRAWING CONTAINS INFORMATION THAT IS PROPRIETARY TO MOLEX INCORPORATED AND SHOULD NOT BE USED WITHOUT WRITTEN PERMISSION			