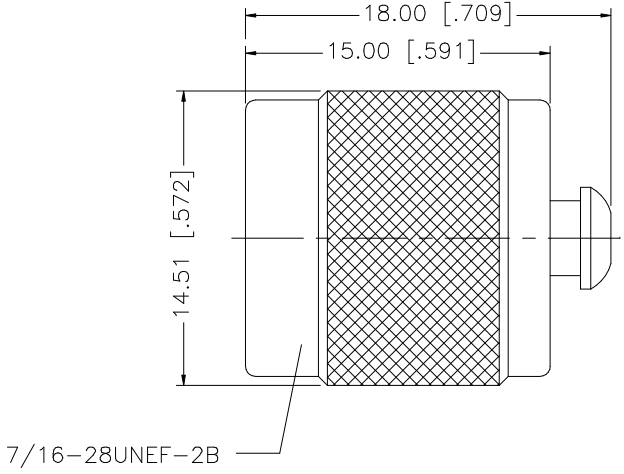


REV.	DATE	DESCRIPTION
NC	07/28/06	INITIAL RELEASE



8				<small>UNLESS OTHERWISE SPECIFIED DIMENSIONS ARE IN MILLIMETERS. DIMENSIONS IN [] ARE IN INCHES AND FOR CUSTOMER REFERENCE ONLY.</small> <small>UNLESS OTHERWISE SPECIFIED TOLERANCES FOR MILLIMETERS ARE:</small> 0.5 - 8mm ± 0.20mm 8 - 30mm ± 0.40mm 30 - 120mm ± 0.50mm <small>UNLESS OTHERWISE SPECIFIED TOLERANCES FOR INCHES ARE:</small> .020 - .315 = ± 0.007" .315 - 1.180 = ± 0.015" 1.180 - 4.724 = ± 0.020" DO NOT SCALE DRAWING	APPROVALS	DATE	<h1>Amphenol Connex</h1>		
7					DRAWN	G.R.S.		07/28/06	PART DESCRIPTION TNC MALE CAP W/O CHAIN
6					CHECKED			PART NO. 202101-10	
5					ISSUED				
4					SHEET	1 OF 1		REV. NC	
3					CAD FILE	C:/202/202101-10.DWG		SIZE A	
2	RIVET	BRASS	NICKEL		1			SCALE NA	
1	BODY	BRASS	NICKEL		1				
	DESCRIPTION	MATERIAL	FINISH	QTY					