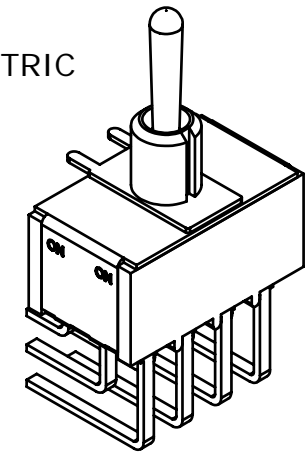
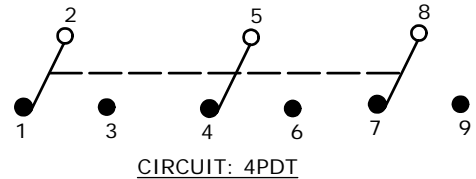


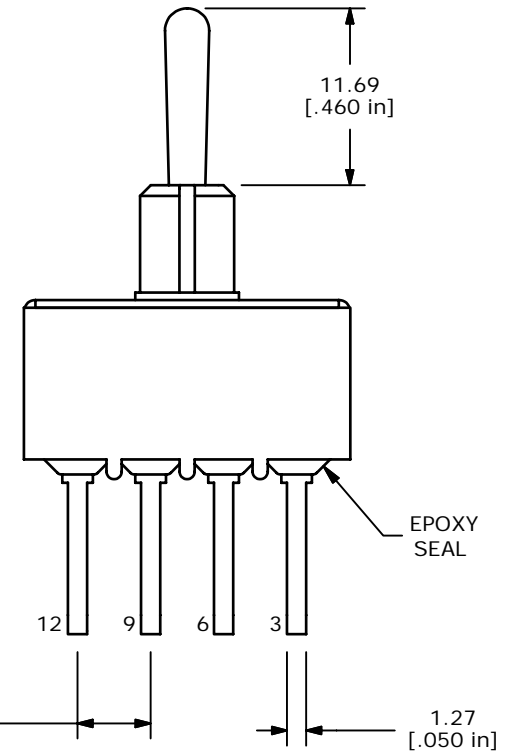
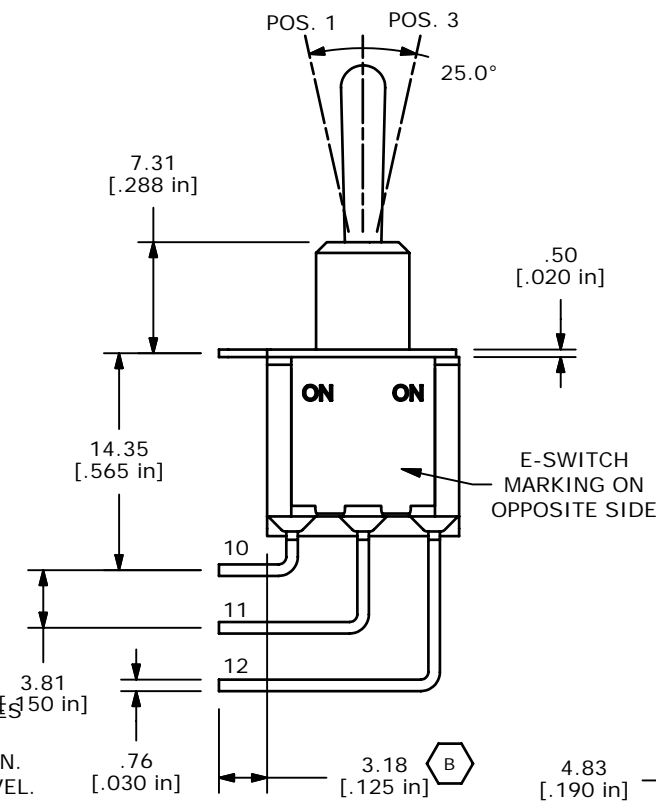
ISOMETRIC



▲ SWITCH FUNCTION		
POS. 1	POS. 2	POS. 3
ON	NONE	ON
2-3, 5-6, 8-9, 11-12	OPEN	2-1, 5-4, 8-7, 11-10



- NOTE:
- ALL DIMENSIONS IN MM [INCH]
  - GENERAL TOLERANCE: X.X=±0.4  
X.XX=±0.25
  - TERMINAL NUMBERS FOR REF ONLY
  - ▲ PLATING MATERIAL: GOLD
  - RATING: 0.4 (VA) MAX. @20V MAX.
  - ELECTRIC LIFE: 40,000 MAKE-AND-BREAK CYCLES AT FULL LOAD.
  - INSULATION RESISTANCE: 1,000 MEGA-OHM MIN.
  - DIELECTRIC STRENGTH: 1,000 V RMS @SEA LEVEL.
  - OPERATING TEMP.: -30°C to 85°C
  - ▲ DENOTES CRITICAL PARAMETER.



B	18507	ADD DIM FOR TERM LENGTH	4/29/09	BLR
A	14524	RELEASED FOR PRODUCTION	11/19/04	BLR
REV	PCR NO	DESCRIPTION	DATE	BY

THE INFORMATION CONTAINED IN THIS DOCUMENT IS PROPRIETARY TO E-SWITCH AND IS NOT TO BE COPIED OR TRANSFERRED

TITLE 1004P1T1B4M7RE			
SCALE	DATE	DR	DWG
2:1	4/29/2009	BLR	T141023
			REV
			B