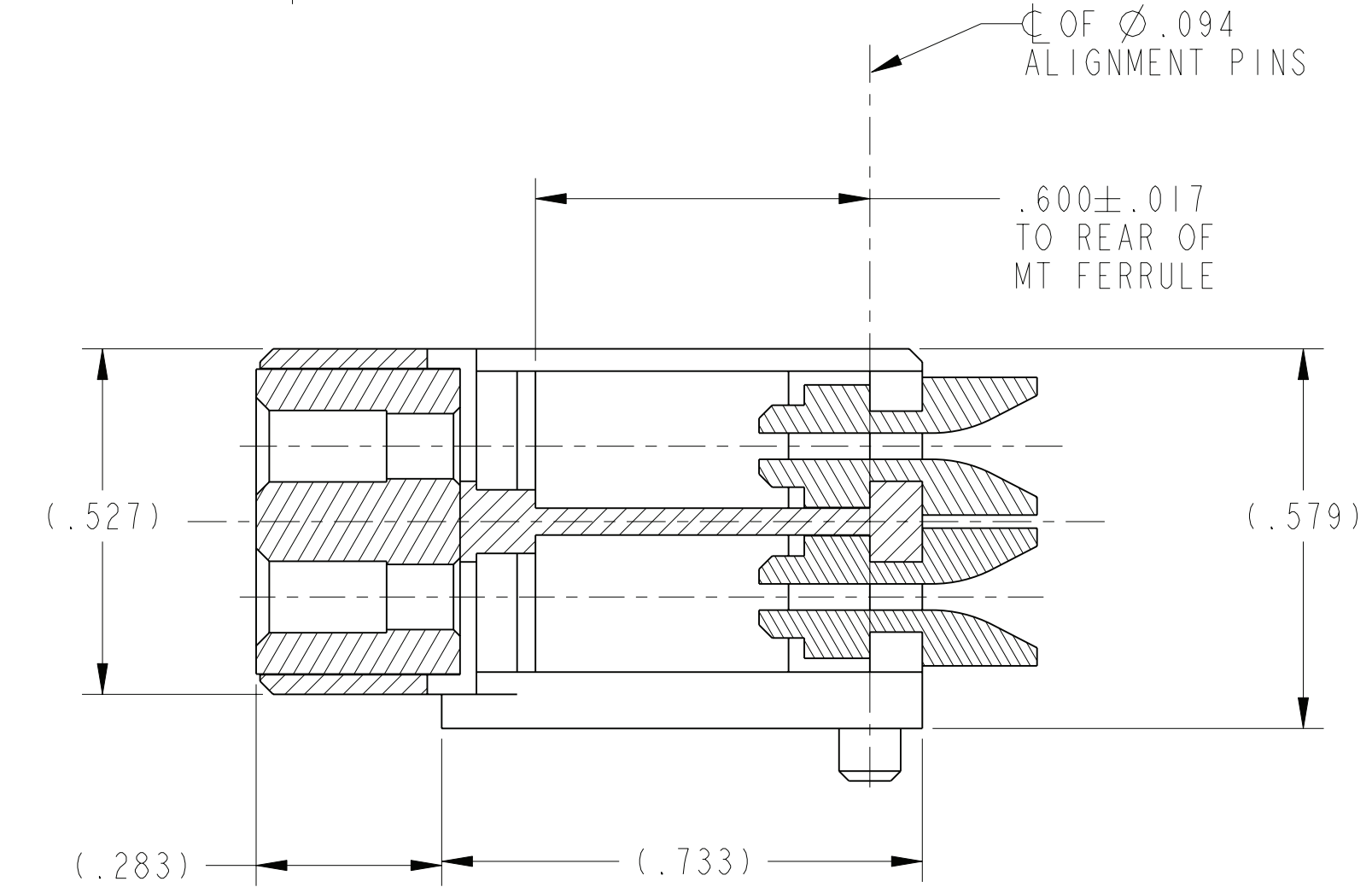
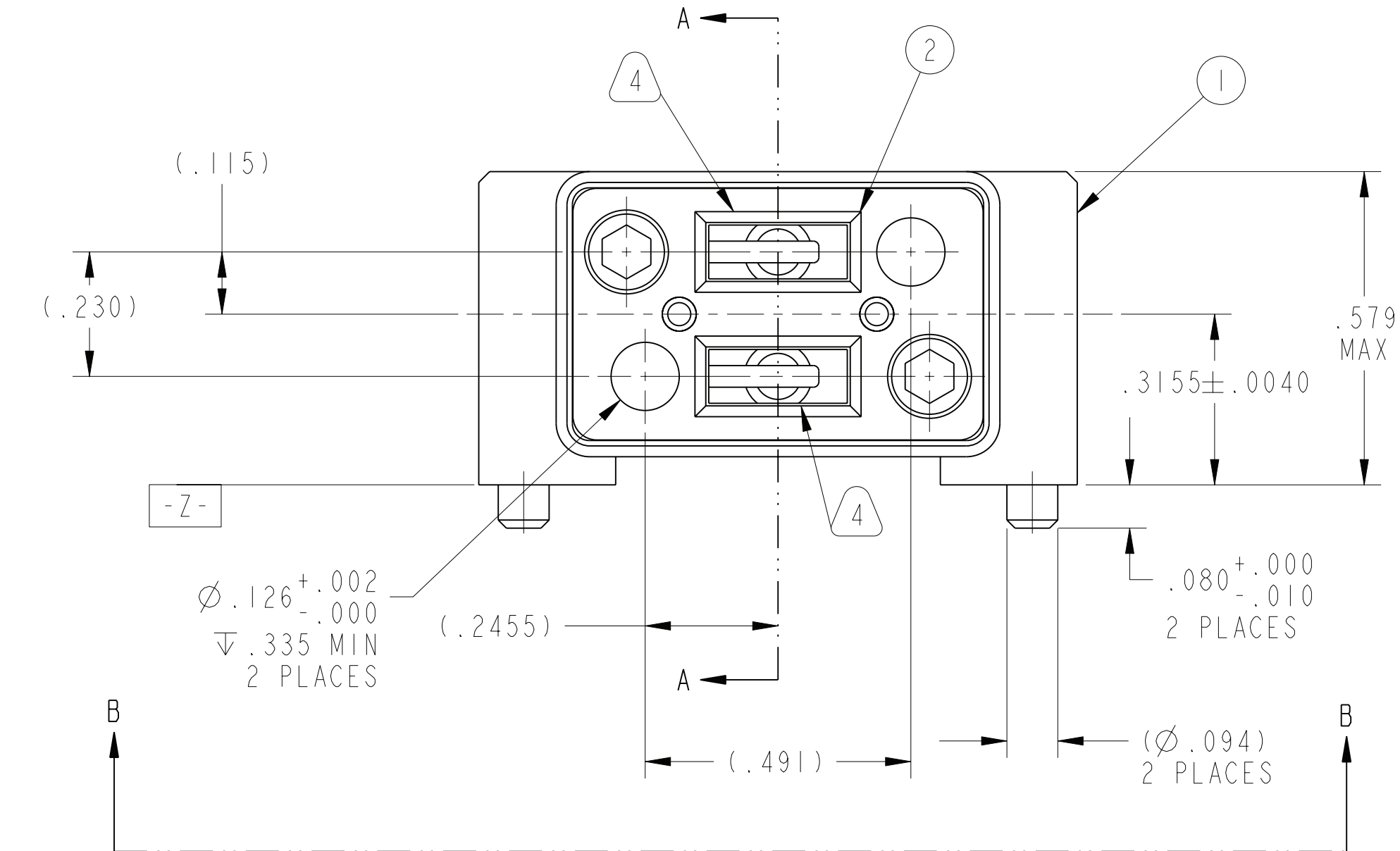
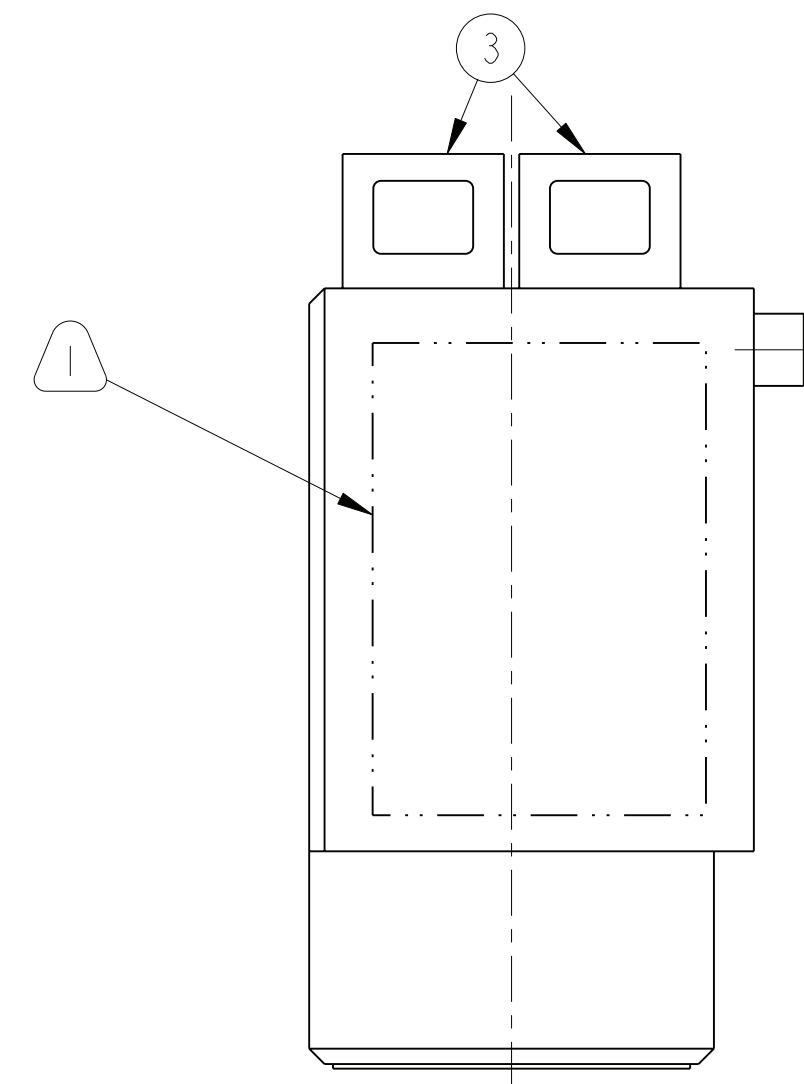
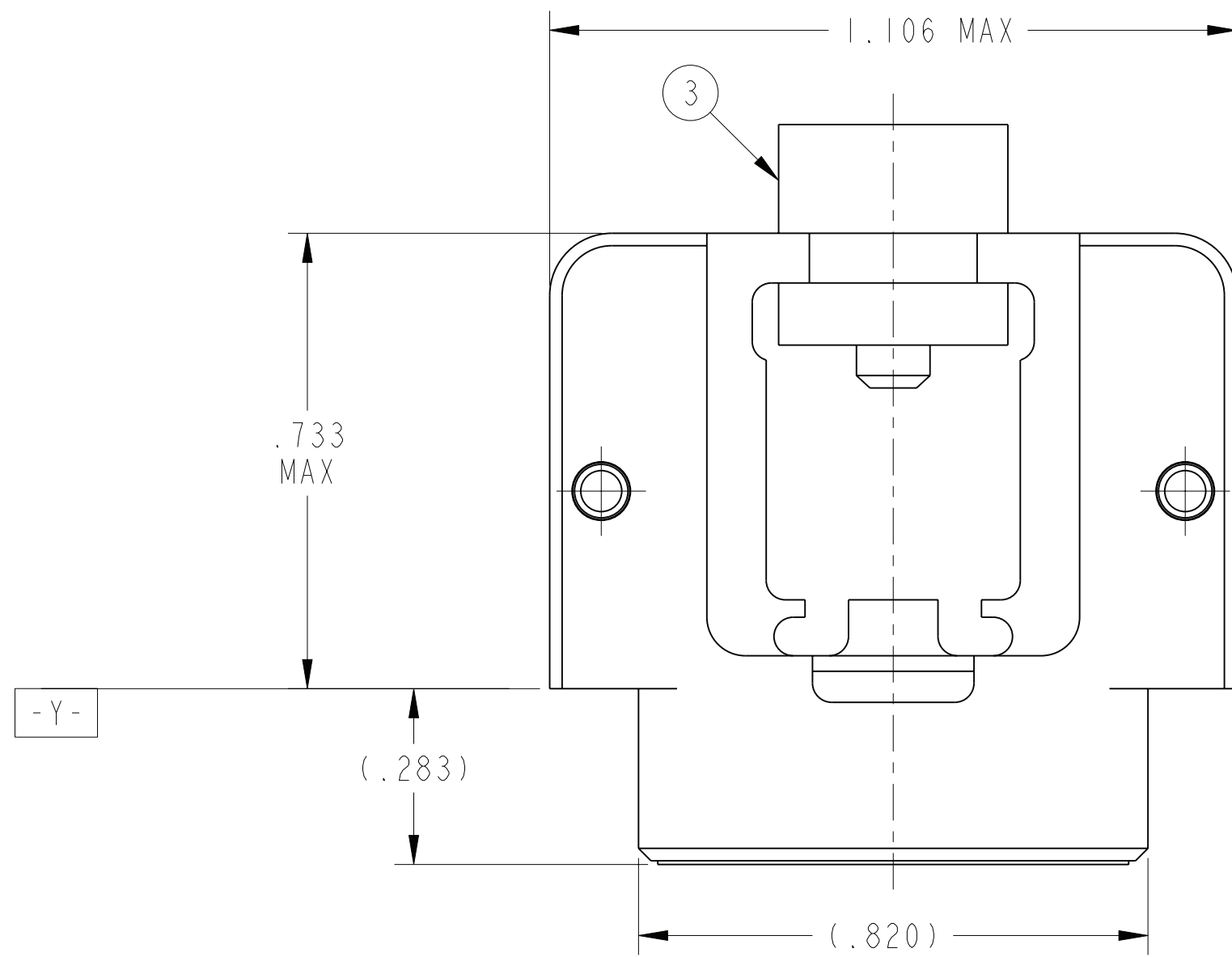


REV. B		SHEET 1 OF 4		DOCUMENT NO. 10-504637-004	
REVISIONS					
LTR	DESCRIPTION	DATE			
A	PRODUCTION RELEASE	6/13/11			
B	CL(11) SEE CHANGE NOTICE ECN: B2374	1/23/12 RKC			



SECTION A-A

POS	QTY	PART NUMBER	DESCRIPTION	NOTE
4	4	10-504808-007	MT PIN CLAMP ASSEMBLY	
3	2	10-504819-003	STRAIN RELIEF	
2	1	10-504819-007	MT FRONT INSERT ASSEMBLY	
1	1	10-504638-019	MAIN BODY	

NOTES: SEE SHEET 2
 THE USE OF THIS DOCUMENT IS UNLIMITED. HOWEVER, DOCUMENTS REFERENCED HEREON MAY CONTAIN LIMITED RIGHTS DATA.

SCALE 4.000

UNLESS OTHERWISE SPECIFIED
 LINEAR DIMENSIONS ARE IN INCHES
 TOLERANCES:
 .XXXX = ±.0005 ANGLES = ±2°
 .XXX = ±.010
 .XX = ±.03
 .X = ±.1
 DIM. & TOL. PER ASME Y14.5M;
 DRM PER MIL-DTL-31000;
 OTHER Amphenol Sds. PER 9-3800
 LEGENDS:
 = FLAG NOTE CALL OUT REFERENCE ONLY

SPECIFICATIONS	APPROVALS	DATE
MATERIAL SPEC. NA	PREPARED BY R. CHAPMAN	13-Jan-11
PROCESS SPEC. 9-3856-5 9-3895	ENGINEER IN CHARGE E. HICKEY	
	DESIGN MANAGER E. HICKEY	
	DESIGN ACTIVITY GROUP BLP	

AMPHENOL CORPORATION
 40-60 DELAWARE AVENUE
 SIDNEY, N.Y. 13838

CONNECTOR, FIBER OPTIC, MODULE, 2 MT

SIZE C	CAGE CODE 77820	DOCUMENT NO. 10-504637-004	REV. B
------------------	---------------------------	--------------------------------------	------------------

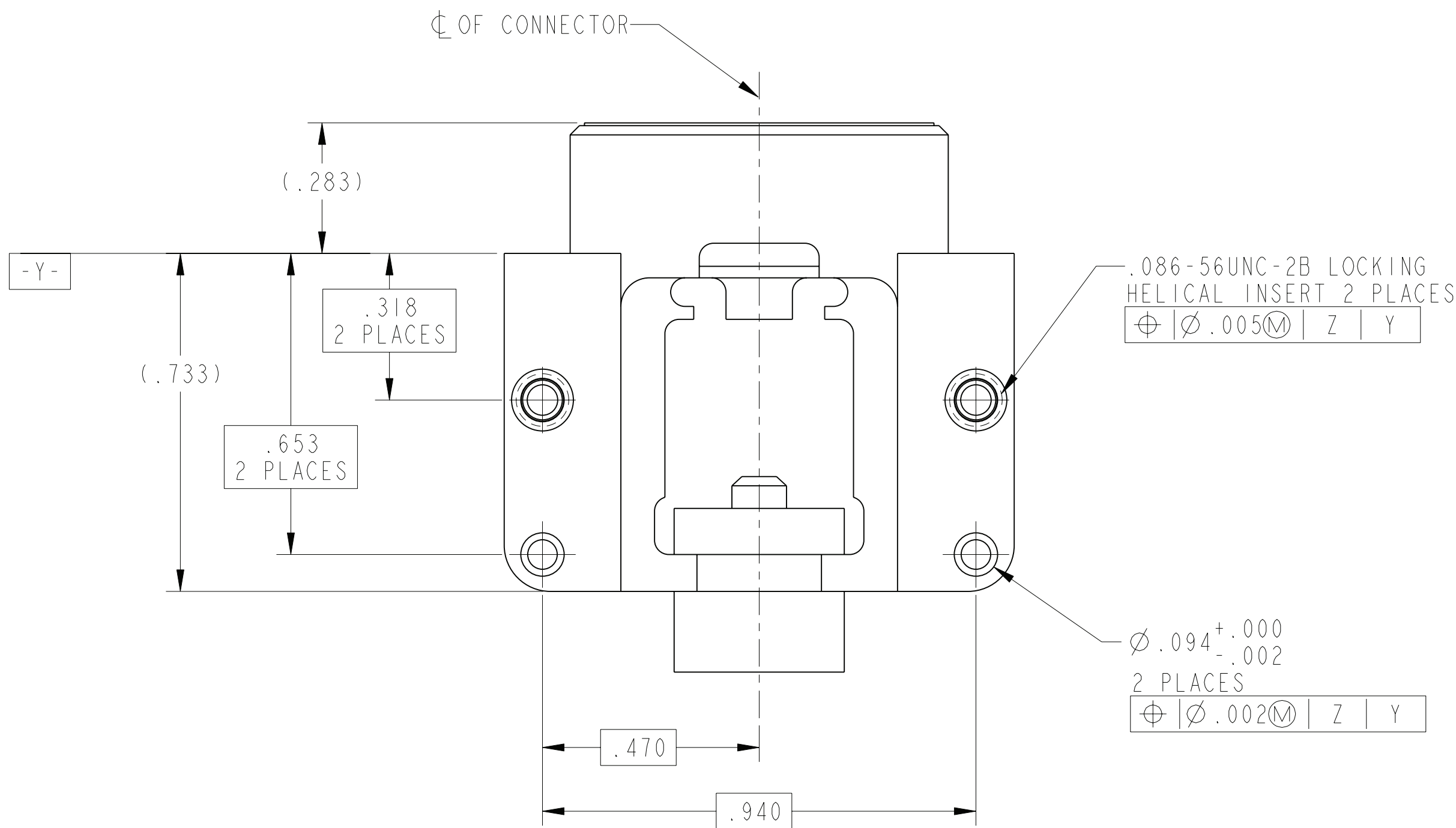
SCALE: 2.0 REF: 10-504637-003 SHEET 1 OF 4

PRO/ENGINEER INFORMATION	
N/A	Pro/e Model Used: 10-504637-004.ASSEM
N/A	Drawing Name: 10-504637-004
NEXT ASSEMBLY	

DOCUMENT NO. 10-504637-004
 SHEET 1 OF 4
 REV. B
 C
 B
 A

DOCUMENT NO. 10-504637-004
 SHEET 1 OF 4
 REV. B
 C
 B
 A

DOCUMENT NO. 10-504637-004
 SHEET 2 OF 4
 REV. B



VIEW AT B

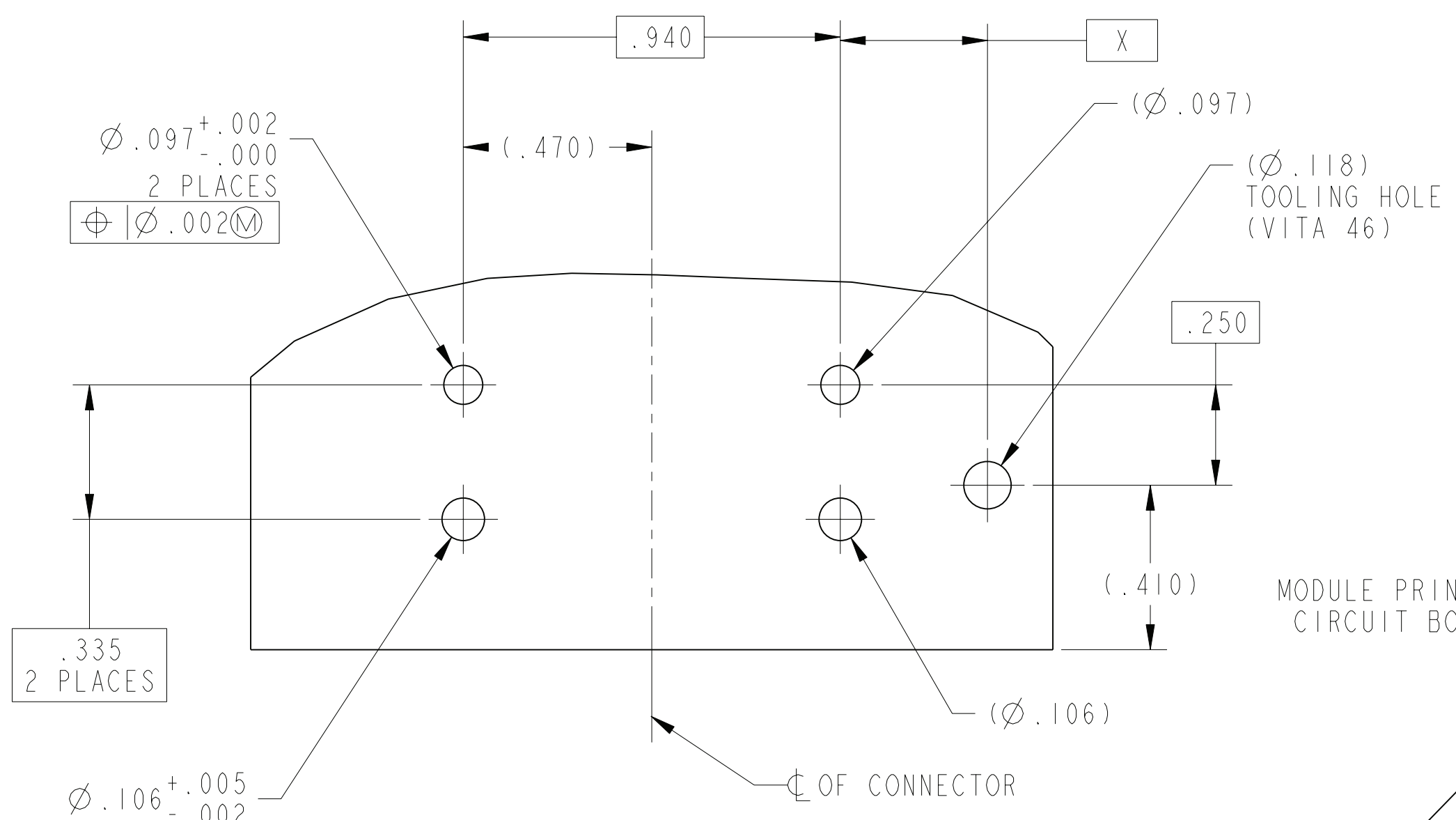
7. MT FERRULE (NOT INCLUDED) CAN NOT BE INSTALLED OR REMOVED UNLESS INSERT IS REMOVED FROM ASSEMBLY FIRST. REMOVE CONNECTOR FROM BOARD TO ACCESS MT FERRULE CLOSET TO BOARD.
6. FRONT INSERT ASSEMBLY, STRAIN RELIEFS AND MT PIN CLAMP ASSEMBLIES ARE SHIPPED UNASSEMBLED.
5. FRONT INSERT (F/N 2) IS REMOVABLE ONCE CONNECTOR IS ATTACHED TO MODULE FOR CLEANING BY UNTHREADING CAPTIVE SCREWS. SCREWS SHOULD BE INSTALLED TO 10-14 IN-OZ.
4. INSERT CAVITIES ARE FOR FIBER OPTIC MT FERRULES PER IEC 1754-5-4. MT FERRULES AND ASSOCIATED RIBBON CABLE ARE NOT PART OF THIS ASSEMBLY. GUIDE PINS FOR MT FERRULES ARE INCLUDED (F/N 4) IN THE ASSEMBLY.
3. FOR CONNECTOR INSTALLATION ILLUSTRATION AND MATED DIMENSIONS SEE SHEET 3.
2. FOR MATING BACKPLANE CONNECTOR ASSEMBLY, SEE DRAWING 10-504639-002.
1. BLACK INK STAMP "AMPHENOL" PART NUMBER AND DATE CODE ON INDICATED SURFACE PER 9-3856-5. DATE CODE PER 9-3895. CHARACTERS TO BE .062±.020 HIGH. ADDITIONAL INFORMATION MAY BE REQUESTED BY PURCHASE ORDER. STAMPING CAN BE ON BOTH SIDES OF PART.

THE USE OF THIS DOCUMENT IS UNLIMITED. HOWEVER, DOCUMENTS REFERENCED HEREON MAY CONTAIN LIMITED RIGHTS DATA.

SIZE C	CAGE CODE 77820	DOCUMENT NO. 10-504637-004	REV. B
SCALE: 2.0	REF. 10-504637-003	SHEET 2 OF 4	

DOCUMENT NO. 10-504637-004
 SHEET 2 OF 4
 REV. B

10-504637-004
 SHEET 3 OF 4
 REV. B
 C
 B
 A
 FORMAT: C-UIE-Rev-B

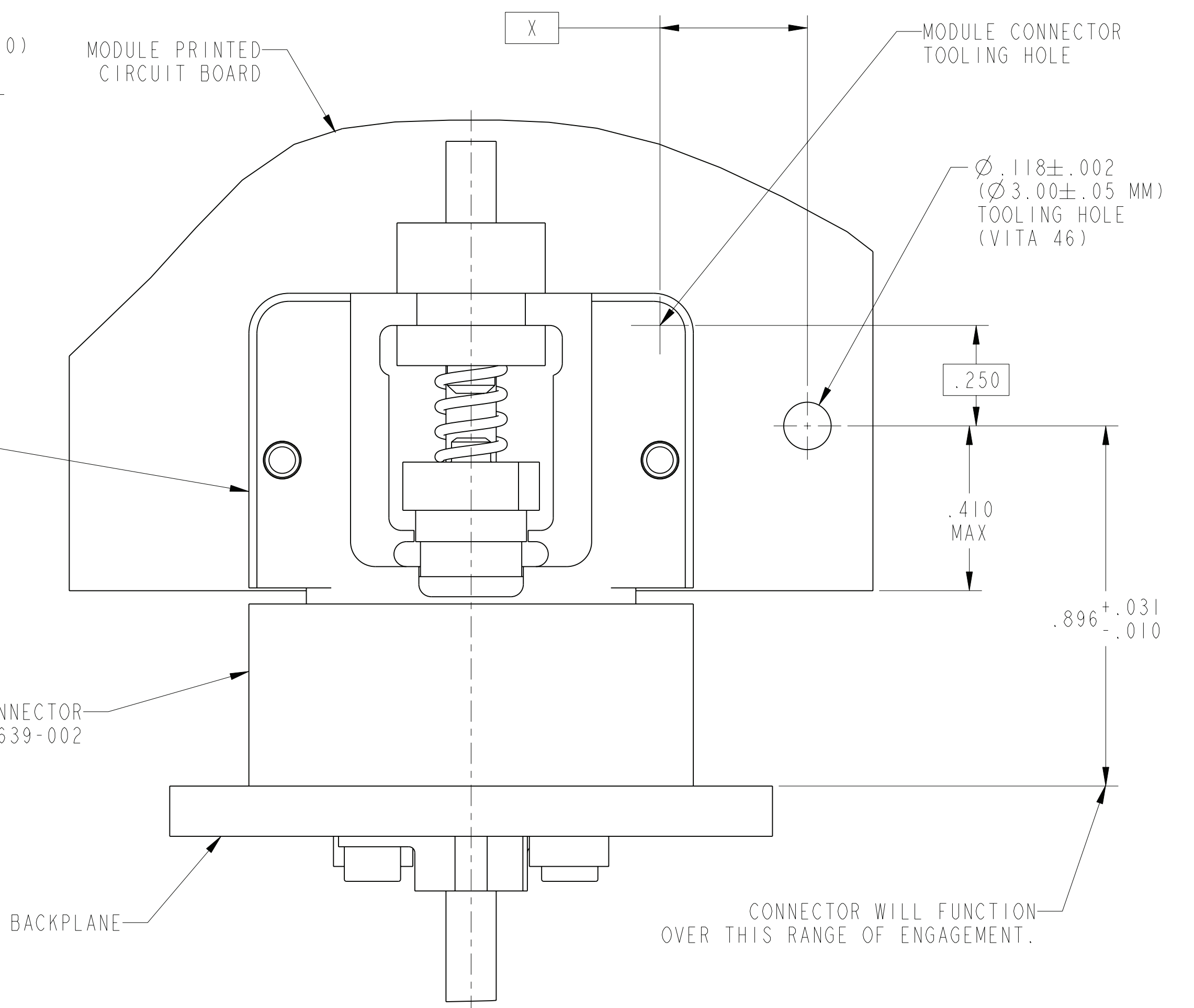


SUGGESTED MODULE PCB INTERFACE DIMENSIONS
 SCALE 3.000

CONNECTOR LOCATION ON MODULE PCB

POSITION	DIM "X" MM (INCH)
P2	53.73 (2.1154)
P3	96.55 (3.8012)
P4	125.35 (4.9350)
P5	154.15 (6.0689)
P6	182.95 (7.2028)

POSITIONS PER VITA 46

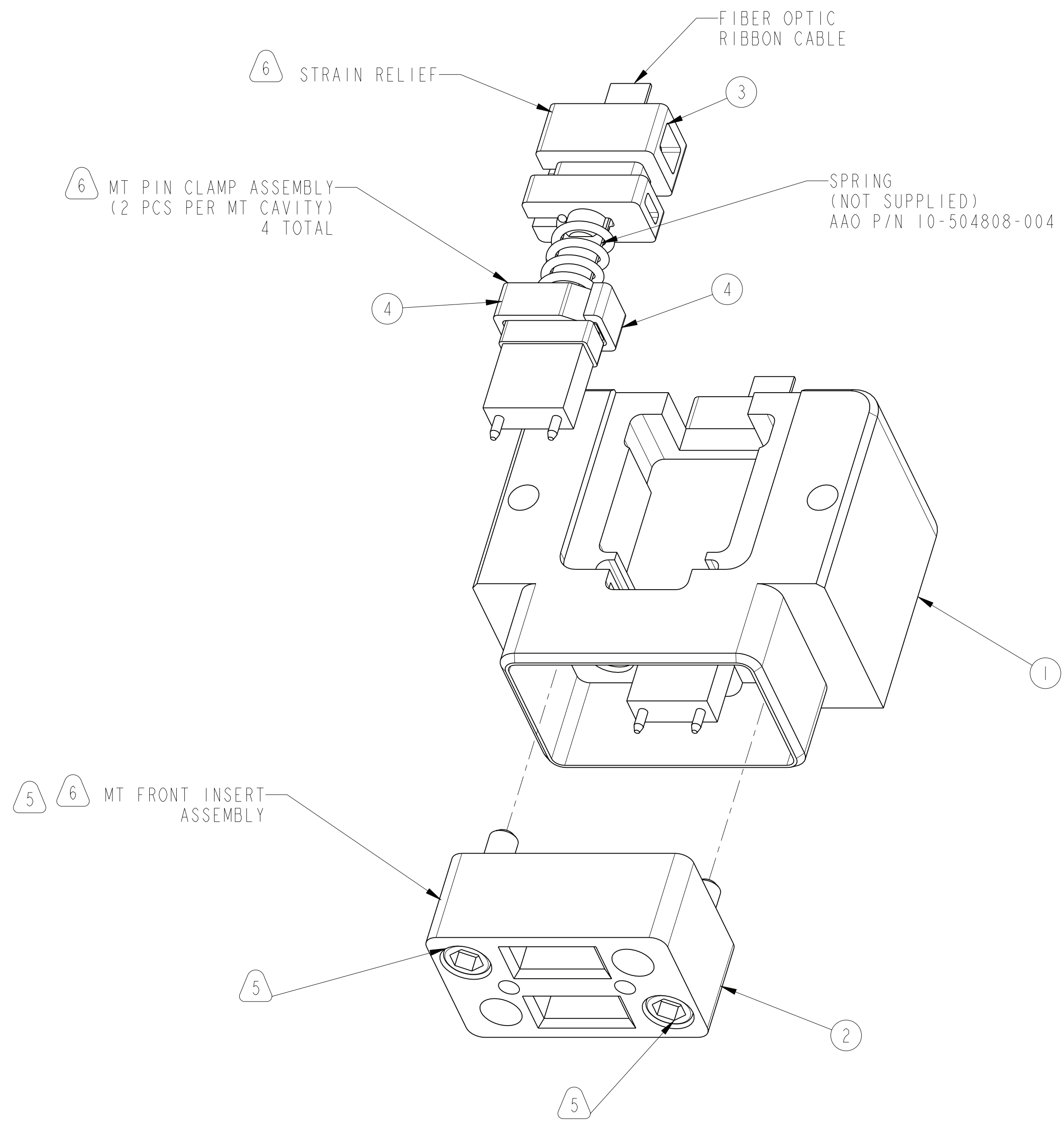


CONNECTOR INSTALLATION ILLUSTRATION AND MATED DIMENSIONS
 SCALE 4.000

THE USE OF THIS DOCUMENT IS UNLIMITED. HOWEVER, DOCUMENTS REFERENCED HEREON MAY CONTAIN LIMITED RIGHTS DATA.

SIZE C	CAGE CODE 77820	DOCUMENT NO. 10-504637-004	REV. B
SCALE: 2.0	REF. 10-504637-003	SHEET 3 OF 4	

10-504637-004
SHEET 4 OF 4
REV. B



**EXPLODED VIEW OF
MT ASSEMBLY**

SCALE 4.000

THE USE OF THIS DOCUMENT IS UNLIMITED.
HOWEVER, DOCUMENTS REFERENCED HEREON
MAY CONTAIN LIMITED RIGHTS DATA.

SIZE C	CAGE CODE 77820	DOCUMENT NO. 10-504637-004	REV. B
SCALE: 2.0	REF. 10-504637-003	SHEET 4 OF 4	

10-504637-004
SHEET 4 OF 4
REV. B