

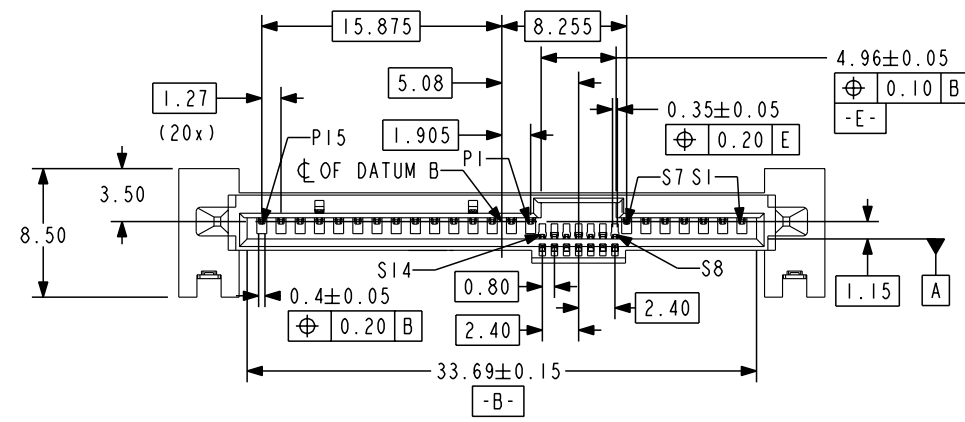
1

2

3

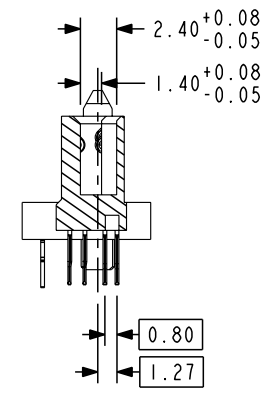
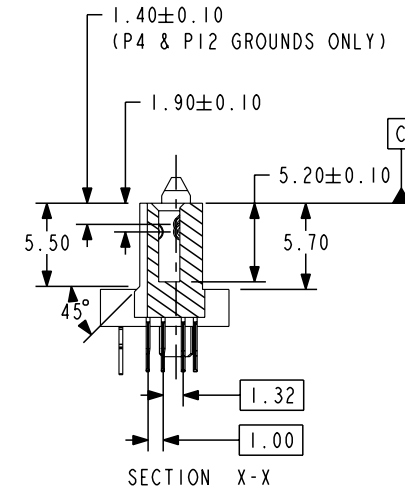
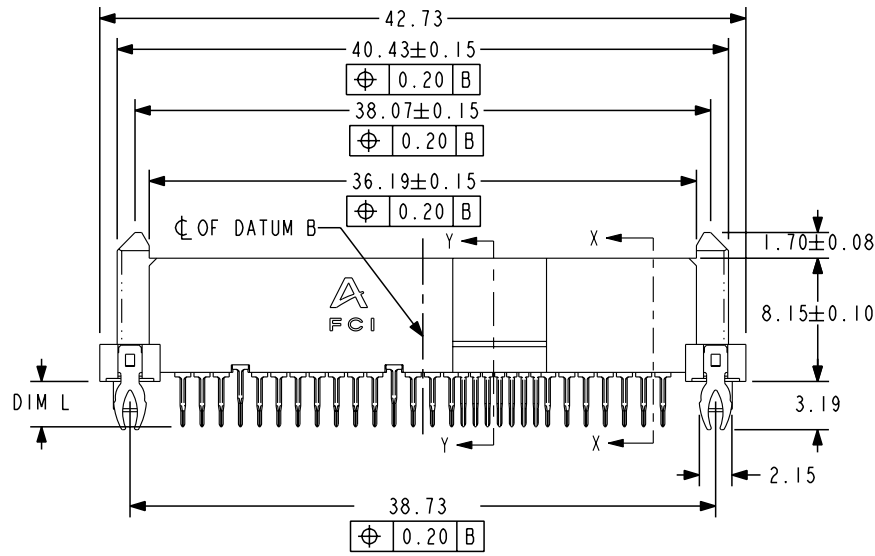
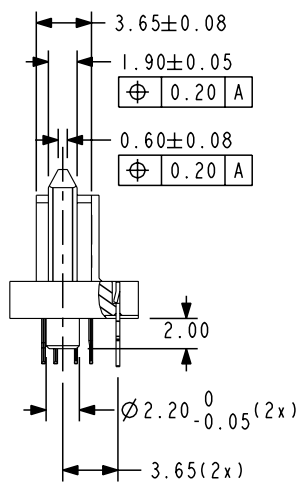
4

PRODUCT NO	DIM L	RECOMMENDED P.C. BOARD THICKNESS
10039748-001LF	2.70	1.57mm (0.062")/2.36mm (0.093")
10039748-002LF	3.60	2.36mm (0.093")



Tous droits strictement réservés. Reproduction ou communication à des tiers interdite sous quelque forme que ce soit sans autorisation écrite du propriétaire. Propriété de FCI. Droits de reproduction FCI.

A
FCI



All rights strictly reserved. Reproduction or issue to third parties in any form whatever is not permitted without written authority from the proprietor. Property of FCI. Copyright FCI.

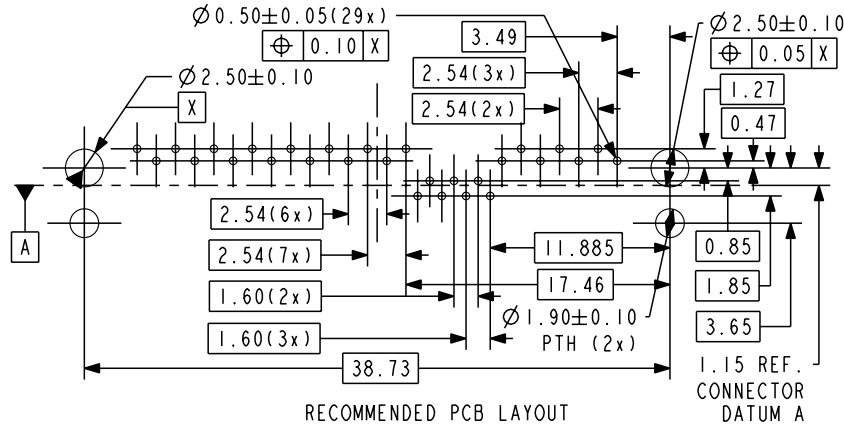
A FCI		www.fciconnect.com	surface <input checked="" type="checkbox"/>	tolerance +/- 0.20 +/- 2°	projection 	MM
Dr	YEO SS	19OCT05	Product family	SAS	size	A4
Eng	YEO SS	06DEC05	Spec ref		Scale	2:1
Chr	YEO SS	06DEC05	Material		ECN	S05-0360
Appr	JOEY NG	06DEC05				
title	SAS RECEPTACLE TH (WIDE BASE)			dwg no	10039748	Rev. A
catalog no				CUSTOMER	sheet 1 of 2	

rev	ecn no	dr	date
A	S05-0360	YSS	06DEC05
-	-	-	-
-	-	-	-
-	-	-	-
-	-	-	-
-	-	-	-

Tous droits strictement reserves. Reproduction ou communication a des tiers interdite sous quelque forme que ce soit sans autorisation écrite du propriétaire. Propriete de c FCI. Droits de reproduction FCI.



All rights strictly reserved. Reproduction or issue to third parties in any form whatever is not permitted without written authority from the proprietor. Property of FCI. Copyright FCI.



NOTE:

1. MATERIAL:

- A) HOUSING: HIGH TEMPERATURE THERMOPLASTIC, UL 94V-0
COLOUR: BLACK
- B) TERMINAL; COPPER ALLOY
- C) HOLD DOWN: COPPER ALLOY

2 FINISH (LEAD-FREE):

- A) TERMINAL: 30u" Au PLATING (CONTACT POINT) OVER
50u" NICKEL
 - B) SOLDER TAIL: 100u" MIN Sn OVER 50u" NICKEL
 - C) HOLD DOWN: 100u" min Sn OVER 50u" NICKEL
- 3 PER SFF REV 1.4 EXCEPT 0.8mm PITCH BUMP AREA.
4 THE HOUSING WILL WITHSTAND EXPOSURE TO 260°C PEAK TEMPERATURE FOR 10 SECONDS IN A CONVECTION, INFRA-RED OR VAPOR PHASE REFLOW OVEN.
5 THIS PRODUCT MEETS EUROPE UNION DIRECTIVES AND OTHER COUNTRY REGULATIONS AS DESCRIBED IN GS-22-008.
6 PART NUMBERS ENDING IN "LF" MEANS FOR NOTE 5 LEAD FREE IDENTIFICATION. P/N XXXXXXXX-XXXLF IS EQUIVALENT TO PREVIOUS P/N XXXXXXXX-XXX.

title	SAS RECEPTACLE TH (WIDE BASE)	dwg no	10039748	Rev.	A
catalog no	-	CUSTOMER	sheet 2 of 2		