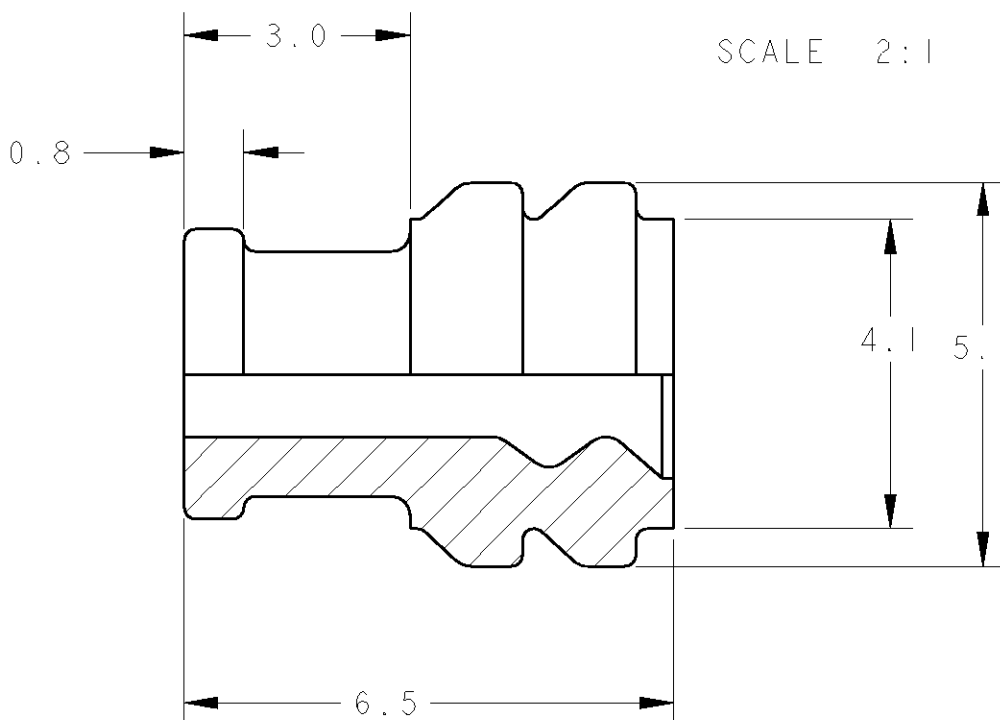


LOC	DIST	REVISIONS			
P	LTR	DESCRIPTION	DATE	DWN	APVD
GE	00	C	REV PER OK40-0318-01	22AUG01	AG KC



SCALE 2:1



1. MAT'L; SILICON, NON-LUBRICATED, 33-43 DUROMETER  
COLOR: BROWN

2. WIRE OUTER DIAMETER RANGE: 2.89 - 3.20

638865-1

PART NUMBER

DIMENSIONS: mm	DWN	F. KINSEY	05SEP2000	MATERIAL	1	FINISH	-
	CHK	C. HYRB	05SEP2000	Tyco Electronics Harrisburg, PA 17105-3608			
TOLERANCES UNLESS OTHERWISE SPECIFIED:	APVD	C. HYRB	05SEP2000				
0 PLC ±-	PRODUCT SPEC	NAME					
1 PLC ±.3	-	CABLE SEAL, 12 AWG					
2 PLC ±-	APPLICATION SPEC	JUNIOR POWER TIMER TERMINAL					
3 PLC ±-	-	SIZE	CAGE CODE	DRAWING NO	RESTRICTED TO		
4 PLC ±-	WEIGHT	A 4	00779	C=638865	-		
ANGLES ±-	-	CUSTOMER DRAWING				SCALE	10:1
		SHEET		1 OF 1		REV C	