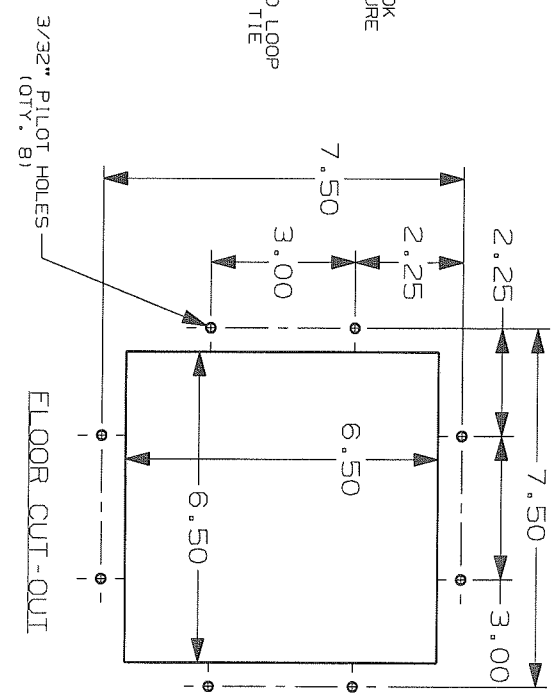
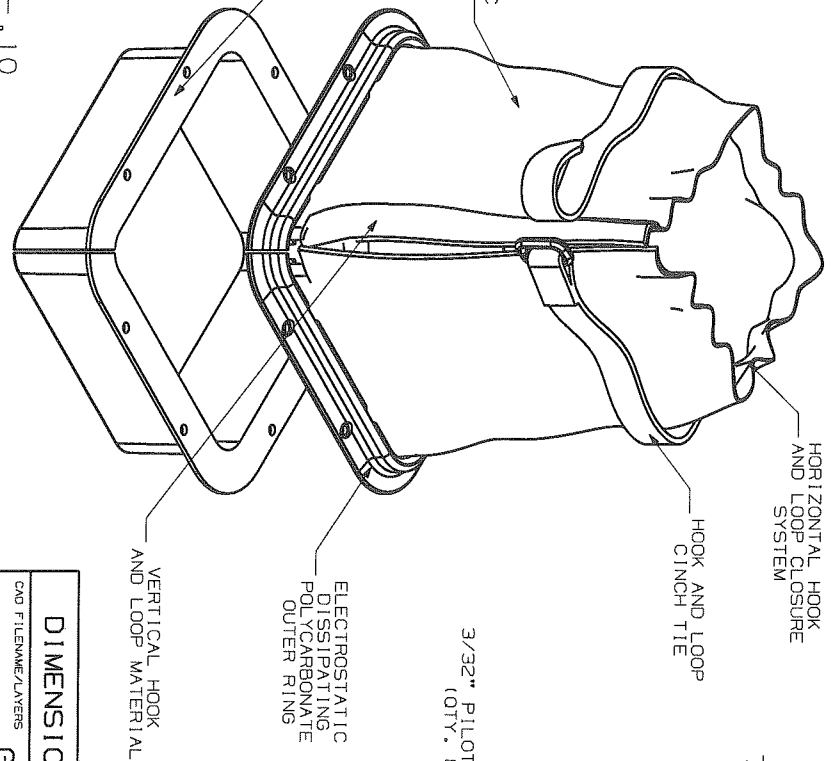
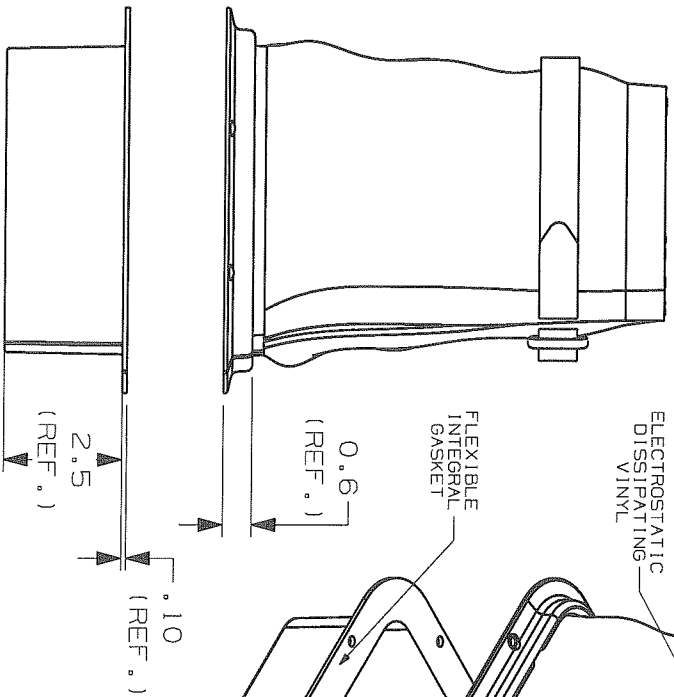
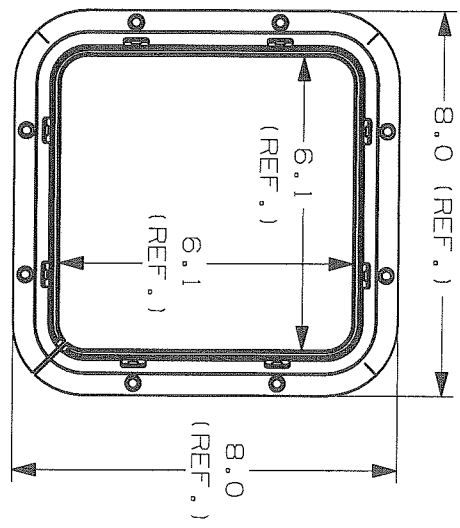


THIS COPY IS PROVIDED ON A RESTRICTED BASIS AND IS NOT TO BE USED IN ANY WAY DETRIMENTAL TO THE INTERESTS OF PANDUIT CORP.



NOTE:  
 1) PRODUCT INCLUDES PHILLIPS PANHEAD SELF-DRILL SCREWS, #6 x 5/8", (QTY 8).

REV	DATE	BY	CHK	DESCRIPTION	ECN	R	CUST	SUP
04B	08/13/08	ARHA		ADDED "Y" PART NUMBER, CHANGED REV. STYLE, FILENAME, AND CUT-OUT DIM'S.	GB3405VC	04B	KLW	
R	01/18/08	ARHA		INITIAL RELEASE	GB3405VC	R		

**PANDUIT** CORP. TINLEY PARK, ILLINOIS

RF68X8(Y)

**RAISED FLOOR GROMMET**

DIMENSIONS IN BRACKETS ARE METRIC (mm)

CAD FILENAME/LAYERS: G03405AB\_DC\_GB3405VC/04B

UNLESS OTHERWISE SPECIFIED, DIMENSIONAL TOLERANCES ARE:  
 (.XX) ±0.1 (2.5) (.XXX) ±0.010 (0.25)  
 (.XX) ±0.02 (0.5) ANGLES ±5°

UNLESS OTHERWISE SPECIFIED, ALL DIMENSIONS ARE GIVEN IN INCHES, THIRD ANGLE PROJECTION.

SCALE: 1:4

DRAWING NO.: GB3405VC

DWG SIZE: A

DATE: 01/18/08

CHK'D: KLW

DRAWN BY: ARHA

MAT'L: N/A