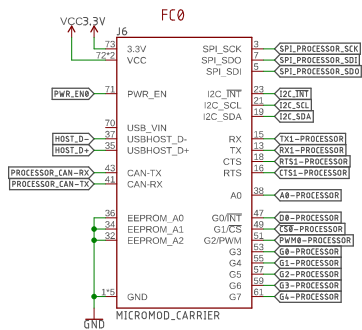


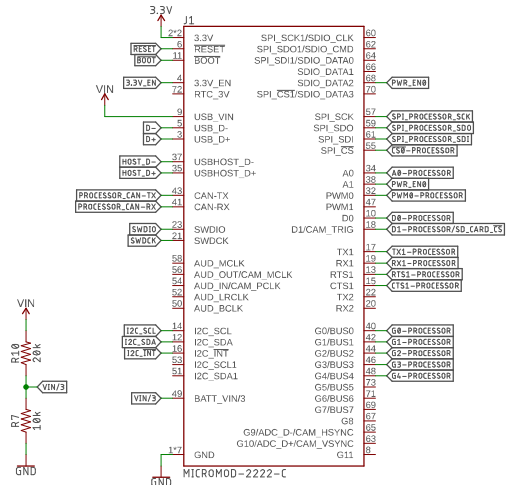
Function Board Connectors



Standoffs



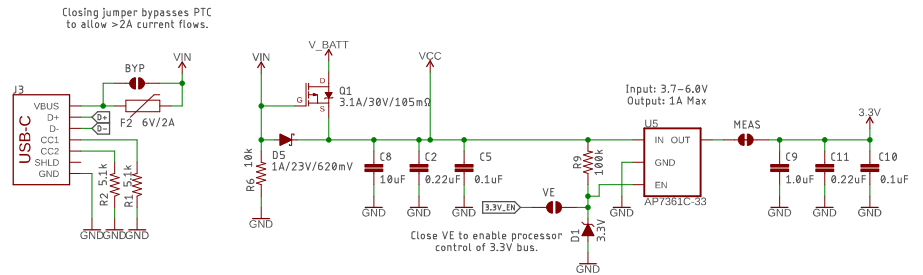
Processor Board Connector



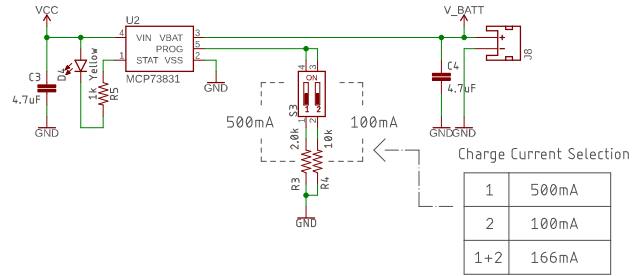
Standoff



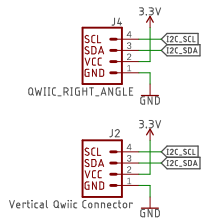
Processor Voltage Regulation



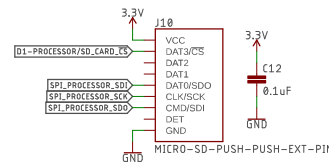
Lipo Battery Charger



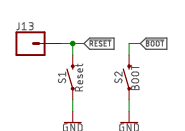
Connectors



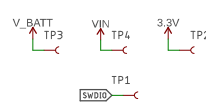
microSD Card



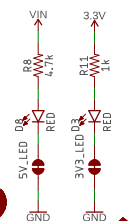
Buttons



Testpoints



LEDs



Released under the Creative Commons Attribution Share-Alike 4.0 License
<https://creativecommons.org/licenses/by-sa/4.0/>

TITLE: Main Board – Single

Design by: Elias Santistevan

Date: 10/22/2021 1:07 PM

REV: v11

Sheet: 1/1