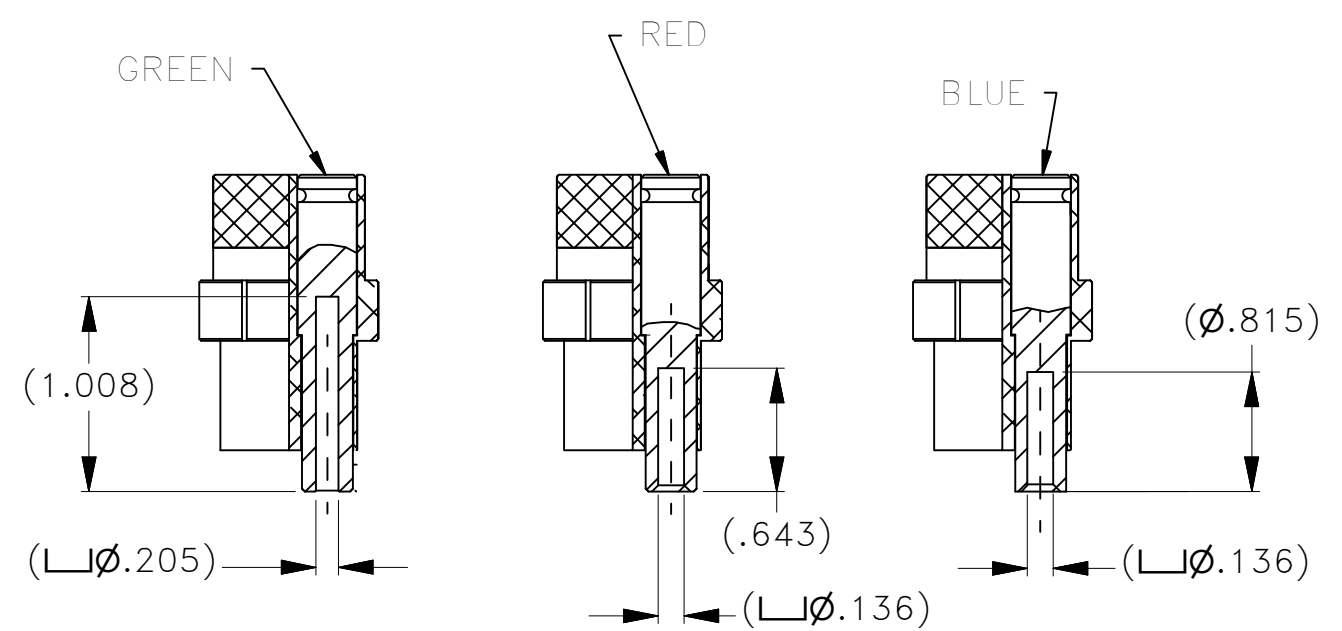
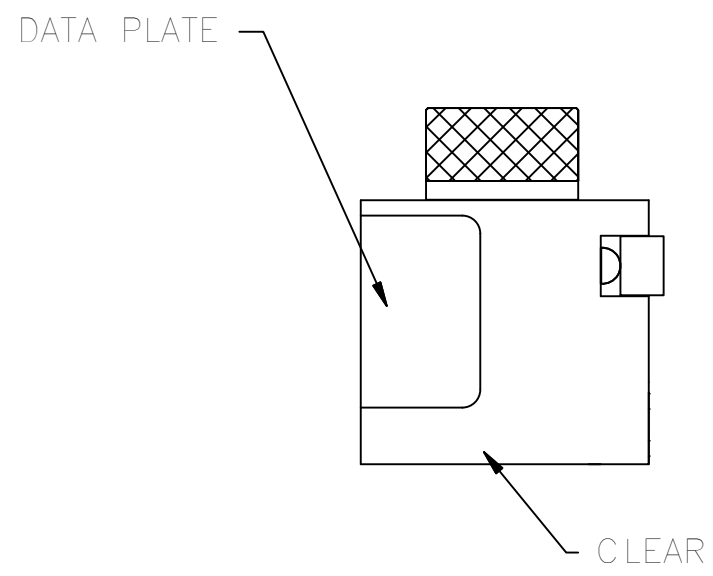
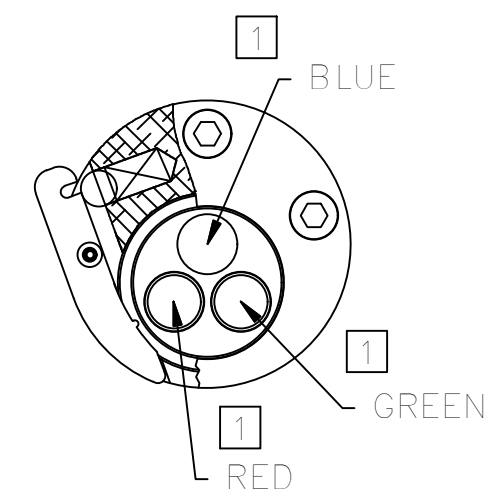


REVISIONS 616266-ENV				
REV SYM	ECO NUMBER	DESCRIPTION	BY DATE	APP'D DATE
A	XXXX	NEW RELEASE	ADI.G 02/09/15	DYO 02/09/15

UNCONTROLLED DOCUMENT  
WILL NOT BE UPDATED



CUSTOMER	CONTACT #		COLOR CODE	20	18	16	14	12	WIRE SIZE	SELECTOR NUMBER
	BENDIX									
	10-40552(S), 10-113239-15(S)		RED	4	5	6				
	10-229192-156									
	10-40553(P), 10-113239-15(P)									
	10-229193-156		BLUE	4	5	6				
	10-40557(P), 10-113239-16(P)									
	10-229192-166									
	10-40556(S), 10-113239-16(S)		GREEN	4	5	6			8	8
	10-229193-166									
	10-40560(S), 10-113239-12(S)									
	10-229192-126									
	10-40561(P), 10-113239-12(P)									
	10-229193-126									

DATA PLATE

NOTES:

1. RANDOM ORDER OF ROTATION IS ACCEPTABLE.
2. THIS IS AN ICAD DRAWING DO NOT CHANGE MANUALLY.

THESE DRAWINGS, SPECIFICATIONS OR OTHER DATA ARE THE PROPERTY OF ASTRO TOOL CORP. AND MUST BE RETURNED UPON REQUEST. THEY CONTAIN INFORMATION OWNED AND/OR DEVELOPED BY ASTRO AT ITS OWN PRIVATE EXPENSE AND MAY NOT BE USED, DUPLICATED OR DISCLOSED TO OTHERS, IN WHOLE OR IN PART FOR DESIGN, MANUFACTURE, OR PROCUREMENT WITHOUT THE WRITTEN PERMISSION OF ASTRO TOOL CORP. EACH AND EVERY TIME.	MATERIAL	N/A	ITEM	PART NO.	QTY.	DESCRIPTION/REMARKS		
	HEAT TREAT	N/A	DRN.	ADL.G	DATE	02/09/15		
	FINISH	N/A	CHK'D.	DYO	DATE	02/09/15		
	TOLERANCE:		UNLESS OTHERWISE SPECIFIED FRACTIONS ± 1/32 ANGLES ± 1° DECIMAL INCHES:		.X ± .030 .XX ± .010 .XXX ± .005 .XXXX ± .0005 REMOVE BURRS AND BREAK SHARP EDGES .005-.015			
CREATED FROM AN INVENTOR MODEL. CHANGES MUST BE REFLECTED IN THE 3D PART		DO NOT SCALE DRAWING		ASTRO TOOL CORP 21615 S.W. THIALATIN VALLEY HWY. BEAVERTON OR 97003		CAGE 58164		
ENVELOPE DRAWING 616266 TURRET ASSY				WHERE USED:	SIZE	SCALE	CAD P/N	SHEET OF
				B	XX	616266-ENV_RA	1	1
				POSTING	P/N	616266-ENV	REV.	A