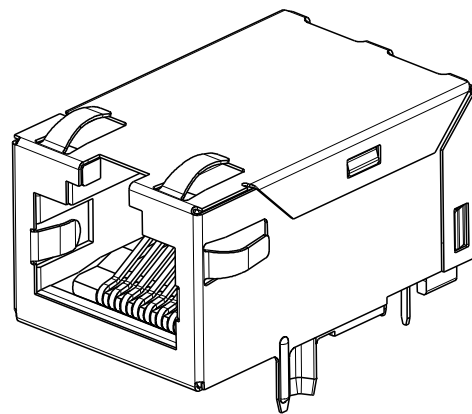
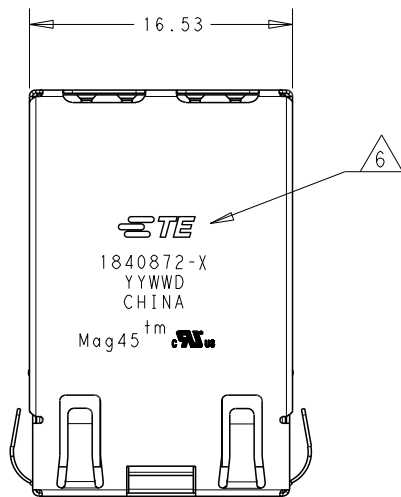


THIS DRAWING IS UNPUBLISHED. RELEASED FOR PUBLICATION 20
 © COPYRIGHT 20 TE CONNECTIVITY CORPORATION. ALL INTERNATIONAL RIGHTS RESERVED.

LOC	DIST	REVISIONS					
AA	00	P	LTR	DESCRIPTION	DATE	DWN	APVD
		1		INITIAL PROPOSAL	03FEB2010	TY	KZ
		2		ECO-10-021268	26OCT2010	SH	KZ
		A		ECO-10-025581	20DEC2010	SH	KZ
		B		ECO-11-019412	05MAR2012	PP	LJ



1 MATERIAL
 HOUSING: THERMOPLASTIC BLACK, FLAMMABILITY RATING UL 94V-0
 SHIELD: 0.20mm THICK, BRASS
 PREPLATED WITH MIN 0.76um SEMI-BRIGHT NICKEL
 POST-DIPPED WITH 2.54um MIN SAC SOLDER AT GROUND PINS.
 CONTACT TAILS: PHOSPHOR BRONZE,
 WITH 1.27um MIN OVERALL NICKEL UNDERPLATE AND
 SELECTIVE 1.27um MIN GOLD PLATING AT MATING INTERFACE
 SOLDER TAIL: 0.25mm THICK, PHOSPHOR BRONZE, 1.27um MIN OVERALL NICKEL
 UNDERPLATE, 3um MIN TIN PLATE.

2 RJ45 CAVITY CONFORMS TO FCC RULES AND REGULATIONS PART 68, SUB-PART F.

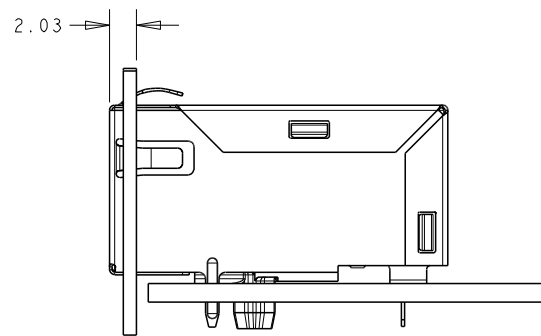
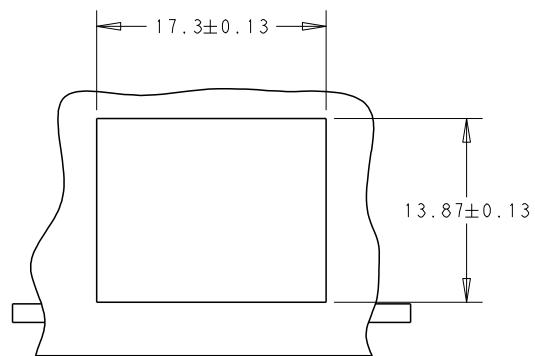
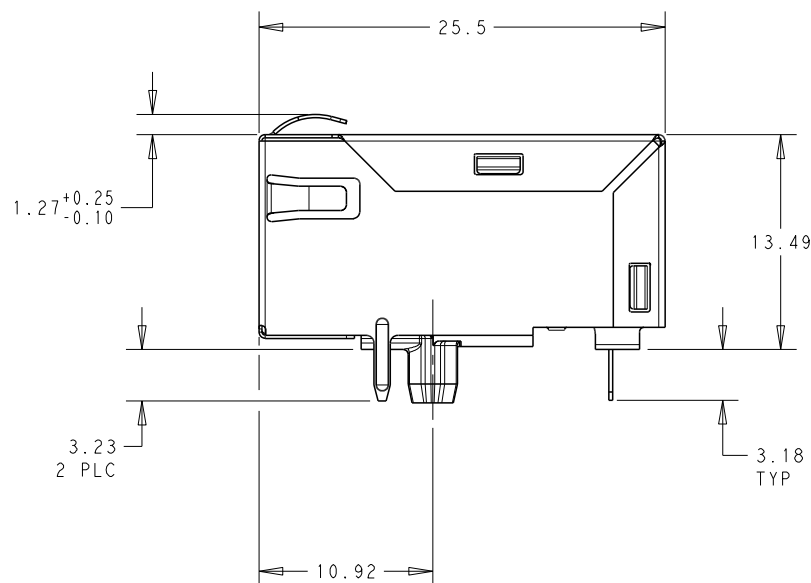
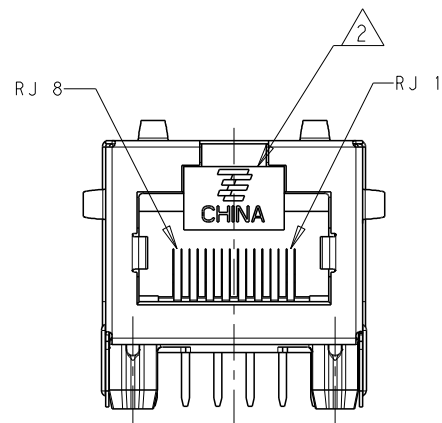
3 MAGNETICS
 -APPLICATION: 10/100 BASE-T.
 -IMPEDANCE: 100 OHMS
 -TURNS RATIO (CHIP:CABLE): TX = 1:1, RX = 1:1
 -OPEN CIRCUIT INDUCTANCE (OCL): 350uH MIN @100kHz, 0.1VRMS,
 8mADC BIAS FROM 0°C TO 70°C, TX AND RX
 -PERFORMANCE @ 25°C:
 INSERTION LOSS (IL): 1.1dB MAX FROM 0.5MHz TO 100MHz
 RETURN LOSS (RL): 18dB MIN FROM 0.5MHz TO 30MHz
 18-20LOG(f/30)dB MIN FROM 30.1MHz TO 60MHz
 12dB MIN FROM 60.1MHz TO 80MHz
 CROSSTALK ATTENUATION: 35dB MIN FROM 0.5MHz TO 40MHz
 33-20LOG(f/50)dB MIN FROM 40.1MHz TO 100MHz
 COMMON MODE REJECTION RATIO (CMRR): 30dB MIN FROM 0.5MHz TO 100MHz
 -ISOLATION VOLTAGE:2250VDC (MAX) FOR 60 SECONDS WITH A RISE TIME
 OF 500V/SEC.

4. OPERATING TEMPERATURE: 0°C TO 70°C

5 THE MAGNETIC CIRCUITS ARE SYMMETRICAL TO SUPPORT AUTO-MDIX OPERATION.

6 TE CONNECTIVITY LOGO, PART NUMBER, DATE CODE, COUNTRY OF ORIGIN, AGENCY APPROVAL MARKING LOGO LOCATED IN THE APPROXIMATE AREA SHOWN. DATE CODE YY IS YEAR, WW IS WORK WEEK, D IS DAY OF WEEK, WITH SUNDAY=1

7. THE PART IS RECOMMENDED FOR WAVE SOLDERING PROCESS, PREHEAT TEMPERATURE IS 120°C TO 160°C, 120 SECONDS TO 180 SECONDS, PEAK WAVE SOLDERING TEMPERATURE IS 260°C MAX, 10 SECONDS MAX.



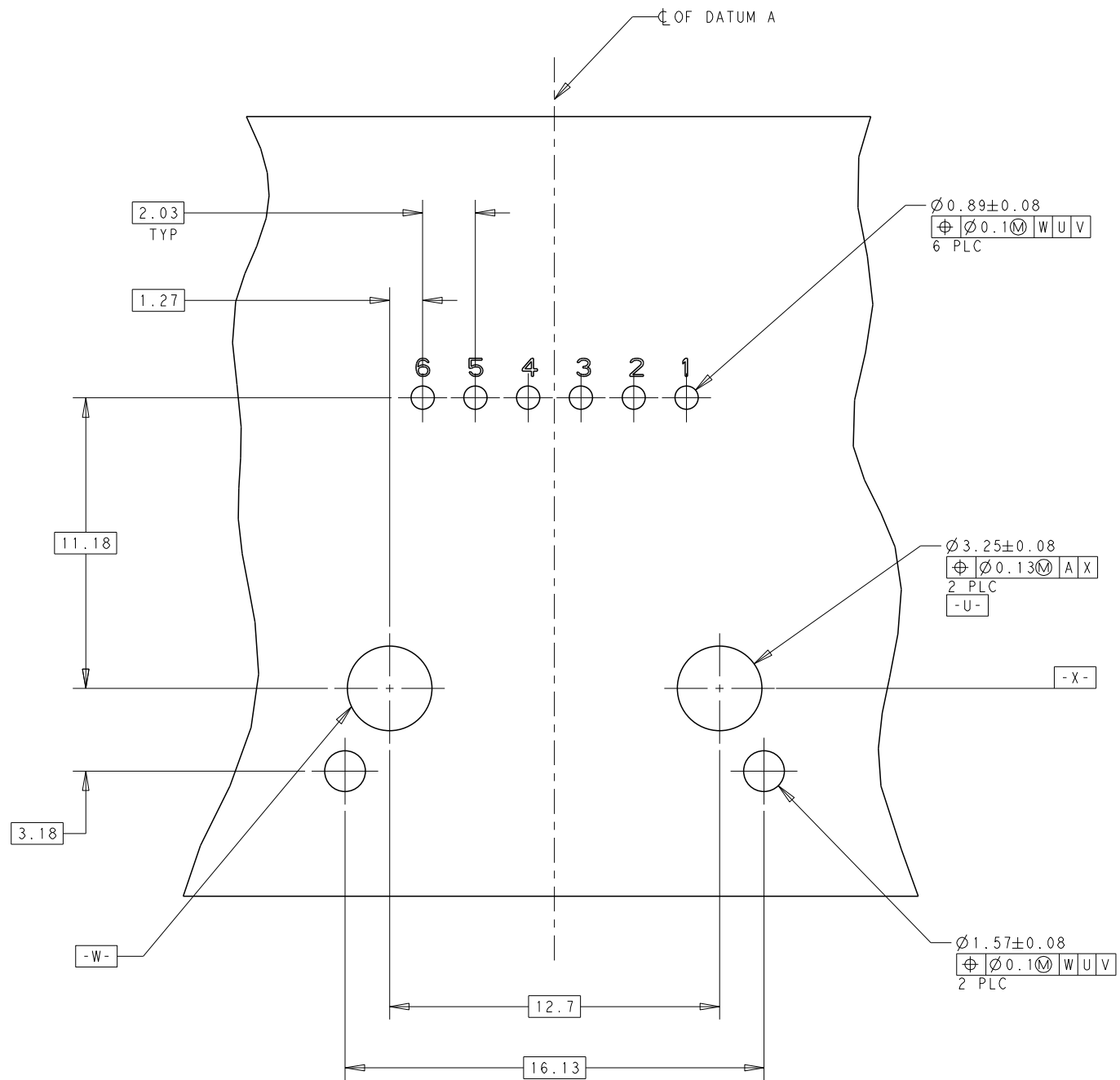
SUGGESTED PANEL CUTOUT

CONNECTOR ASSEMBLED TO PANEL AND PCB

1840872-1
 PART NUMBER

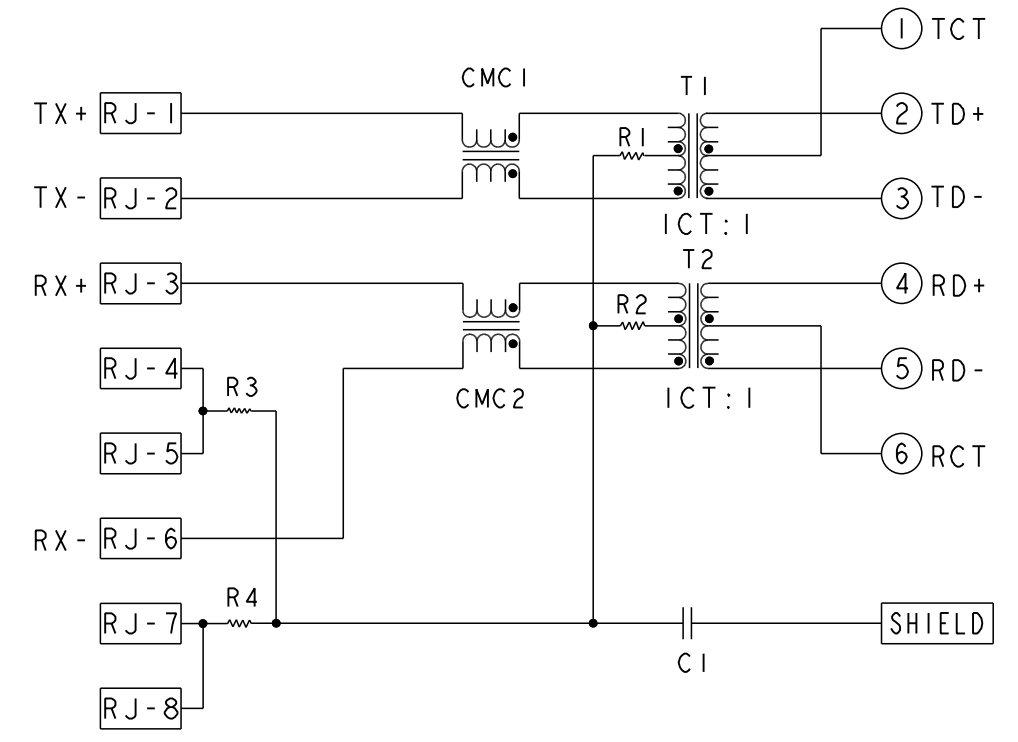
THIS DRAWING IS A CONTROLLED DOCUMENT.		DWN TERRY YU 31JAN10	TE Connectivity	
DIMENSIONS: mm		CHK TONY YUAN 31JAN10		
TOLERANCES UNLESS OTHERWISE SPECIFIED:		APVD KEITH ZHU 31JAN10	NAME 1X1 MAG45(TM) MODULAR JACK, 726P12 10/100 CIRCUIT, SHIELD, NO LEDS	
0 PLC ±0.25 1 PLC ±0.25 2 PLC ±0.25 3 PLC ±0.25 4 PLC ± ANGLES ±1° FINISH		PRODUCT SPEC 108-104004	SIZE A2	CAGE CODE 00779
MATERIAL		APPLICATION SPEC	DRAWING NO C=1840872	RESTRICTED TO
		WEIGHT	SCALE 3:1	SHEET 1 OF 2
		CUSTOMER DRAWING	REV B	

LOC	DIST	REVISIONS			
P	LTR	DESCRIPTION	DATE	DWN	APVD
AA	00	SEE SHEET 1	-	-	-



RECOMMENDED PCB LAYOUT
 COMPONENT SIDE VIEW
 TOLERANCE: ± 0.05

726P12 10/100 CIRCUIT $\triangle 5$



C1 = 1000pF, 2kV, DECOUPLING CAP
 R1 ~ R4 = 75Ω, 1/16W, RESISTORS

THIS DRAWING IS A CONTROLLED DOCUMENT.		DWN TERRY YU 31JAN10	TE Connectivity	
DIMENSIONS: mm		CHK TONY YUAN 31JAN10	NAME 1X1 MAG45(TM) MODULAR JACK, 726P12 10/100 CIRCUIT, SHIELD, NO LEDS	
TOLERANCES UNLESS OTHERWISE SPECIFIED: 0 PLC ±0.25 1 PLC ±0.25 2 PLC ±0.25 3 PLC ±0.25 4 PLC ±0.25 ANGLES ±1° FINISH		APVD KEITH ZHU 31JAN10	PRODUCT SPEC 108-104004	
MATERIAL		APPLIC. SPEC	SIZE A2	CAGE CODE 00779
		WEIGHT	DRAWING NO C=1840872	RESTRICTED TO
		CUSTOMER DRAWING	SCALE 3:1	SHEET 2 OF 2