



2 Westbrook Corporate Center
Westchester, IL 60154
United States

To Whom It May Concern,

This is to inform you that Esentra has made the decision to obsolete part numbers SCHS-2-H and SCH-2-H from our offering. You are being notified because you have ordered one or more of these parts in the past.

We can offer part numbers SCHS-2 and SCH-2 as replacement parts. These replacement parts are the same parts without hardware. Please see below for details.

The effective date is June 30, 2022. If you have further questions or are interested in inquiring about any remaining available stock, please speak with your sales contact.

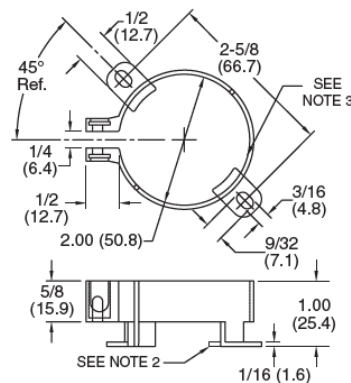
Best Regards,

Greg Mifsud

Greg Mifsud

Director of Products & Pricing

**SCH/SCHS Series
Standoff Capacitor Holders**



Specifications:

- Material: UL94 HB Glass Filled Nylon 6/6
- Color: Black

Optional:

1. Clamping hardware; Screw (S6B)
Stainless Steel, Zinc Plating;
Quick Nut (QN-6) Spring Steel C1050,
Coating: Black Phosphate
2. Spacer to elevate capacitor 3/32 (2.4)
from chassis
3. Anti-rotation rib (3 locations)

Item No.	Description	Bulk Pack Qty
SCHS-2	w/ Spacer, w/o Hardware (see 1 above)	100
SCH-2	w/o Spacer, w/o Hardware	100
SCHS-2-H	w/ Spacer, w/ Clamping Hardware	100
SCH-2-H	w/o Spacer, w/ Clamping Hardware	100