

THE INFORMATION CONTAINED HEREIN IS CONSIDERED "PROPRIETARY" TO BEL FUSE INC. AND SHALL NOT BE COPIED, REPRODUCED OR DISCLOSED WITHOUT THE WRITTEN APPROVAL OF BEL FUSE INC.

RoHS



LED1 POLARITY			LED2 POLARITY		
PIN 13	PIN 14	COLOR	PIN 15	PIN 16	COLOR
-	+	YELLOW	-	+	GREEN
			+	-	ORANGE

ELECTRICAL CHARACTERISTICS @ 25°C

URNS RATIO

TX 1CT : 1
 RX 1CT : 1

□CL @ 100kHz/100mVRMS (0-70°C)
 8mA DC BIAS 350µH MIN.

INS. LOSS
 0.1MHz TO 1MHz -1.1 dB MAX
 1MHz TO 65MHz -0.5 dB MAX
 65MHz TO 100MHz -0.8 dB MAX
 100MHz TO 125MHz -1.2 dB MAX

RET. LOSS (MIN) @ 100 ΩHMS +/- 15%
 0.5MHz-40MHz -18 dB
 40MHz-100MHz -12+20LOG(f/80MHz) dB

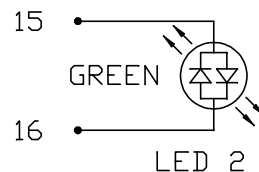
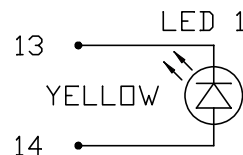
CM TO CM REJ
 100kHz - 100MHz -30 dB MIN

CM TO DM REJ
 100kHz - 100MHz -35 dB MIN

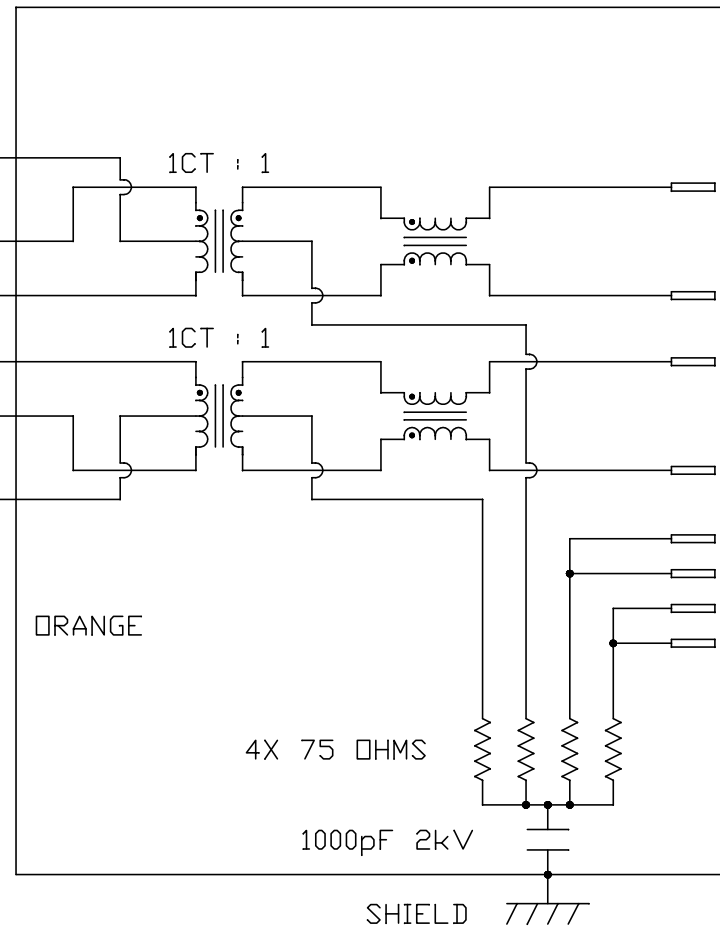
HIPOT (Isolation Voltage): 1500 Vrms
 100% OF PRODUCTION TESTED TO COMPLY WITH IEEE 802.3 ISOLATION REQUIREMENTS.

LED 1
 VF (FORWARD VOLTAGE) IF=20mA YELLOW 2.1V TYP.
 λD (DOMINANT WAVELENGTH) IF=20mA YELLOW 590nm TYP.

LED 2
 VF (FORWARD VOLTAGE) IF=20mA GREEN 2.2V TYP.
 ORANGE 2.0V TYP.
 λD (DOMINANT WAVELENGTH) IF=20mA GREEN 570nm TYP.
 ORANGE 605nm TYP.



SCHEMATIC



RJ45
 1 TX+
 2 TX-
 3 RX+
 6 RX-
 4
 5
 7
 8

REV. : E PAGE : 2

ORIGINATED BY
 CHOW WANCHUNG
 DATE 2015-01-02
 DRAWN BY
 HU XIANG
 DATE 2015-01-02

TITLE
 10/100 MagJack®
 (Ultra Low Profile)
 PATENTED

PART NO. / DRAWING NO.
 L829-1X1T-91
 FILE NAME
 L829-1X1T-91_E.DWG

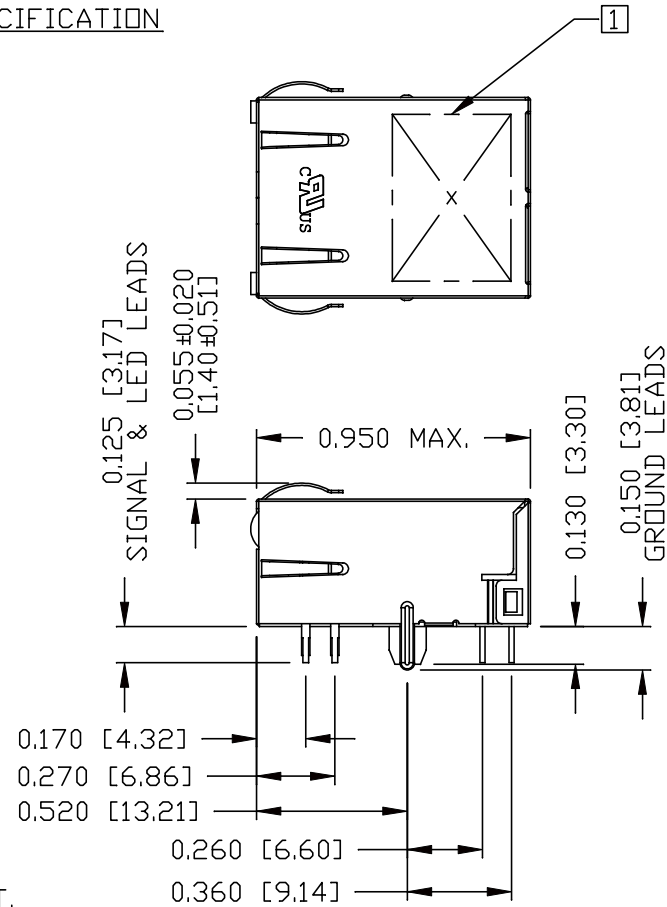
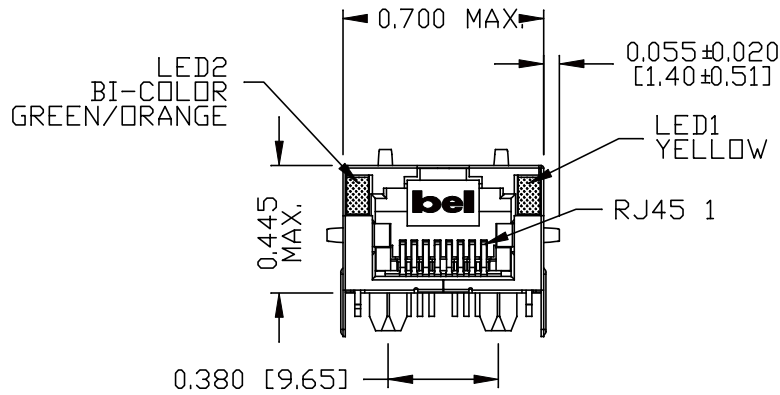
STANDARD DIM. [] METRIC DIM.
 TOL. IN INCH AS REF.
 .X UNIT : INCH [mm]
 .XX SCALE : N/A
 .XXX SIZE : A4



THE INFORMATION CONTAINED HEREIN IS CONSIDERED 'PROPRIETARY' TO BEL FUSE INC. AND SHALL NOT BE COPIED, REPRODUCED OR DISCLOSED WITHOUT THE WRITTEN APPROVAL OF BEL FUSE INC.

MECHANICAL SPECIFICATION

RoHS



NOTES:

- PLASTIC HOUSING: THERMOPLASTIC PA, FLAMMABILITY RATING UL 94V-0
- CONTACTS: 30 MICRO-INCH HARD GOLD PLATING OR EQUIVALENT.
- OUTPUT PINS: TIN-COATED COPPER WIRE, DIA 0.018 INCH.
- METAL SHIELD: NICKEL PLATED ON COPPER ALLOY. (ALL GROUND LEADS ARE SOLDER DIPPED)

1. MARK PART WITH MFG. LOGO, MFG. NAME, PART NUMBER AND DATE CODE AND PATENTED.

UL RECOGNIZED - FILE #E196366 AND E169987.

2. THE PRODUCT IS RoHS COMPLIANT.

- 3. JACK CAVITY CONFORMS TO FCC RULES AND REGULATIONS.
- 4. THE PRODUCT IS PATENT PRODUCT. THE PATENT NUMBER ARE U.S. PAT. 5,736,910 AND U.S. PAT. 6,840,817.

REV. :	E	PAGE :	3
--------	---	--------	---

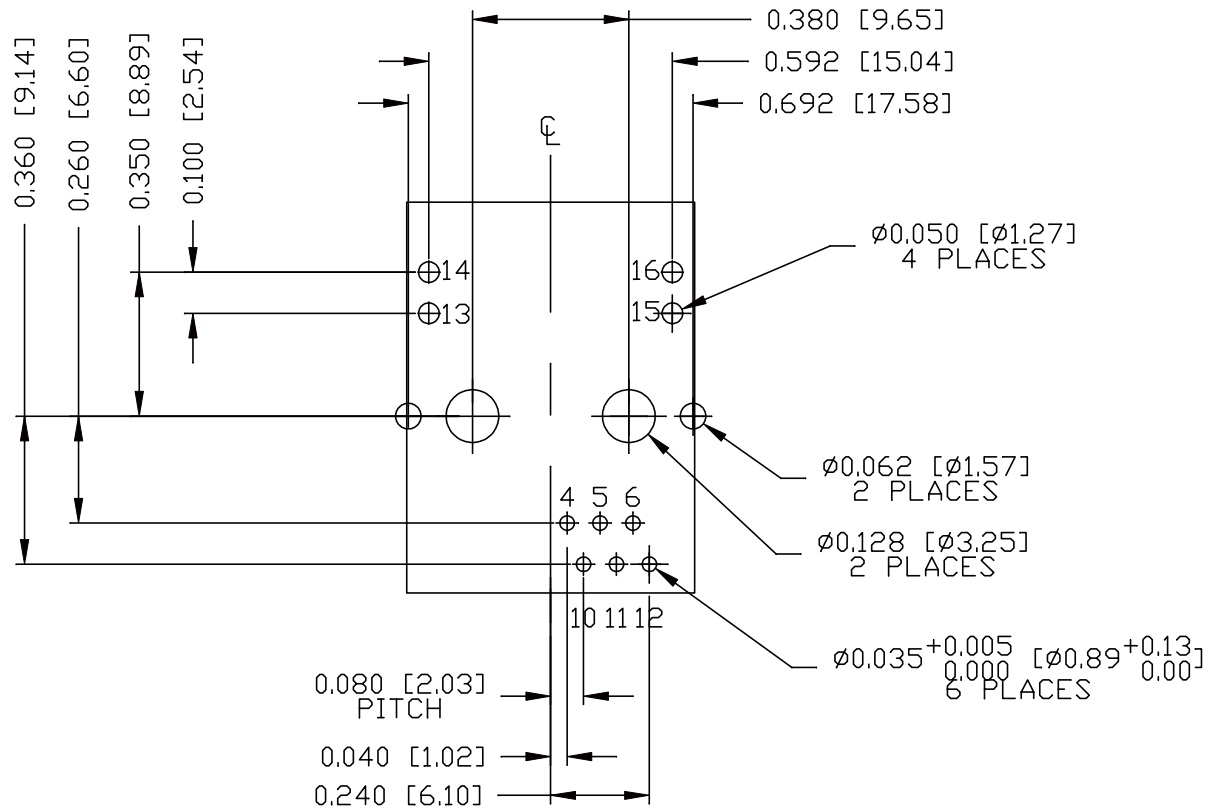
ORIGINATED BY LI QUANKUN DATE 2015-01-02	TITLE 10/100 Magjack® (Ultra Low Profile) PATENTED	PART NO. / DRAWING NO. L829-1X1T-91	STANDARD DIM. TOL. IN INCH	[] METRIC DIM. AS REF.
		FILE NAME L829-1X1T-91_E.DWG	.X .XX .XXX	UNIT : INCH [mm] SCALE : N/A SIZE : A4



THE INFORMATION CONTAINED HEREIN IS CONSIDERED "PROPRIETARY" TO BEL FUSE INC. AND SHALL NOT BE COPIED, REPRODUCED OR DISCLOSED WITHOUT THE WRITTEN APPROVAL OF BEL FUSE INC.



RECOMMENDED PCB FOOTPRINT
COMPONENT SIDE VIEW



REV. : E PAGE : 4

ORIGINATED BY
LI QUANKUN
DATE 2015-01-02
DRAWN BY
ZHANG XUEZHENG
DATE 2015-01-02

TITLE
10/100 Magjack®
(Ultra Low Profile)
PATENTED

PART NO. / DRAWING NO.
L829-1X1T-91
FILE NAME
L829-1X1T-91_E.DWG

STANDARD DIM. TOL. IN INCH	[] METRIC DIM. AS REF.
.X	UNIT : INCH [mm]
.XX	SCALE : N/A
.XXX ±0.004	SIZE : A4

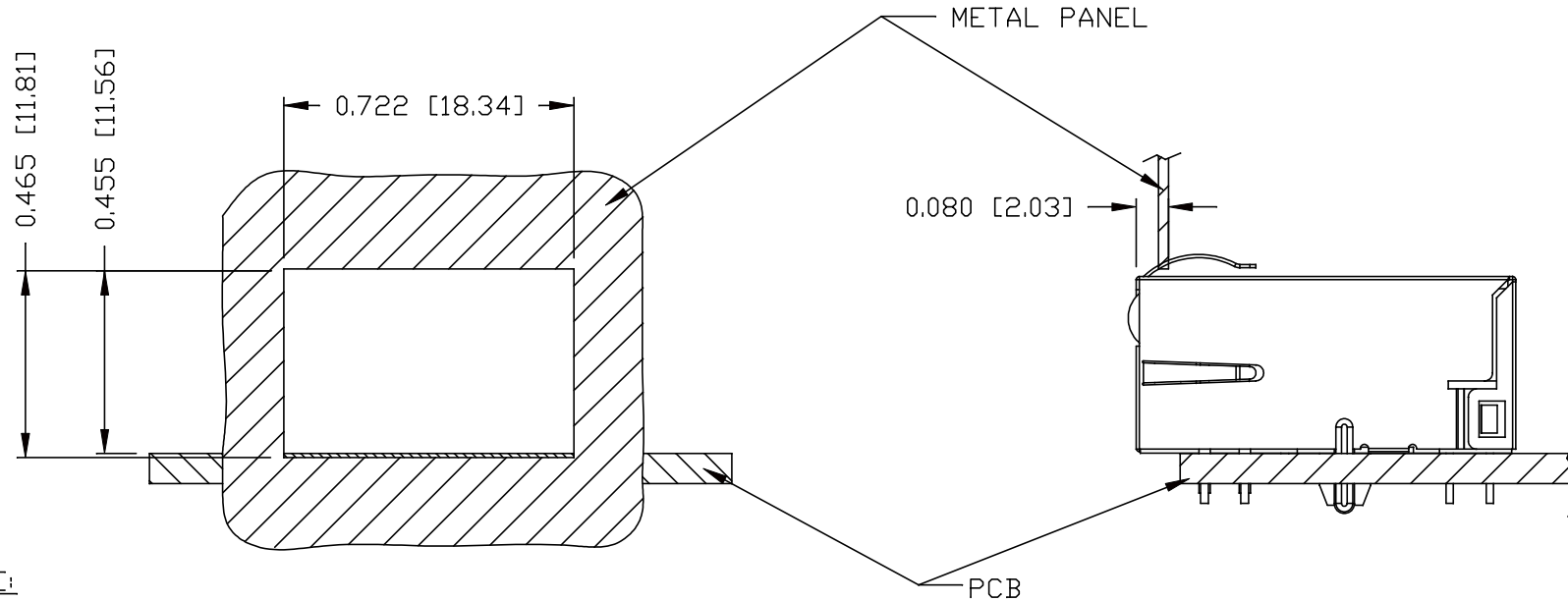


THE INFORMATION CONTAINED HEREIN IS CONSIDERED "PROPRIETARY" TO BEL FUSE INC. AND SHALL NOT BE COPIED, REPRODUCED OR DISCLOSED WITHOUT THE WRITTEN APPROVAL OF BEL FUSE INC.

RoHS



SUGGESTED PANEL OPENING



NOTE:

THE DISTANCE OF PANEL INSIDE SURFACE RELATIVE TO FRONT SURFACE OF PART IS ONLY A SUGGESTION. IN CASE THIS DISTANCE IS DIFFERENT, THE REQUIRED PANEL OPENING DIMENSIONS CHANGE ACCORDINGLY.

TRAY PACKING INFORMATION

PACKING TRAY : 0200-9999-E4 (TOP)

0200-9999-E5 (BOTTOM)

PACKING QUANTITY : 60 PCS FINISHED GOODS PER TRAY

11 TRAYS (660 PCS FINISHED GOODS) PER CARTON BOX

NOTE : CARDBOARDS ARE PLACED BETWEEN LAYERS OF PACKING TRAY INSIDE CARTON BOX
(INCLUDE THE UPPERMOST AND LOWERMOST TRAY)

REV. : E	PAGE : 5
	
a bel group	

ORIGINATED BY LI QUANKUN DATE 2015-01-02	TITLE 10/100 MagJack® (Ultra Low Profile) PATENTED	PART NO. / DRAWING NO. L829-1X1T-91	STANDARD DIM. TOL. IN INCH	<input type="checkbox"/> METRIC DIM. AS REF.
		FILE NAME L829-1X1T-91_E.DWG	.X .XX .XXX	UNIT : INCH [mm] SCALE : N/A SIZE : A4