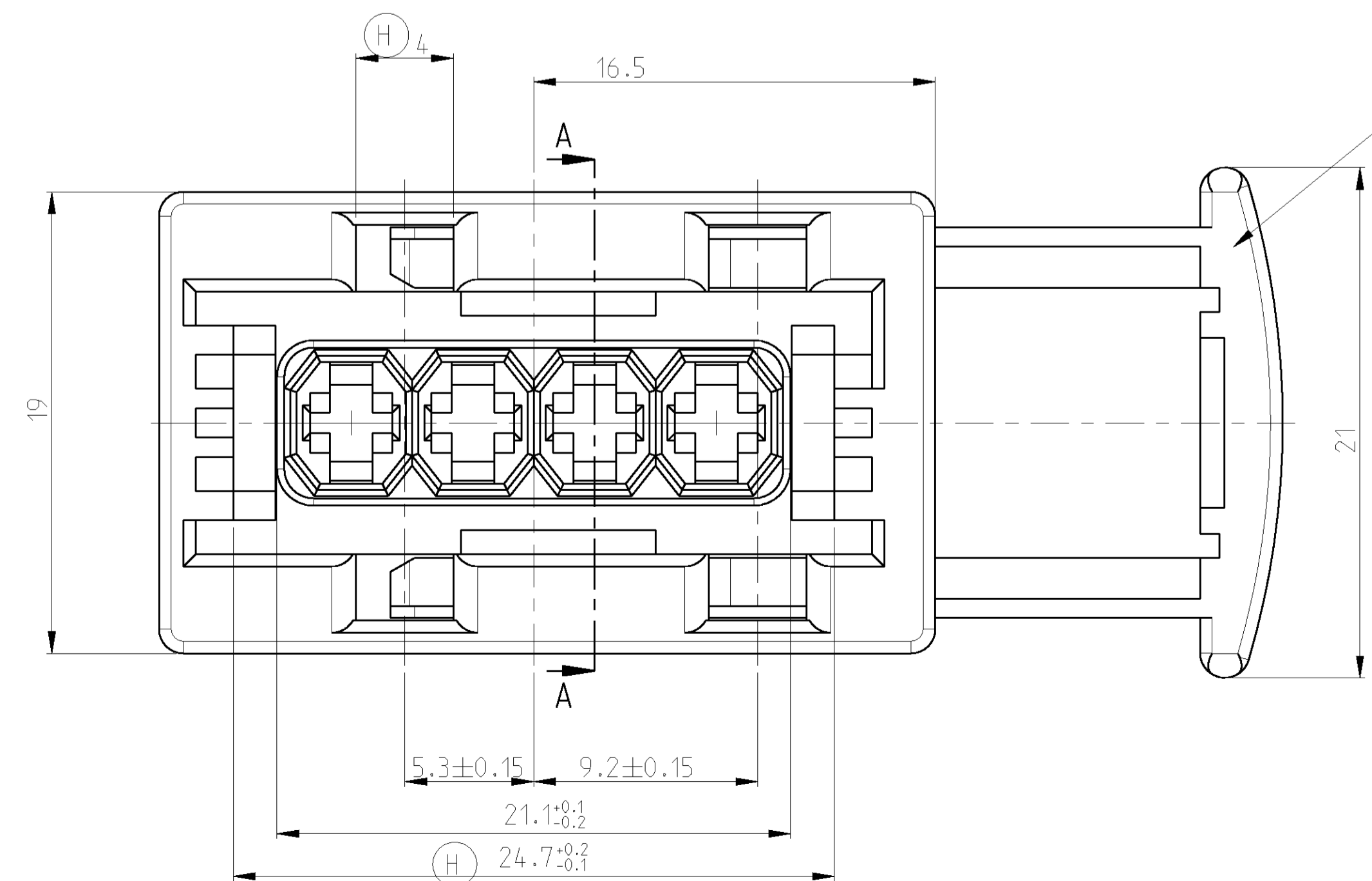
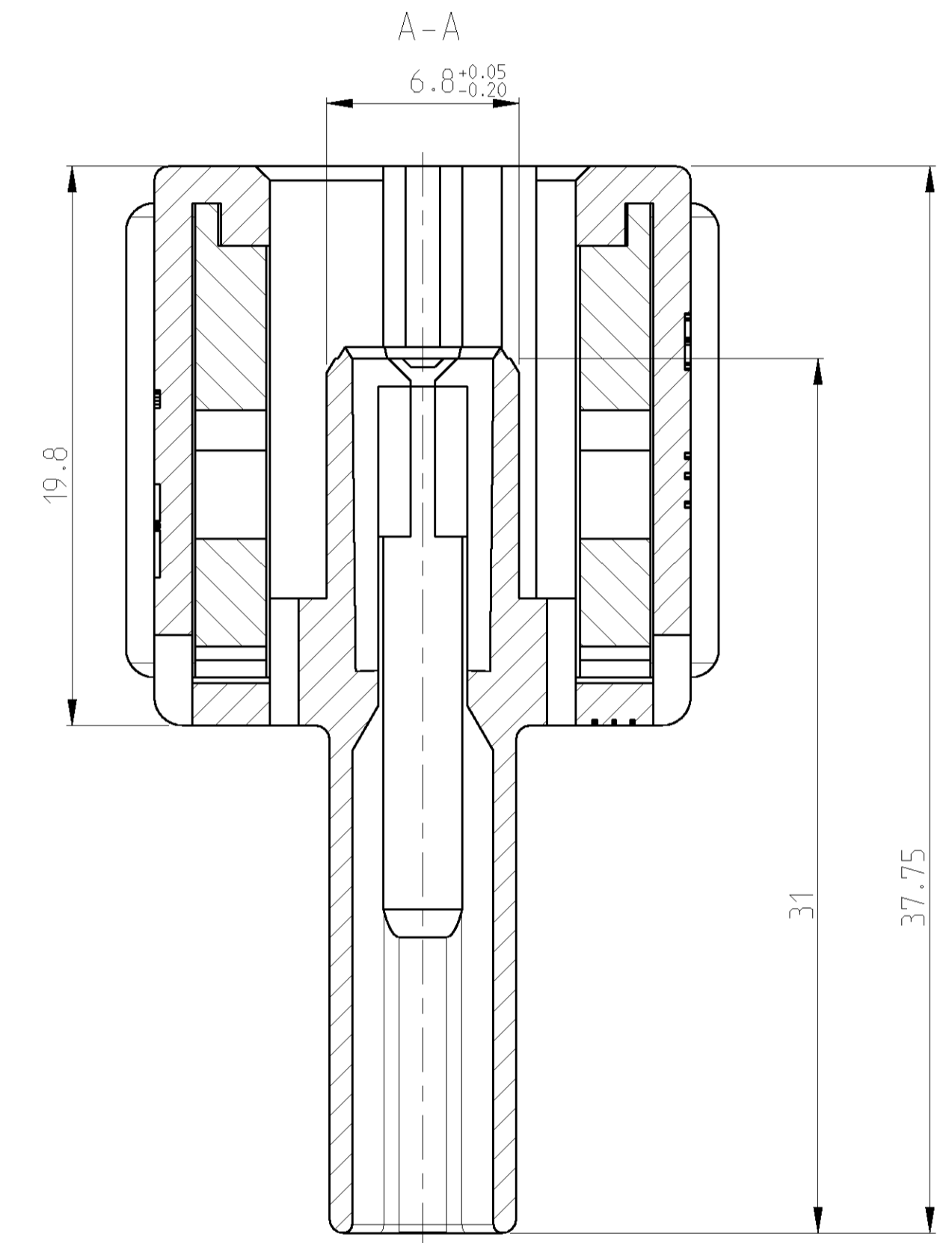
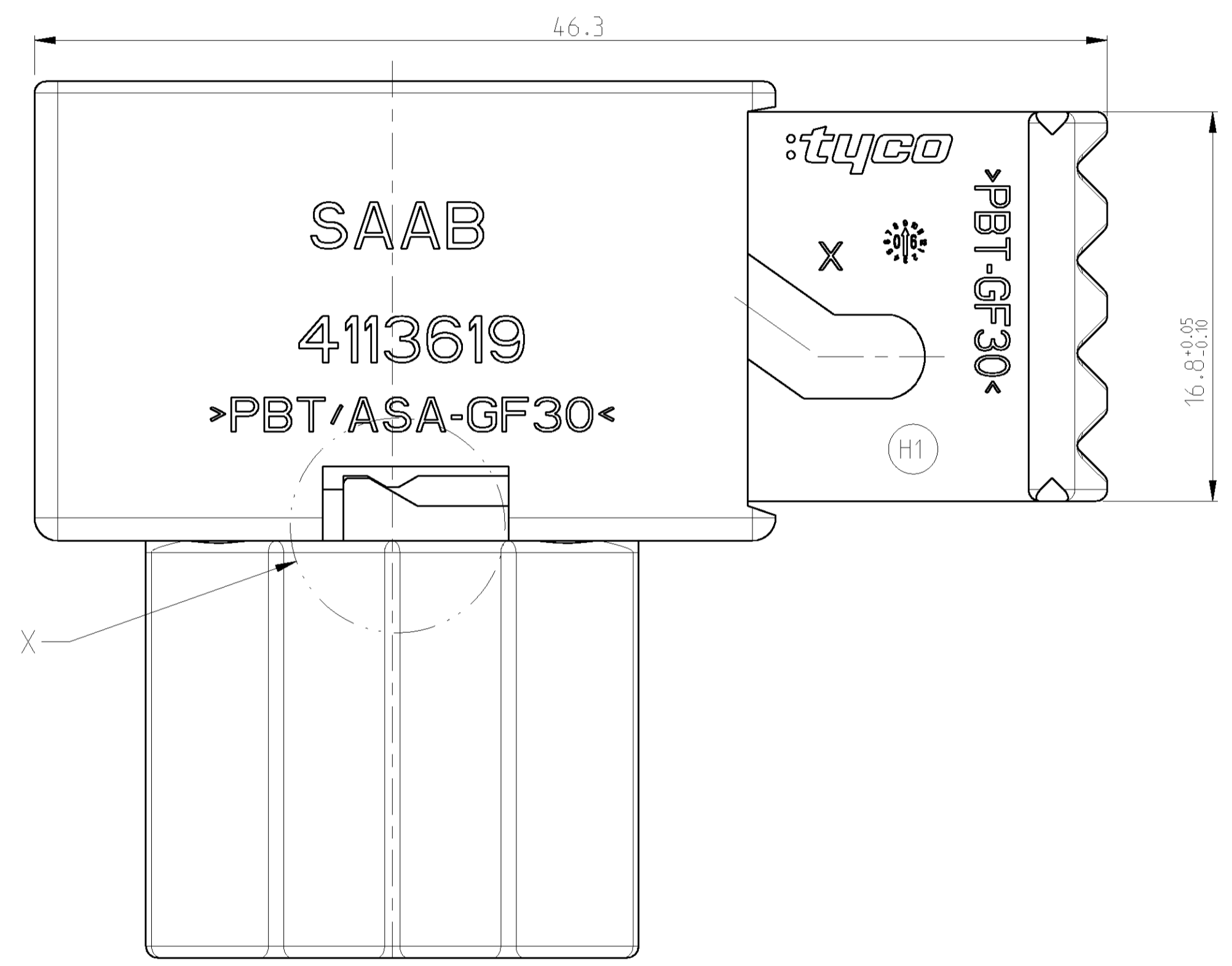
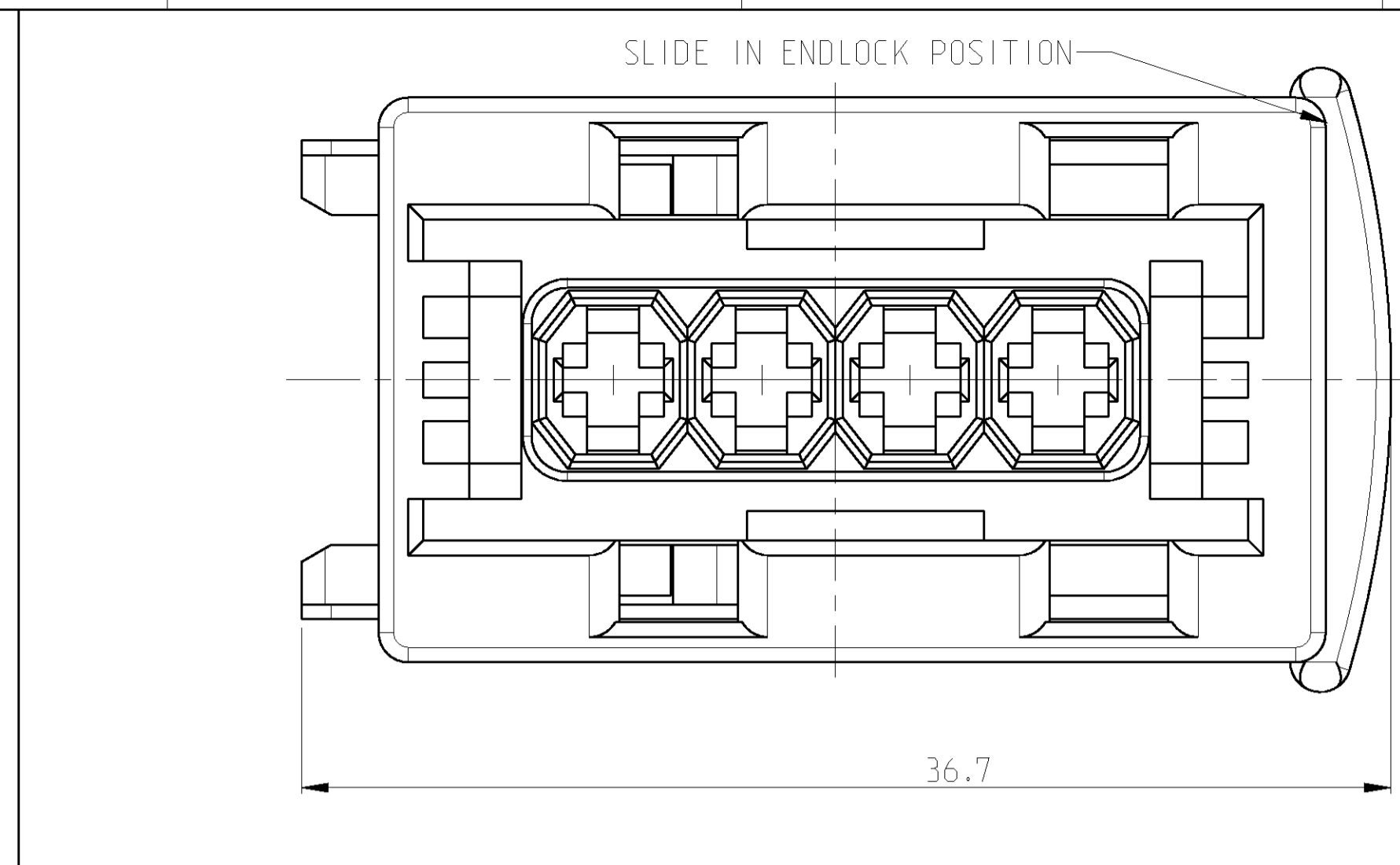
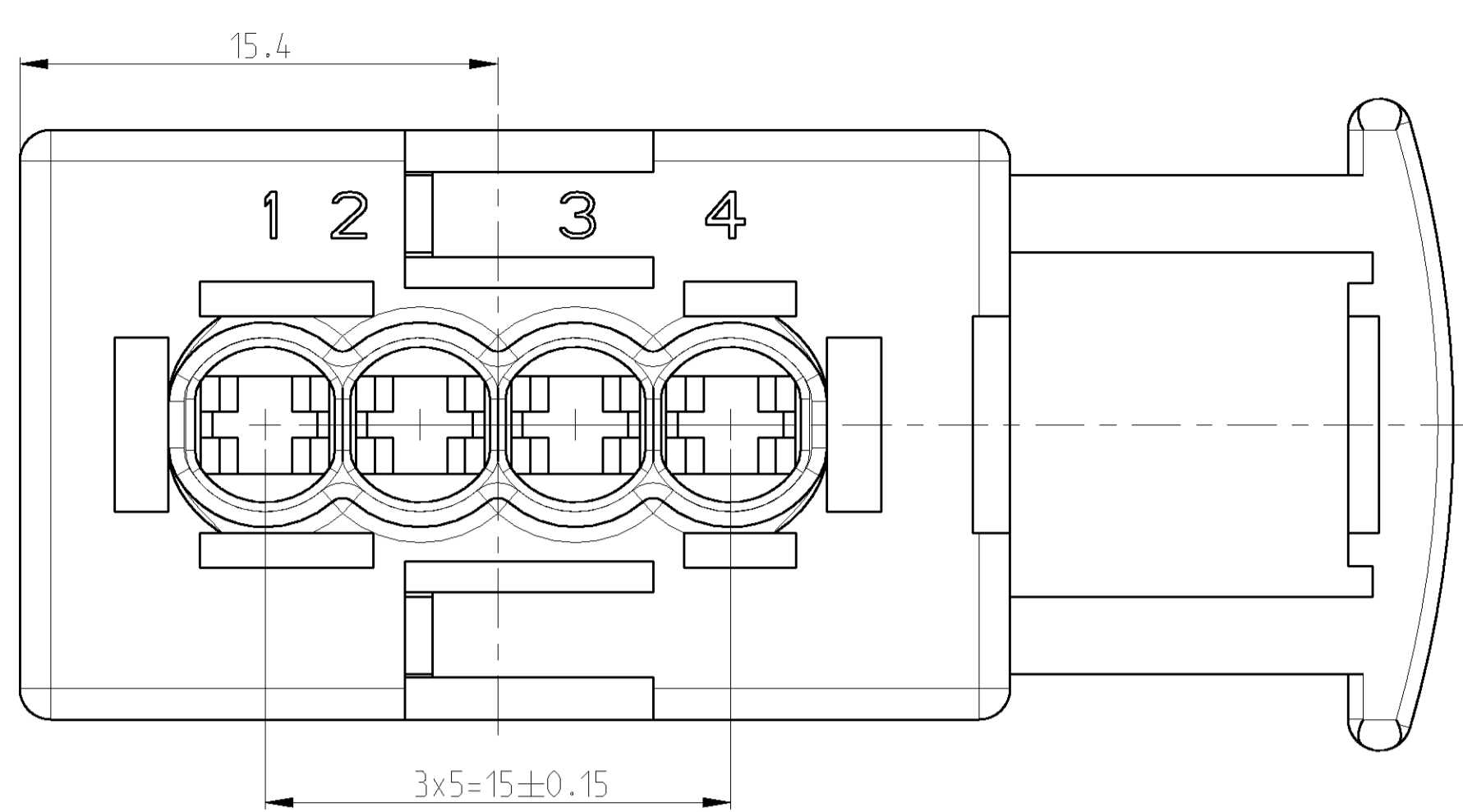
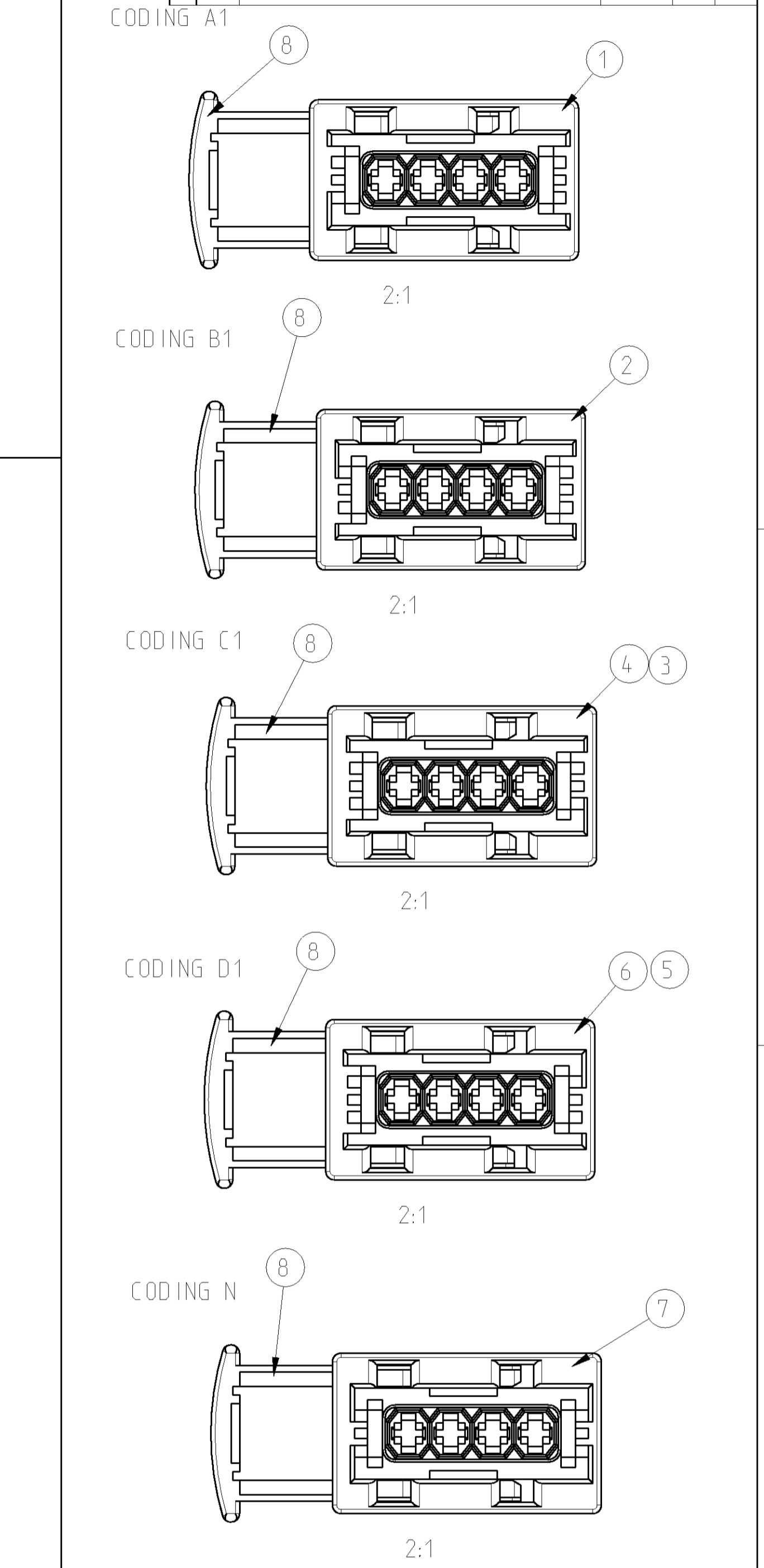
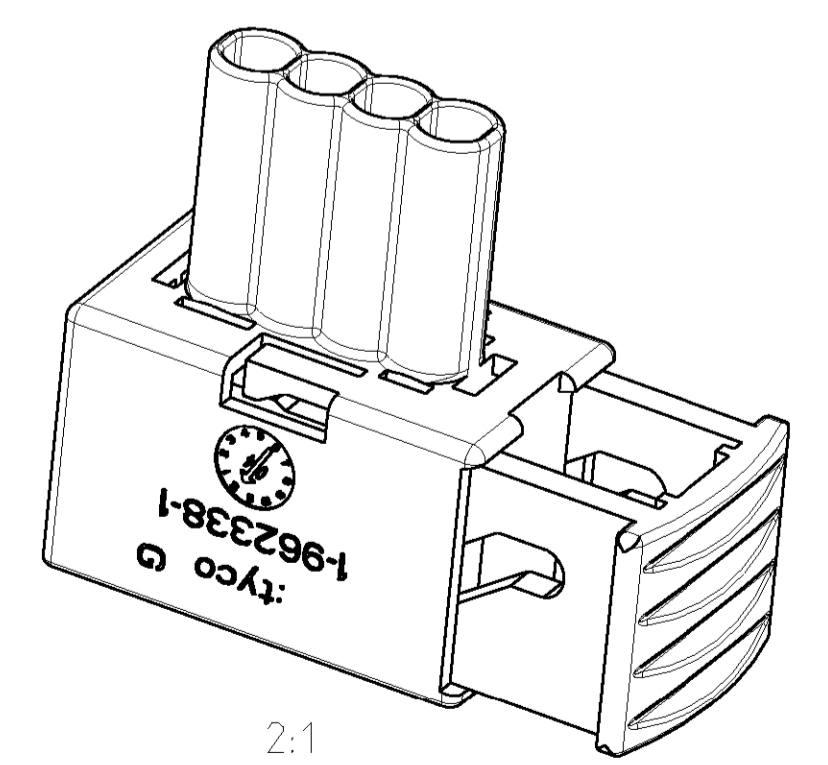
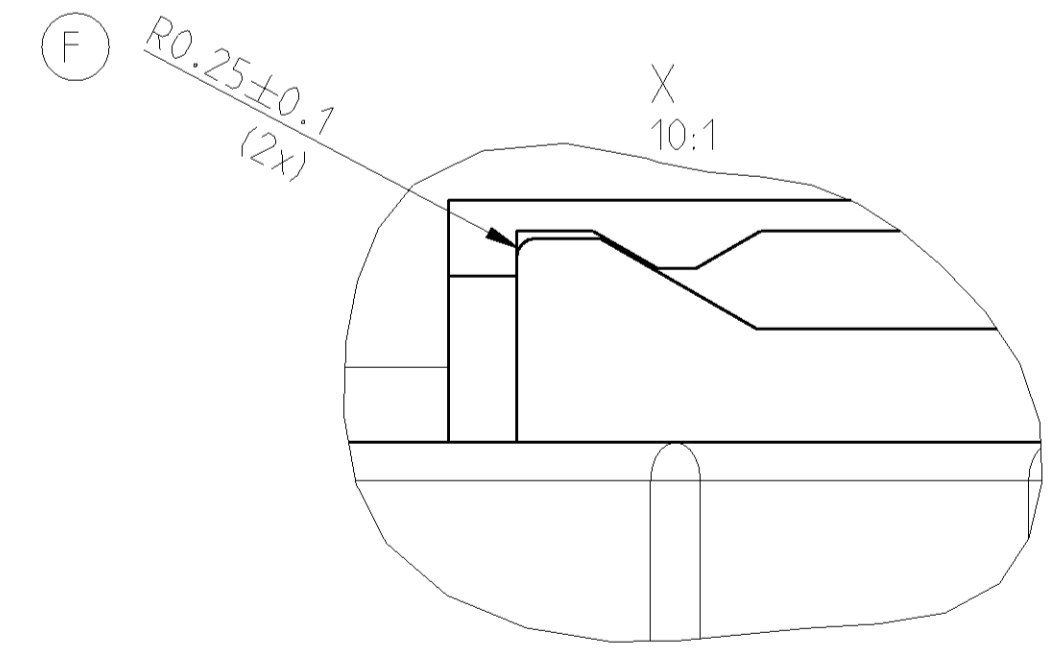


LOC	DIST	REV	DATE	BY	APPV
A1	-	H	25MAY2004	M.D.	T.K.
		H1	23AUG06	C.A.	T.K.



DELIVERY POSITION (G)  
 CAUSED BY TRANSPORT  
 THE POSITION OF THE SLIDE  
 COULD CHANGE TO INTERMEDIATE  
 OR CLOSED POSITION

CUSTOMER PART NO.	AMP PART NO.	REV.	PCS	MATERIAL	COLOR	DESCRIPTION	ITEM NO.
4113601	5-963207-1	H	1	PBT-GF30	RED	SLIDE	8
				PBT+ASA-GF30	WHITE	JPT HSG., 4POS.	7
4113643	4-963207-2	H	1	PBT-GF30	RED	SLIDE	8
				PBT+ASA-GF30	GREEN	JPT HSG., 4POS.	6
4113643	4-963207-1	H	1	PBT-GF30	RED	SLIDE	8
				PBT+ASA-GF30	BROWN	JPT HSG., 4POS.	5
4113635	3-963207-2	H	1	PBT-GF30	RED	SLIDE	8
				PBT+ASA-GF30	GREEN	JPT HSG., 4POS.	4
4113635	3-963207-1	H	1	PBT-GF30	RED	SLIDE	8
				PBT+ASA-GF30	BLUE	JPT HSG., 4POS.	3
4113627	2-963207-1	H	1	PBT-GF30	RED	SLIDE	8
				PBT+ASA-GF30	GREY	JPT HSG., 4POS.	2
4113619	1-963207-1	H	1	PBT-GF30	RED	SLIDE	8
				PBT+ASA-GF30	BLACK	JPT HSG., 4POS.	1



DIMENSIONS:	TOLERANCES UNLESS OTHERWISE SPECIFIED:	APVD	NAME	tyco	tyco Electronics AMP GmbH
mm	0 PLC ±0.3 1 PLC ±0.3 2 PLC ±0.3 3 PLC ±0.3 4 PLC ±0.3 ANGLES ±	M. Dauber T. Killian	24MAY2004 25MAY2004	Electronics	D - 64625 Bensheim
MATERIAL:	FINISH:	PRODUCT SPEC	108-18102	JUNIOR POWER TIMER HOUSING, 4 POS.	
		APPLICATION SPEC	114-18175-1	SIZE	CAGE CODE
		WEIGHT		00779	DRAWING NO.
		CUSTOMER DRAWING		00779	©=963207
		SCALE	5:1	SHEET	1 OF 1
		REV.	H1		