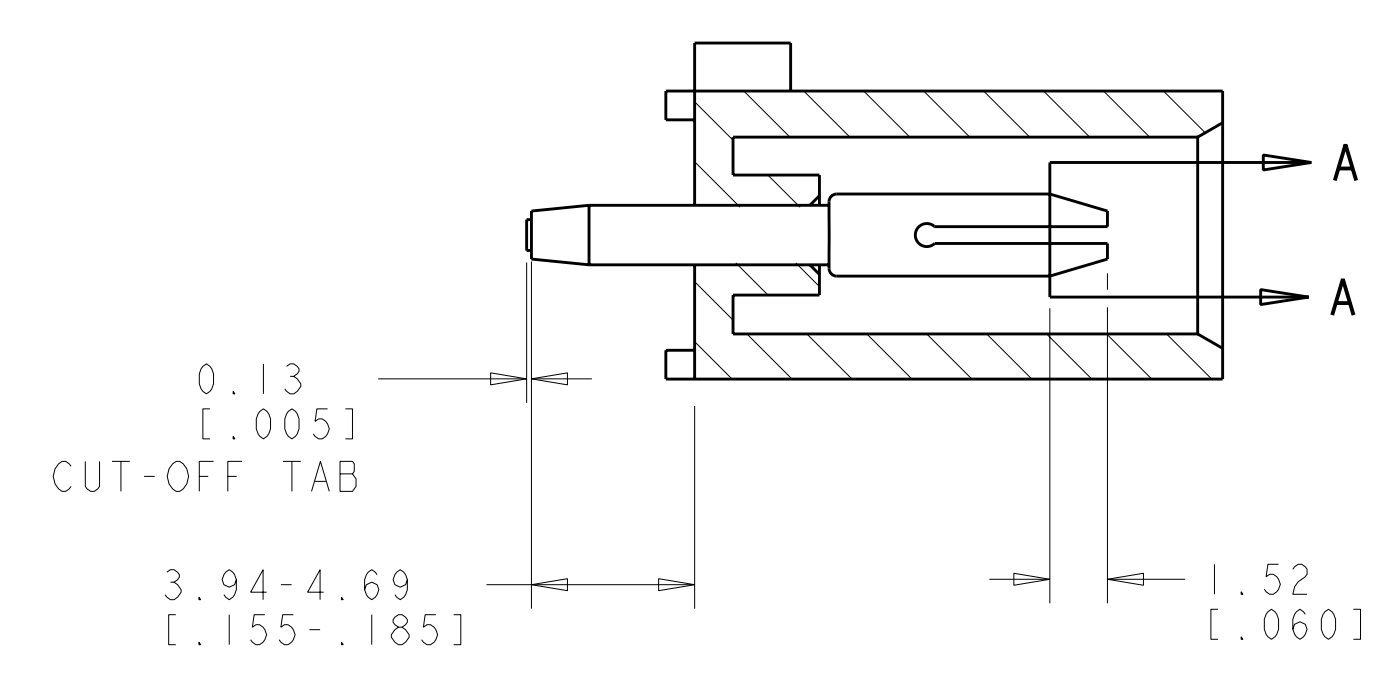
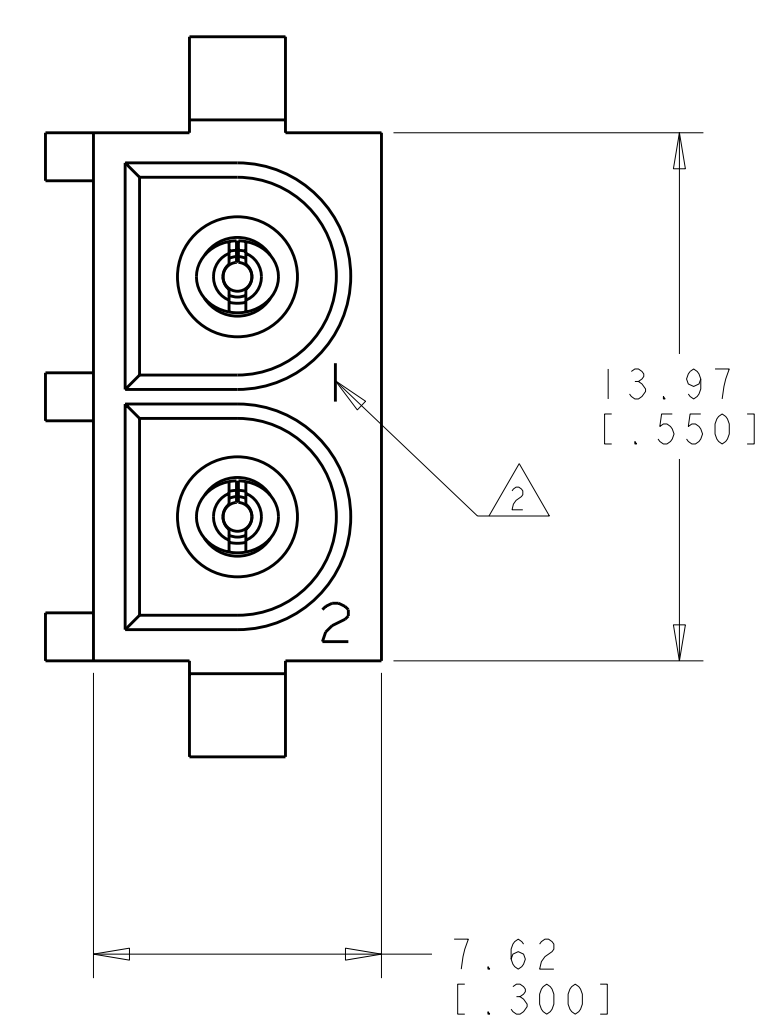
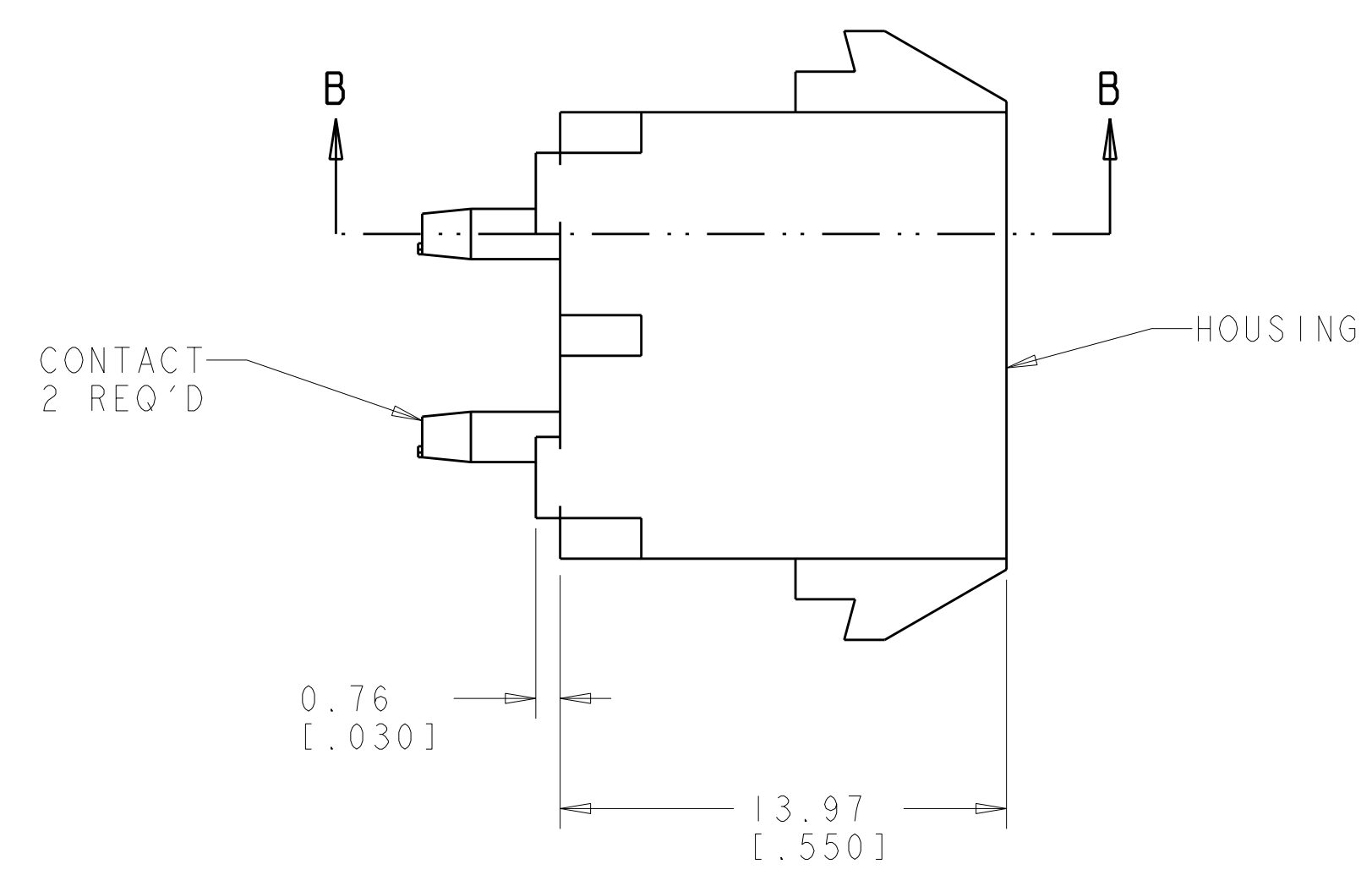
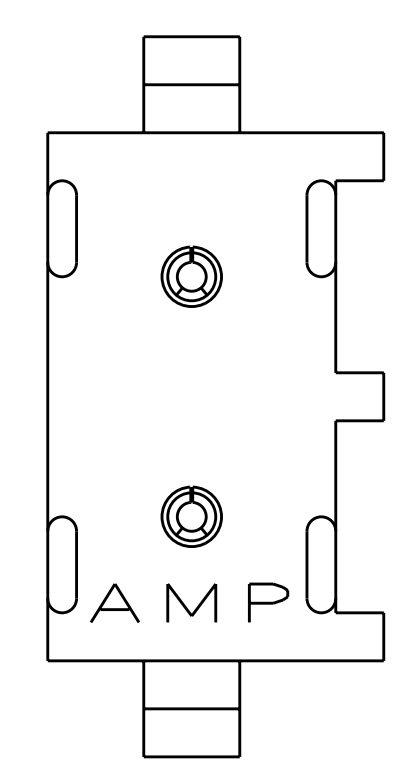
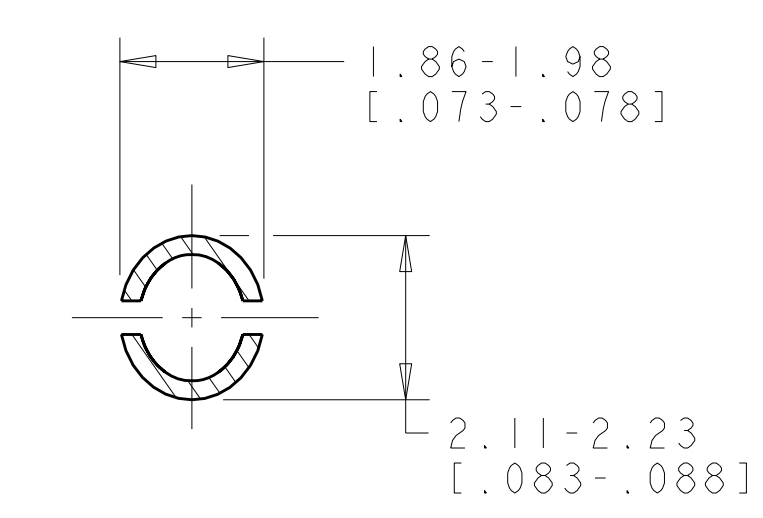


LOC	DIST	REV	DATE	BY	CHK	APP'D
CM	00	0	27-JUN-03	KW	SR	
		01	26-JUL-2007	KW	DC	

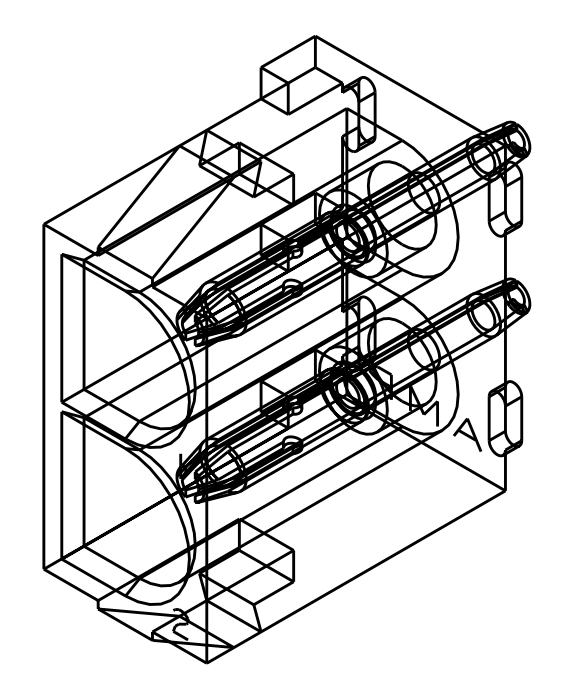
- PARTS COMPLY TO AMP SOLDERABILITY SPECIFICATION 109-11-3.
- CIRCUIT IDENTIFICATION CHARACTERS ARE ADJACENT TO THE INDICATED CAVITIES, BUT LOCATION AND ORIENTATION MAY DIFFER FROM PRINT.
- DIMENSIONS IN BRACKETS ARE IN INCHES.



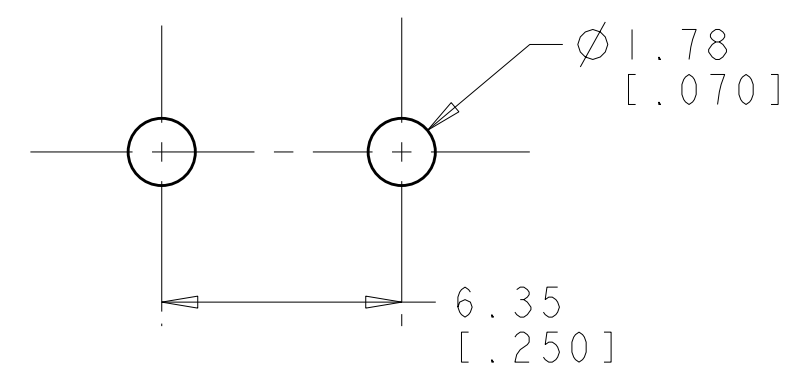
SECTION B-B



SECTION A-A
SCALE 10:1



3 DIMENSIONAL VIEW
SCALE 4:1



RECOMMENDED MOUNTING HOLE PATTERN
FOR 1.57 [.062] THICK P.C. BOARD

PHOSPOR BRONZE, PRE-TIN PIN CONTACT MATERIAL AND FINISH	NYLON, UL94V-2, NATURAL HOUSING MATERIAL AND COLOR	1586076-1 PART NUMBER
DIMENSIONS: mm [INCHES] TOLERANCES UNLESS OTHERWISE SPECIFIED: 9 PLC ± 1 PLC ± 2 PLC ±0.13(.005) 3 PLC ± 4 PLC ± ANGLES ±40°30'		DWN R. WHITAKER 27-JUN-2003 CHK S. RIDGILL 27-JUN-2003 APVD S. RIDGILL 27-JUN-2003 PRODUCT SPEC APPLICATION SPEC WEIGHT CUSTOMER DRAWING
MATERIAL SEE TABLE FINISH SEE TABLE		Tyco Electronics Harrisburg, PA 17105-3608 NAME: PIN HEADER ASSEMBLY, 2 CIRCUIT, UNIVERSAL MATE-N-LOK(TM) SIZE: CAGE CODE: DRAWING NO: 00779 ©=1586076 SCALE: 5:1 SHEET 1 OF 1 REV 01

