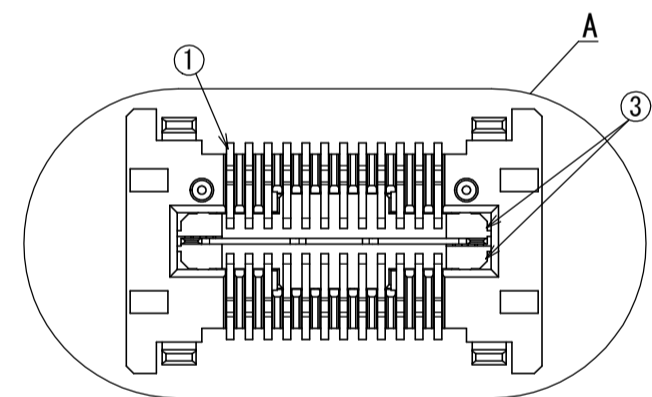
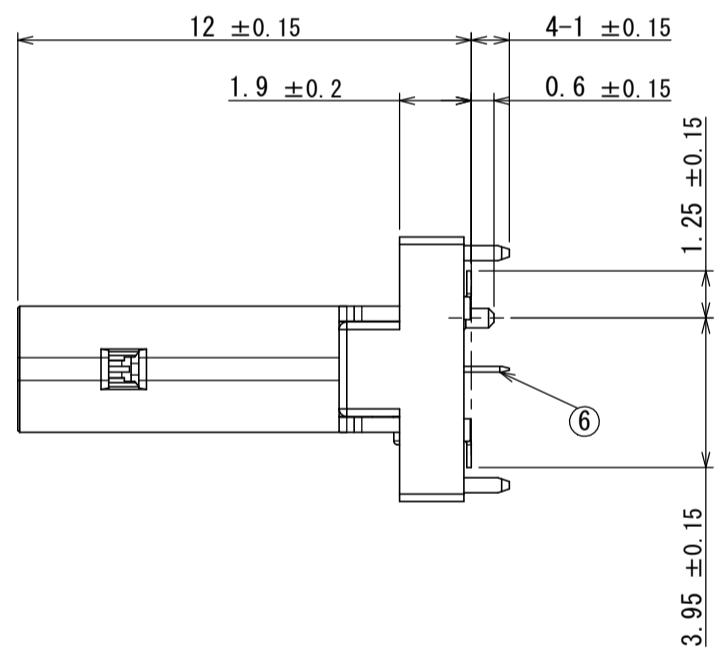
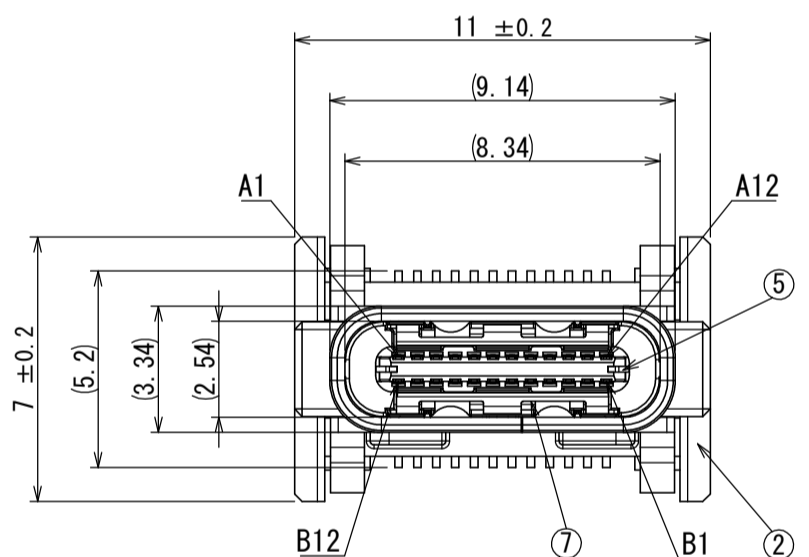


APPLICABLE P.C.B DIMENSION (REF.)
適合基板寸法 (参考)

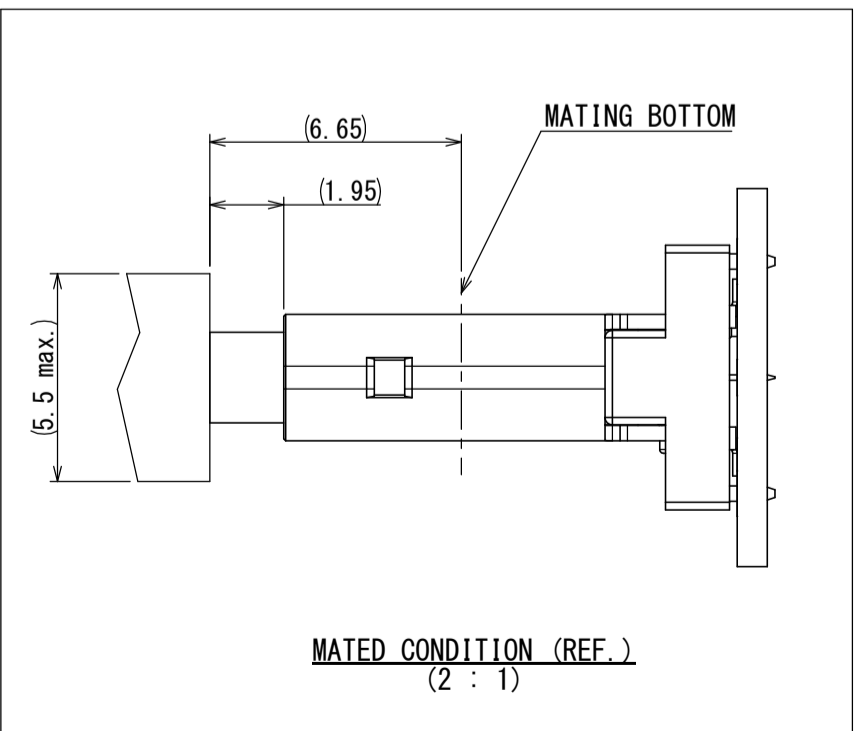
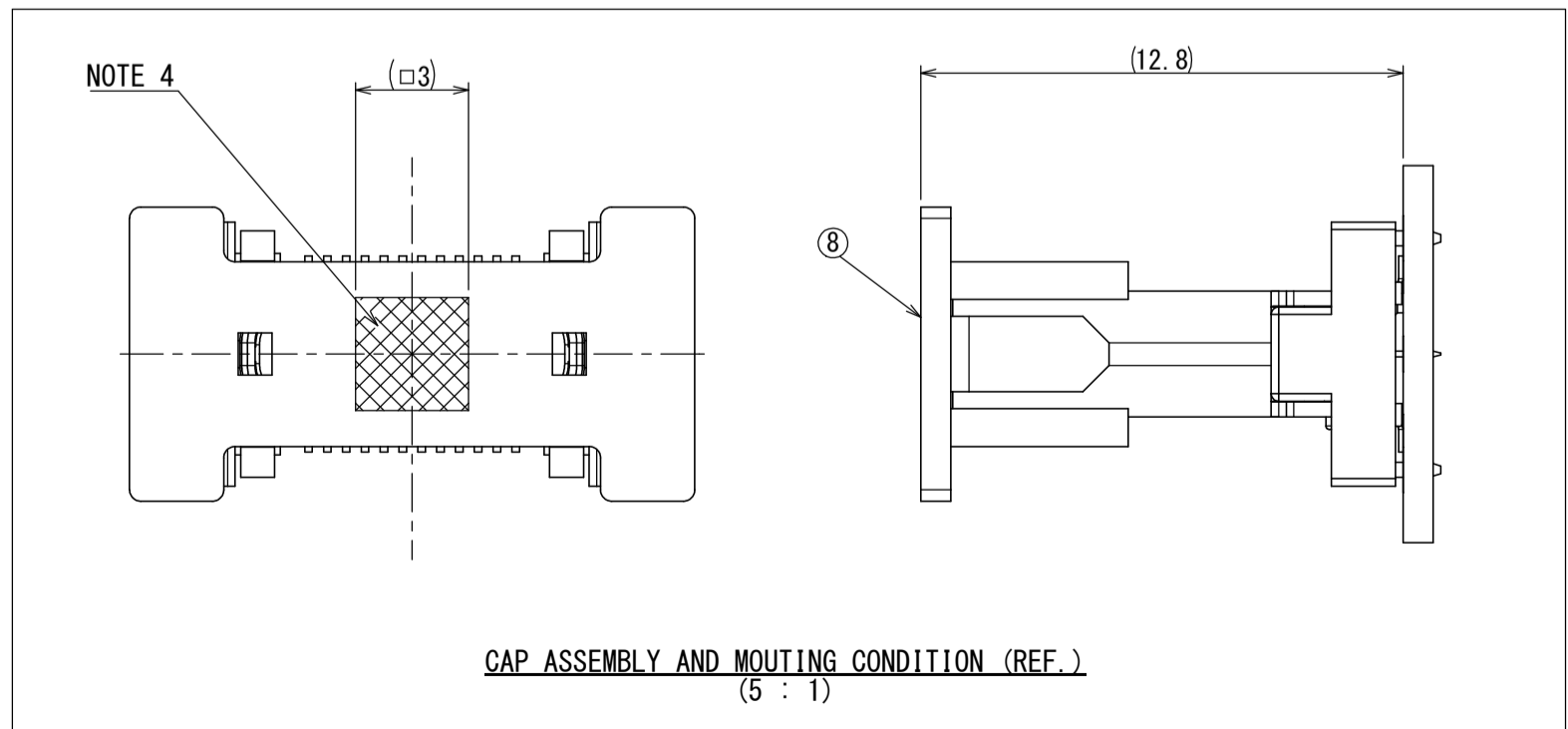


- NOTE 1. COPLANARITY OF SMT TERMINAL SHALL BE 0.1 MAXIMUM.
NOTE 2. MATING DIMENSIONS CONSIST OF "Universal Serial Bus Type-C Cable and Connector Specification Revision 1.1"
NOTE 3. THE SHELL LENGTH IS LESS THAN THE MINIMUM SPECIFIED BY THE USB TYPE C STANDARD. AS SUCH IT CANNOT INDEPENDENTLY BE GUARANTEED TO MEET ALL TYPE C MECHANICAL REQUIREMENTS. REFERENCE THE USB TYPE C SPECIFICATION RELEASE 1.1, SECTION 3.2.1, NOTE 7.
NOTE 4. VACUUM AREA.
NOTE 5. LOT NO. IS MARKED AS SHOWN IN BELOW FIGURE MARKING.
(EX.) 5 Y 0 3
-5 : MANUFACTURE YEAR. (LAST 1 DIGIT OF A.D.)
-Y : MANUFACTURE MONTH. (JAN. TO SEP. : 1 TO 9, OCT. : 0, NOV. : X, DEC. : Y)
-03 : MANUFACTURE DAY. (1 TO 31)

TABLE1. PIN ASSIGNMENT (FRONT VIEW)

| Pin No. | A1 | A2 | A3 | A4 | A5 | A6 | A7 | A8 | A9 | A10 | A11 | A12 |
|---------|-----|------|------|------------------|------|----|----|------|------------------|------|------|-----|
| | GND | TX1+ | TX1- | V _{BUS} | CC1 | D+ | D- | SBU1 | V _{BUS} | RX2- | RX2+ | GND |
| Pin No. | B12 | B11 | B10 | B9 | B8 | B7 | B6 | B5 | B4 | B3 | B2 | B1 |
| | GND | RX1+ | RX1- | V _{BUS} | SBU2 | D- | D+ | CC2 | V _{BUS} | TX2- | TX2+ | GND |

| | | | | |
|---|-------------|----|---------------------|---|
| 8 | CAP | 1 | THERMOPLASTIC RESIN | COLOR:BLACK |
| 7 | GND PLATE | 2 | STAINLESS STEEL | NICKEL PLATING |
| 6 | MID PLATE 2 | 1 | STAINLESS STEEL | NICKEL PLATING |
| 5 | MID PLATE 1 | 1 | STAINLESS STEEL | NICKEL PLATING |
| 4 | SHELL | 1 | STAINLESS STEEL | NICKEL PLATING |
| 3 | INSULATOR 2 | 2 | THERMOPLASTIC RESIN | COLOR:BLACK |
| 2 | INSULATOR 1 | 1 | THERMOPLASTIC RESIN | COLOR:BLACK |
| 1 | CONTACT | 24 | COPPER ALLOY | CONTACT AREA NICKEL: 2 μm MIN. PALLADIUM-NICKEL: 0.75 μm MIN. GOLD FLASH: 0.05 μm MIN. SOLDER TAILS: NICKEL: 2 μm MIN. GOLD FLASH: 0.03 μm MIN. |



CAP ASSEMBLY AND MOUNTING CONDITION (REF.)
(5 : 1)

MATED CONDITION (REF.)
(2 : 1)

| | | | | |
|-----------------------------------|-----------------------------------|---|----------------------|--------------|
| 仕様書(SPECIFICATION) JACS-30368※ | 第1版(ORIGINAL DATE) 20/JAN/2016 | 尺度(SCALE) 5:1 | シリーズ(SERIES) DX07 | 日本航空電子工業株式会社 |
| 一般公差(GENERAL TOLERANCE) | 製図 DR. | 名称(TITLE) DX07S024WJ1 | References | |
| 寸法(DIMENSION) | 担当 CHK. | JAE | | |
| 角度(ANGLES) | 査閲 APPD. | JAPAN AVIATION ELECTRONICS INDUSTRY, LTD. | | |
| × ± 0.4 | 承認 APPD. | 図面番号(DRAWING NO.) | | |
| ×× ± 0.1 | 承認 APPD. | SJ117219 | | |
| ××× ± | 単位(UNIT) : mm | 版数(VER.) | | |
| | | 1 | | |

