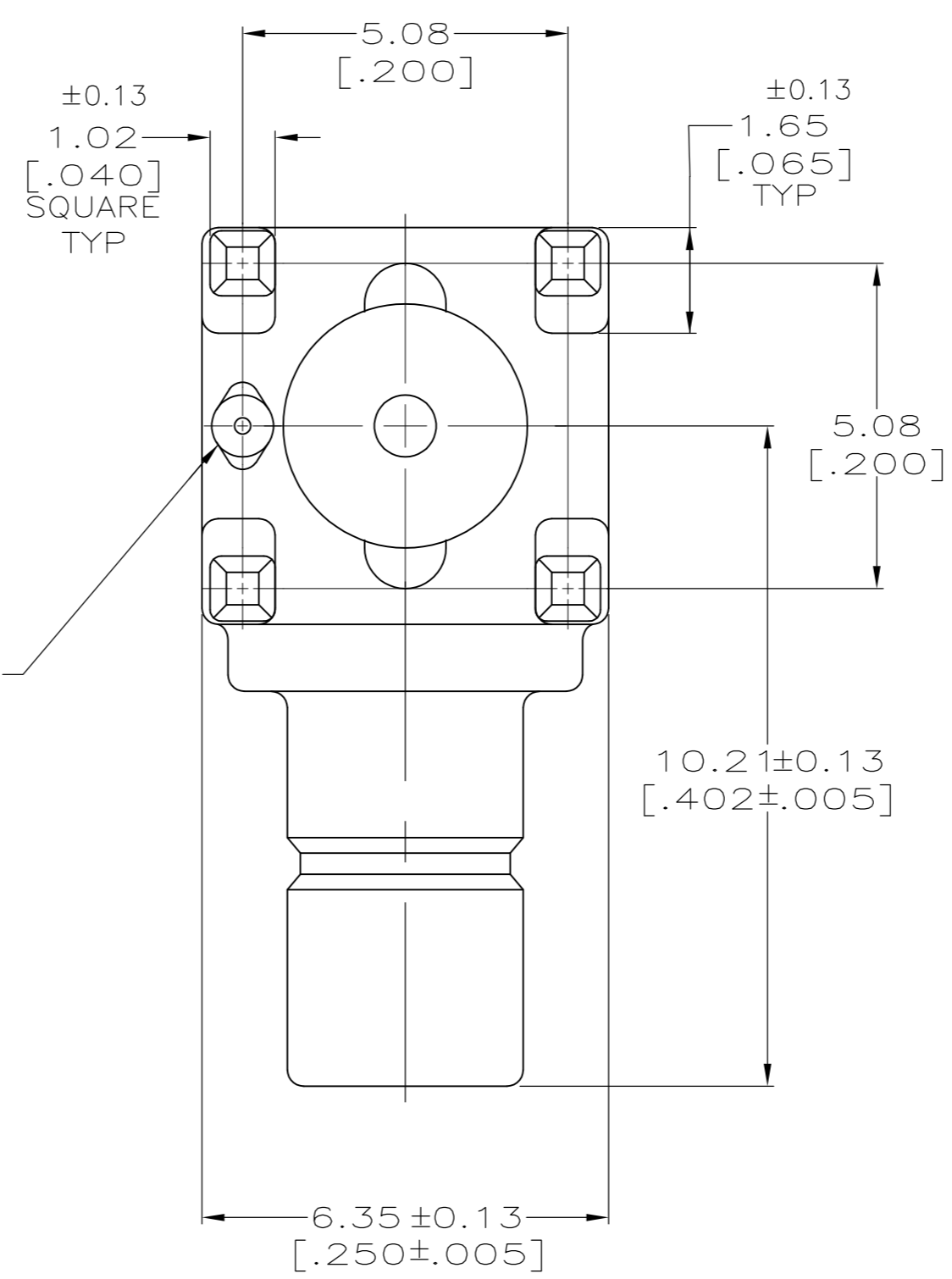
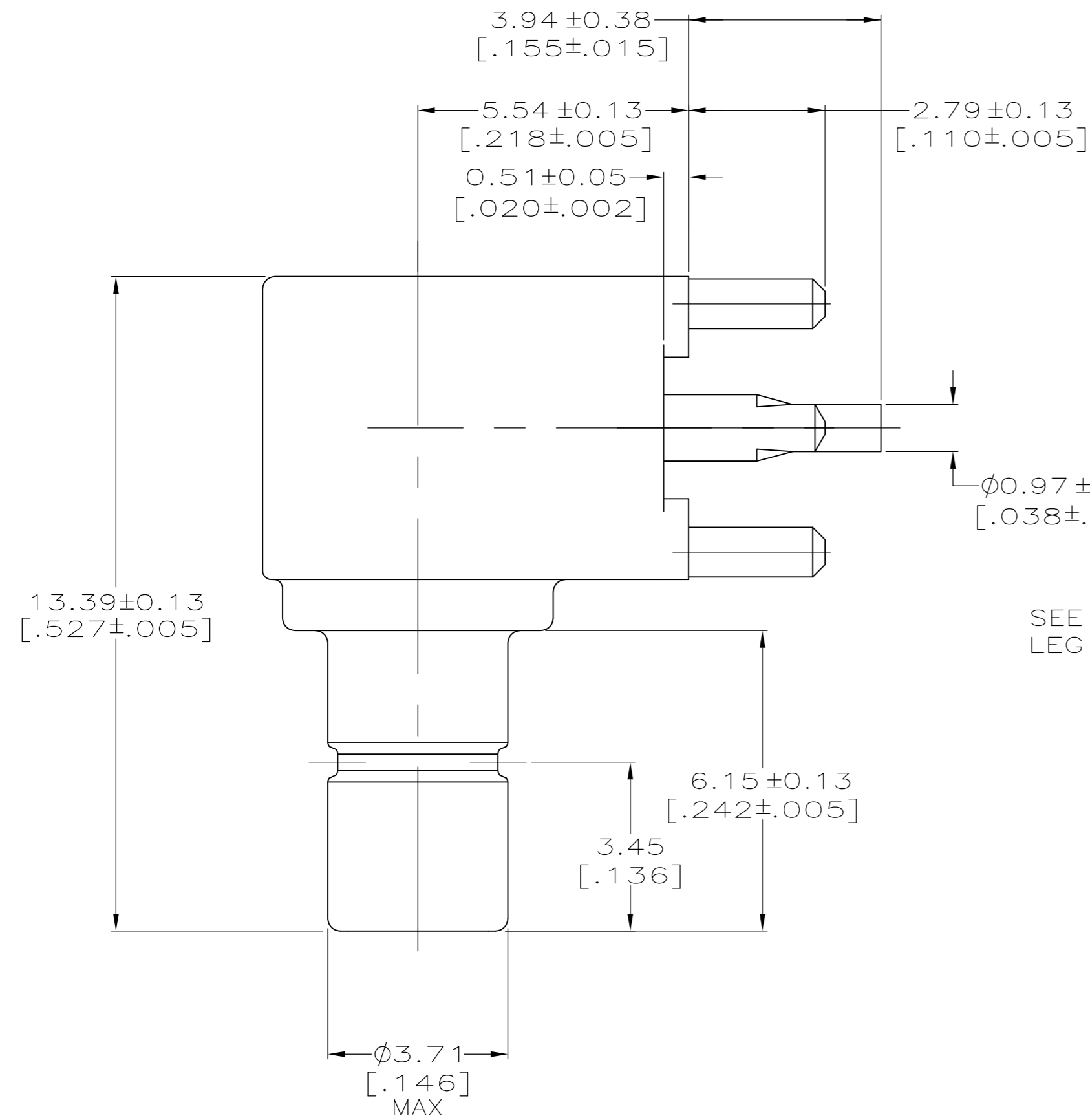


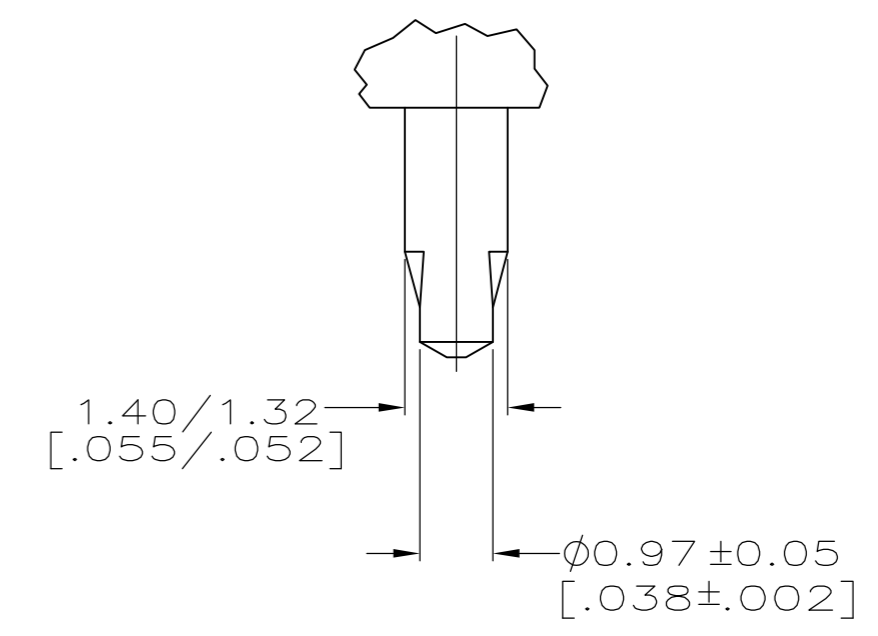
THIS DRAWING IS UNPUBLISHED. RELEASED FOR PUBLICATION
 © COPYRIGHT - By - ALL RIGHTS RESERVED.

LOC	DIST	REVISIONS					
		P	LTR	DESCRIPTION	DATE	DWN	APVD
AJ	16	A1		ECR-12-005726	27MAR12	RK	MY

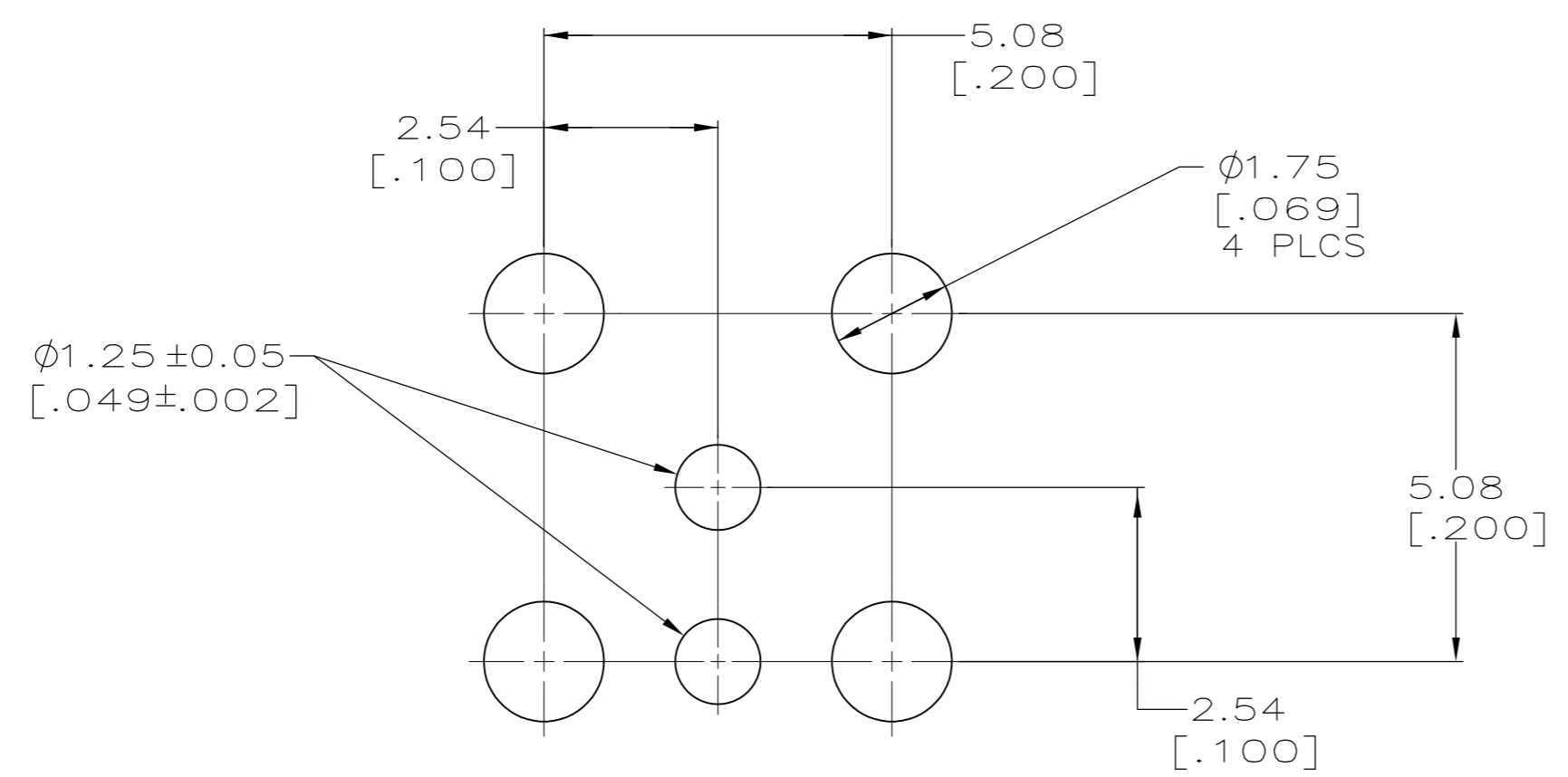


- ⚠ MATERIALS:
 JACK SHELL: ZINC ALLOY
 CENTER CONTACT: BRASS PER QQ-B-626
 DIELECTRICS: PTFE PER ASTM-D-1710
- ⚠ FINISHES:
 JACK SHELL: NICKEL PER QQ-N-290
 CENTER CONTACT: GOLD PER MIL-G-45204
- 3. INTERFACE PER MIL-C-39012

SEE KEYING LEG DETAIL



KEYING LEG DETAIL



RECOMMENDED PCB CONFIGURATION

5415379-1
 PART NUMBER

THIS DRAWING IS A CONTROLLED DOCUMENT.		DWN	J. HAVENER	31MAR2005		TE Connectivity		
DIMENSIONS: mm [INCHES]		CHK	J. HAVENER	31MAR2005		NAME		
TOLERANCES UNLESS OTHERWISE SPECIFIED:		APVD	J. HAVENER	31MAR2005		JACK WITH KEYING LEG, RIGHT ANGLE, PCB, SMB		
0 PLC ± - 1 PLC ± 0.3 [.01] 2 PLC ± 0.08 [.003] 3 PLC ± - 4 PLC ± - ANGLES ± -		PRODUCT SPEC	APPLICATION SPEC			SIZE	A2	
MATERIAL	⚠	FINISH	⚠	WEIGHT	-	CAGE CODE	00779	
CUSTOMER DRAWING				SCALE	10:1	DRAWING NO	C=5415379	
						SHEET	1 of 1	
						REV	A1	