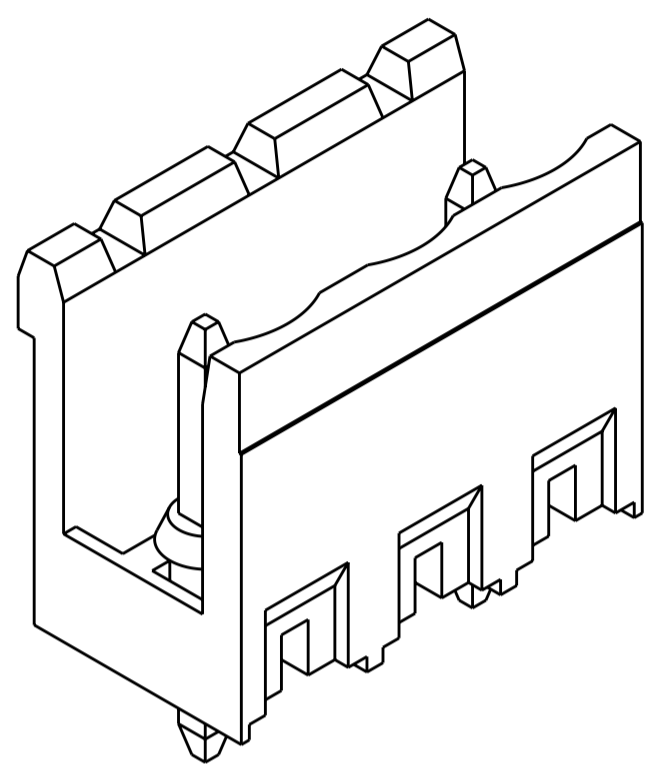
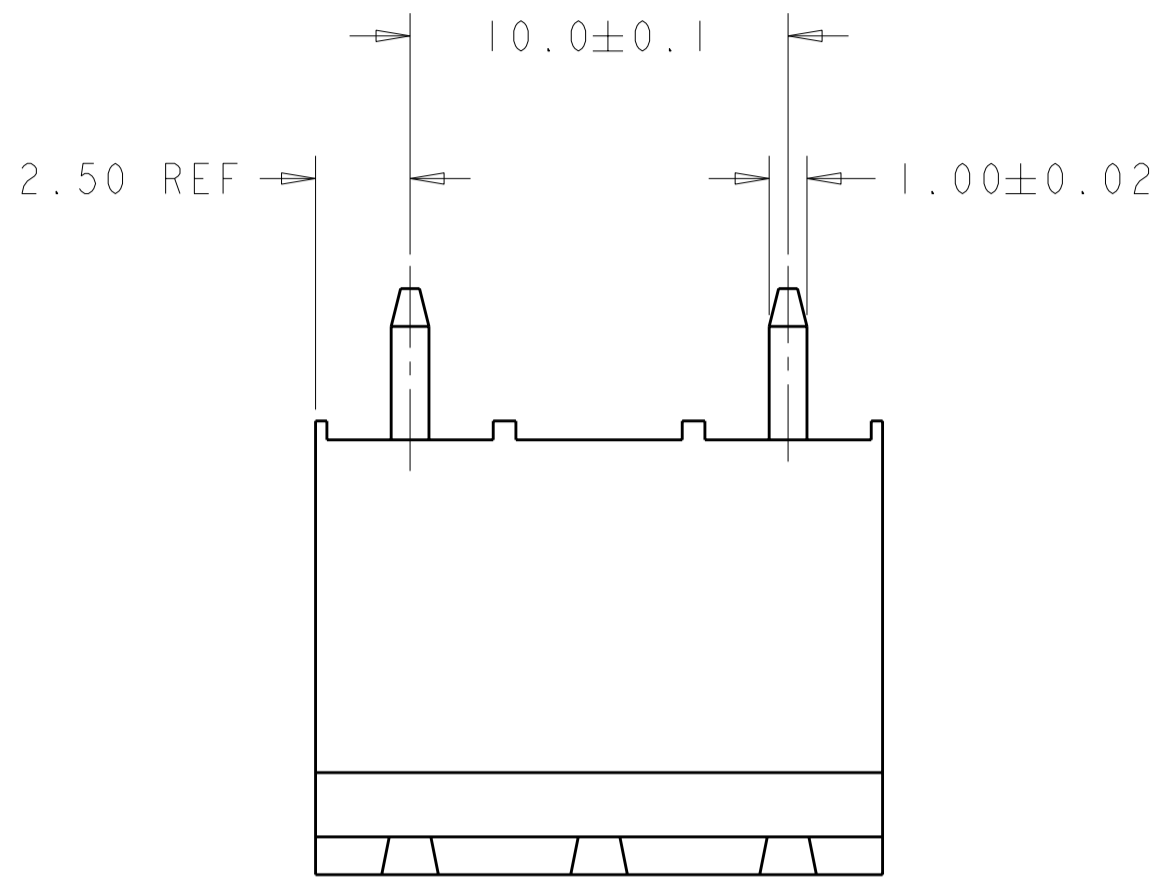


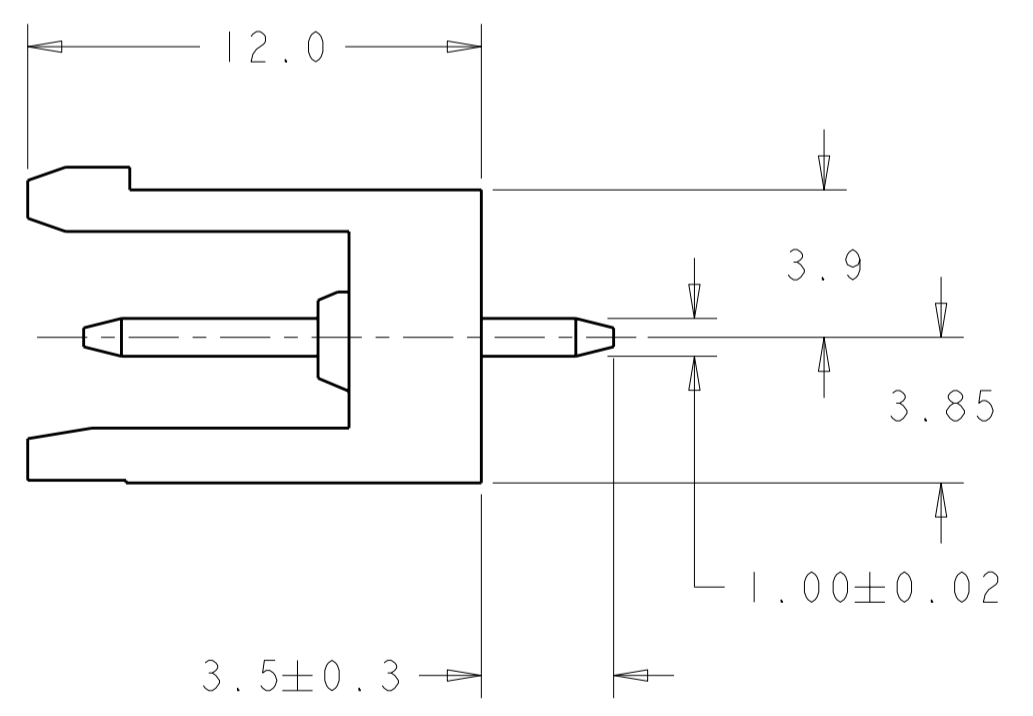
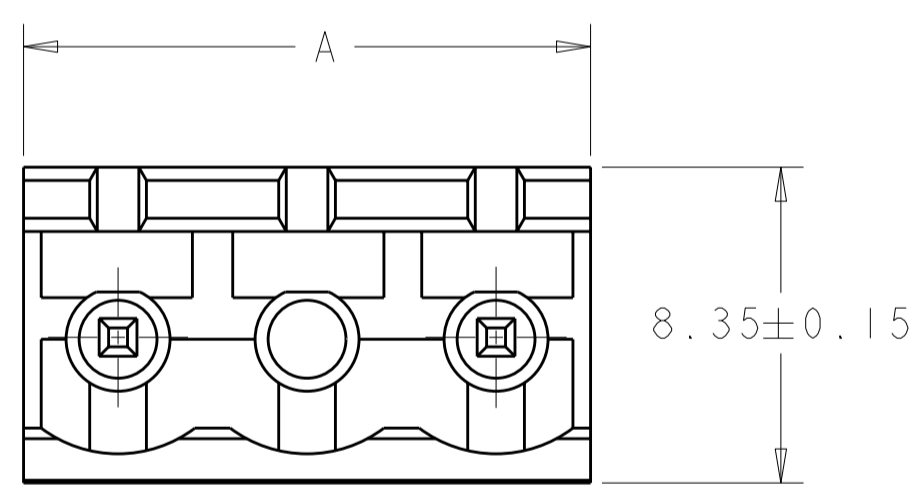
THIS DRAWING IS UNPUBLISHED. RELEASED FOR PUBLICATION 20  
 © COPYRIGHT 20 Tyco Electronics AMP GmbH ALL RIGHTS RESERVED.

LOC		DIST		REVISIONS			
P	LTR	DESCRIPTION	DATE	DWN	APVD		
	01	REVISED PER ECO-12-007711	26APR2012	KH	MS		

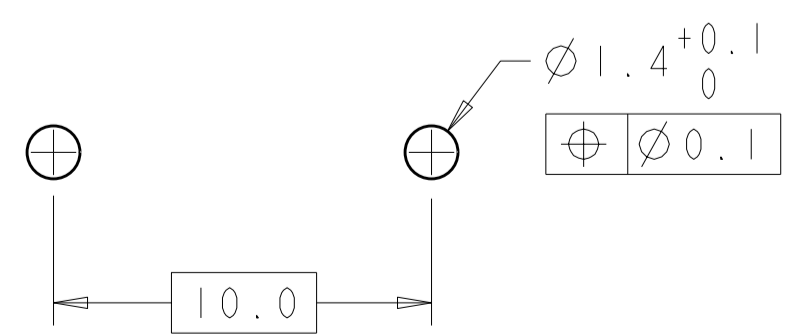


- △ MATERIALS AND FINISH  
 HOUSING: HIGH TEMPERATURE POLYAMIDE, UL 94V-0 RATED,  
 COLOR: BLACK.  
 TERMINAL: COPPER ALLOY, TIN PLATED.
- SUITABLE FOR 1,6-2,4mm PC BOARD THICKNESS.
  - RECOGNIZED UNDER THE COMPONENT PROGRAM OF UNDERWRITERS LABORATORIES INC. FILE N° E60677.
  - IMQ CERTIFICATE WITH SURVEILLANCE IN CONFORMITY WITH IEC 998-1/998-2-1.

1776156-2 AS SHOWN



35.0	4	1776156-4
25.0	3	1776156-3
15.0	2	1776156-2
A	NO OF POSN	PART NUMBER



RECOMMENDED PC BOARD LAYOUT

THIS DRAWING IS A CONTROLLED DOCUMENT.		DWN S.WELDON 11JUL2005	<b>STE</b> TE Connectivity	
DIMENSIONS: mm		CHK C.RICHARD 11JUL2005		
TOLERANCES UNLESS OTHERWISE SPECIFIED:		APVD C.RICHARD 11JUL2005	NAME: TERMINAL BLOCK HEADER ASSEMBLY, 180 DEGREE, OPEN ENDS, 10.00mm PITCH	
0 PLC ±-	1 PLC ±.3	PRODUCT SPEC 108-20166	SIZE A2	CAGE CODE C-1776156
2 PLC ±.25	3 PLC ±-	APPLICATION SPEC 114-20079	SCALE 5:1	SHEET 1 OF 1
4 PLC ±-	ANGLES ±2	WEIGHT -	RESTRICTED TO -	
MATERIAL △ -		CUSTOMER DRAWING		REV 01