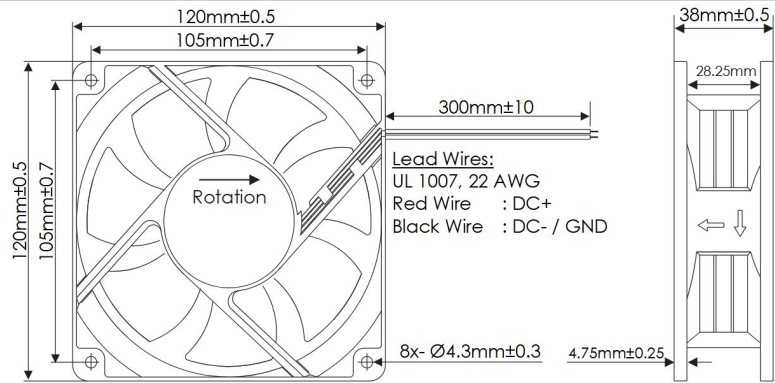


# OD1238 Series



DC Fans - 12, 24, 48V  
120mm x 38mm (4.7" x 1.5")



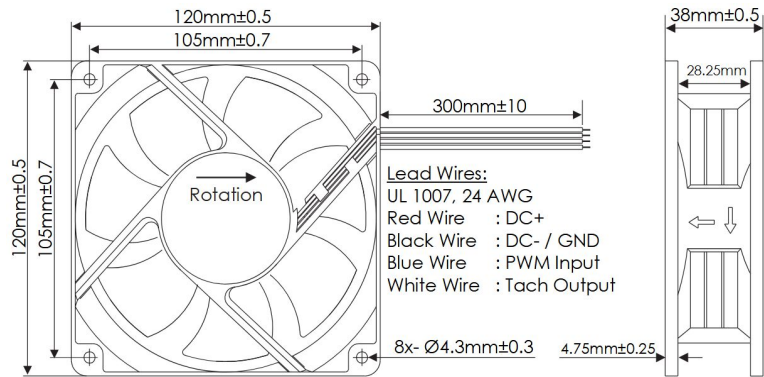
|                       |   |   |  |
|-----------------------|---|---|--|
| Frame                 | PBT, UL94 V-0 Plastic   | <b>Operating Temperature</b><br>-20°C ~ +65°C<br><br><b>Storage Temperature</b><br>-25°C ~ +70°C<br><br><b>Life Expectancy</b><br>65,000 Hours (L10 at 45°C)<br><br><b>Available Options</b><br>Tachometer Output<br>Alarm Output<br>PWM Speed Control Input<br>Temperature Speed Control<br>IP Ratings<br><br>Weight: 0.57 lbs |  |
| Impeller              | PBT, UL94 V-0 Plastic   |   |  |
| Connection            | 2x Lead Wires, 22 AWG   |   |  |
| Motor                 | Brushless DC, Auto Cutoff, Auto Restart, Polarity Protected, Electronically Protected |   |  |
| Bearing System        | Ball Bearings   |   |  |
| Dielectric Strength   | 500VDC/min, <1mA  |   |  |
| Insulation Resistance | ≥10MΩ @ 500 VDC   |   |  |

| Part Number  | Rated Voltage (Volts DC) | Voltage Range (Volts DC) | Input Power (Max Watts) | Rated Current (Max Amps) | Rated Speed (RPM) | Max Airflow (CFM) | Noise Level (dBA) | Max Static Pressure ("H2O) |
|--------------|--------------------------|--------------------------|-------------------------|--------------------------|-------------------|-------------------|-------------------|----------------------------|
| OD1238-12H3B | 12                       | 9 ~ 13.8                 | 17.7                    | 1.43                     | 4190              | 178.0             | 54.0              | 0.977                      |
| OD1238-12HHB | 12                       | 9 ~ 13.8                 | 10.0                    | 0.90                     | 3195              | 135.8             | 48.2              | 0.558                      |
| OD1238-12HB  | 12                       | 9 ~ 13.8                 | 6.0                     | 0.50                     | 2895              | 124.1             | 44.1              | 0.469                      |
| OD1238-12MB  | 12                       | 9 ~ 13.8                 | 4.8                     | 0.40                     | 2597              | 114.7             | 41.3              | 0.427                      |
| OD1238-12LB  | 12                       | 9 ~ 13.8                 | 2.4                     | 0.20                     | 1975              | 89.5              | 35.6              | 0.316                      |
| OD1238-24H3B | 24                       | 16 ~ 26                  | 22.1                    | 0.90                     | 4190              | 178.0             | 54.0              | 0.98                       |
| OD1238-24HHB | 24                       | 16 ~ 26                  | 15.0                    | 0.62                     | 3195              | 135.8             | 48.2              | 0.558                      |
| OD1238-24HB  | 24                       | 16 ~ 26                  | 12.0                    | 0.50                     | 2895              | 124.1             | 44.1              | 0.469                      |
| OD1238-24MB  | 24                       | 16 ~ 26                  | 8.0                     | 0.34                     | 2597              | 114.7             | 41.3              | 0.427                      |
| OD1238-24LB  | 24                       | 16 ~ 26                  | 4.0                     | 0.15                     | 1975              | 89.5              | 35.6              | 0.316                      |
| OD1238-48H3B | 48                       | 30 ~ 52                  | 20.5                    | 0.41                     | 4190              | 178.0             | 54.0              | 0.98                       |
| OD1238-48HHB | 48                       | 30 ~ 52                  | 15.0                    | 0.30                     | 3195              | 135.8             | 48.2              | 0.558                      |
| OD1238-48HB  | 48                       | 30 ~ 52                  | 14.0                    | 0.29                     | 2895              | 124.1             | 44.1              | 0.469                      |
| OD1238-48MB  | 48                       | 30 ~ 52                  | 7.0                     | 0.14                     | 2597              | 114.7             | 41.3              | 0.427                      |
| OD1238-48LB  | 48                       | 30 ~ 52                  | 4.0                     | 0.07                     | 1975              | 89.5              | 35.6              | 0.316                      |

# OD1238 Series with PWM and Tach

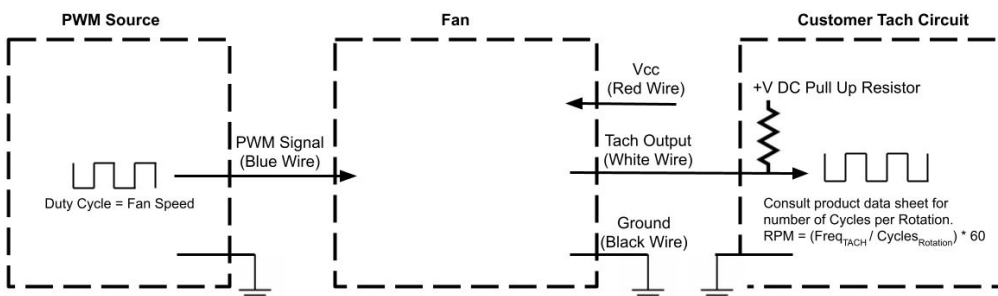


DC Fans - 12, 24, 48V  
120mm x 38mm (4.7" x 1.5")



|                       |   |   |  |
|-----------------------|---|---|--|
| Frame                 | PBT, UL94 V-0 Plastic   | <b>Operating Temperature</b><br>-20°C ~ +65°C<br><b>Storage Temperature</b><br>-25°C ~ +70°C<br><b>Life Expectancy</b><br>65,000 Hours (L10 at 45°C)<br><b>Installed Options</b><br>PWM Speed Control Input<br>Open Collector Tach Output<br><b>Available Options</b><br>5V TTL Tach Output |  |
| Impeller              | PBT, UL94 V-0 Plastic   |   |  |
| Connection            | 4x Lead Wires, 24 AWG   | Weight: 0.57 lbs  |  |
| Motor                 | Brushless DC, Auto Cutoff, Auto Restart, Polarity Protected, Electronically Protected |   |  |
| Bearing System        | Ball Bearings   |   |  |
| Dielectric Strength   | 500VDC/min, <1mA  |   |  |
| Insulation Resistance | ≥10MΩ @ 500 VDC   |   |  |

| Part Number     | Rated Voltage (Volts DC) | Voltage Range (Volts DC) | Input Power (Max Watts) | Rated Current (Max Amps) | Rated Speed (RPM) | Max Airflow (CFM) | Noise Level (dBA) | Max Static Pressure ("H2O) |
|-----------------|--------------------------|--------------------------|-------------------------|--------------------------|-------------------|-------------------|-------------------|----------------------------|
| OD1238-12H3B10A | 12                       | 9 ~ 13.8                 | 17.7                    | 1.43                     | 4190              | 178.0             | 54.0              | 0.977                      |
| OD1238-12HHB10A | 12                       | 9 ~ 13.8                 | 10.0                    | 0.90                     | 3195              | 135.8             | 48.2              | 0.558                      |
| OD1238-12HB10A  | 12                       | 9 ~ 13.8                 | 6.0                     | 0.50                     | 2895              | 124.1             | 44.1              | 0.469                      |
| OD1238-12MB10A  | 12                       | 9 ~ 13.8                 | 4.8                     | 0.40                     | 2597              | 114.7             | 41.3              | 0.427                      |
| OD1238-12LB10A  | 12                       | 9 ~ 13.8                 | 2.4                     | 0.20                     | 1975              | 89.5              | 35.6              | 0.316                      |
| OD1238-24H3B10A | 24                       | 16 ~ 26                  | 22.1                    | 0.90                     | 4190              | 178.0             | 54.0              | 0.98                       |
| OD1238-24HHB10A | 24                       | 16 ~ 26                  | 15.0                    | 0.62                     | 3195              | 135.8             | 48.2              | 0.558                      |
| OD1238-24HB10A  | 24                       | 16 ~ 26                  | 12.0                    | 0.50                     | 2895              | 124.1             | 44.1              | 0.469                      |
| OD1238-24MB10A  | 24                       | 16 ~ 26                  | 8.0                     | 0.34                     | 2597              | 114.7             | 41.3              | 0.427                      |
| OD1238-24LB10A  | 24                       | 16 ~ 26                  | 4.0                     | 0.15                     | 1975              | 89.5              | 35.6              | 0.316                      |
| OD1238-48H3B10A | 48                       | 30 ~ 52                  | 20.5                    | 0.41                     | 4190              | 178.0             | 54.0              | 0.98                       |
| OD1238-48HHB10A | 48                       | 30 ~ 52                  | 15.0                    | 0.30                     | 3195              | 135.8             | 48.2              | 0.558                      |
| OD1238-48HB10A  | 48                       | 30 ~ 52                  | 14.0                    | 0.29                     | 2895              | 124.1             | 44.1              | 0.469                      |
| OD1238-48MB10A  | 48                       | 30 ~ 52                  | 7.0                     | 0.14                     | 2597              | 114.7             | 41.3              | 0.427                      |
| OD1238-48LB10A  | 48                       | 30 ~ 52                  | 4.0                     | 0.07                     | 1975              | 89.5              | 35.6              | 0.316                      |

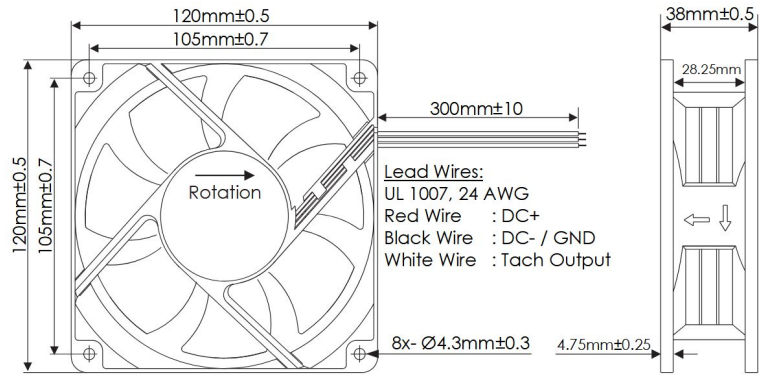


- PWM Max High Voltage: 5.5V
- PWM Max Sink Current: 5mA
- PWM Frequency Range: 1KHz-100KHz
- PWM Typical Frequency: 25KHz
- RPM at 0% Duty Cycle: 0 RPM
- RPM will be full speed if PWM input is disconnected.
- RPM will be 0 if PWM input is 0V or grounded.
- Tach Max Pullup Voltage: Fan Vcc
- Tach Max Sink Current: 5mA
- Tach Cycles per Rotation: 2

# OD1238 Series with Open Collector Tach

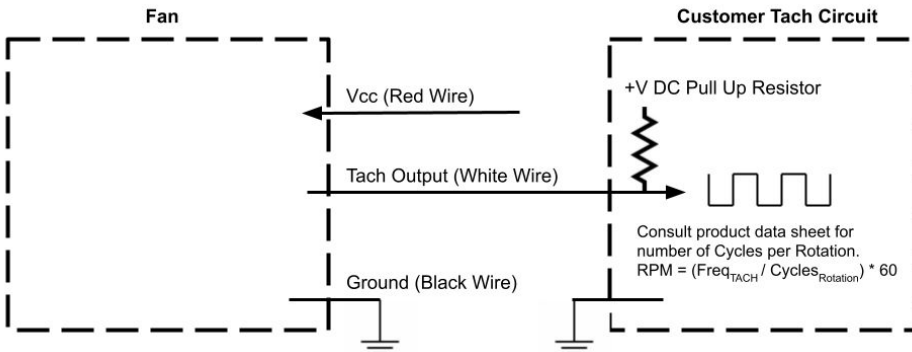


DC Fans - 12, 24, 48V  
120mm x 38mm (4.7" x 1.5")



|                       |   |  |  |
|-----------------------|---|--|--|
| Frame                 | PBT, UL94 V-0 Plastic   | <b>Operating Temperature</b><br>-20°C ~ +65°C<br><b>Storage Temperature</b><br>-25°C ~ +70°C<br><b>Life Expectancy</b><br>65,000 Hours (L10 at 45°C)<br><b>Installed Options</b><br>Open Collector Tach Output<br><b>Available Options</b><br>5V TTL Tach Output |  |
| Impeller              | PBT, UL94 V-0 Plastic   |  |  |
| Connection            | 3x Lead Wires, 24 AWG   | Weight: 0.57 lbs   |  |
| Motor                 | Brushless DC, Auto Cutoff, Auto Restart, Polarity Protected, Electronically Protected |  |  |
| Bearing System        | Ball Bearings   |  |  |
| Dielectric Strength   | 500VDC/min, <1mA  |  |  |
| Insulation Resistance | ≥10MΩ @ 500 VDC   |  |  |

| Part Number     | Rated Voltage (Volts DC) | Voltage Range (Volts DC) | Input Power (Max Watts) | Rated Current (Max Amps) | Rated Speed (RPM) | Max Airflow (CFM) | Noise Level (dBA) | Max Static Pressure ("H <sub>2</sub> O) |
|-----------------|--------------------------|--------------------------|-------------------------|--------------------------|-------------------|-------------------|-------------------|---|
| OD1238-12H3B01A | 12                       | 9 ~ 13.8                 | 17.7                    | 1.43                     | 4190              | 178.0             | 54.0              | 0.977                                   |
| OD1238-12HHB01A | 12                       | 9 ~ 13.8                 | 10.0                    | 0.90                     | 3195              | 135.8             | 48.2              | 0.558                                   |
| OD1238-12HB01A  | 12                       | 9 ~ 13.8                 | 6.0                     | 0.50                     | 2895              | 124.1             | 44.1              | 0.469                                   |
| OD1238-12MB01A  | 12                       | 9 ~ 13.8                 | 4.8                     | 0.40                     | 2597              | 114.7             | 41.3              | 0.427                                   |
| OD1238-12LB01A  | 12                       | 9 ~ 13.8                 | 2.4                     | 0.20                     | 1975              | 89.5              | 35.6              | 0.316                                   |
| OD1238-24H3B01A | 24                       | 16 ~ 26                  | 22.1                    | 0.90                     | 4190              | 178.0             | 54.0              | 0.98                                    |
| OD1238-24HHB01A | 24                       | 16 ~ 26                  | 15.0                    | 0.62                     | 3195              | 135.8             | 48.2              | 0.558                                   |
| OD1238-24HB01A  | 24                       | 16 ~ 26                  | 12.0                    | 0.50                     | 2895              | 124.1             | 44.1              | 0.469                                   |
| OD1238-24MB01A  | 24                       | 16 ~ 26                  | 8.0                     | 0.34                     | 2597              | 114.7             | 41.3              | 0.427                                   |
| OD1238-24LB01A  | 24                       | 16 ~ 26                  | 4.0                     | 0.15                     | 1975              | 89.5              | 35.6              | 0.316                                   |
| OD1238-48H3B01A | 48                       | 30 ~ 52                  | 20.5                    | 0.41                     | 4190              | 178.0             | 54.0              | 0.98                                    |
| OD1238-48HHB01A | 48                       | 30 ~ 52                  | 15.0                    | 0.30                     | 3195              | 135.8             | 48.2              | 0.558                                   |
| OD1238-48HB01A  | 48                       | 30 ~ 52                  | 14.0                    | 0.29                     | 2895              | 124.1             | 44.1              | 0.469                                   |
| OD1238-48MB01A  | 48                       | 30 ~ 52                  | 7.0                     | 0.14                     | 2597              | 114.7             | 41.3              | 0.427                                   |
| OD1238-48LB01A  | 48                       | 30 ~ 52                  | 4.0                     | 0.07                     | 1975              | 89.5              | 35.6              | 0.316                                   |

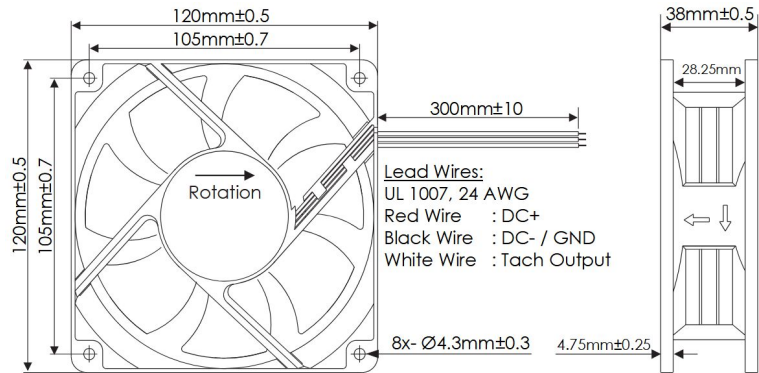


Tach Max Pullup Voltage: Fan Vcc  
 Tach Max Sink Current: 5mA  
 Tach Cycles per Rotation: 2

# OD1238 Series with 5V TTL Tach

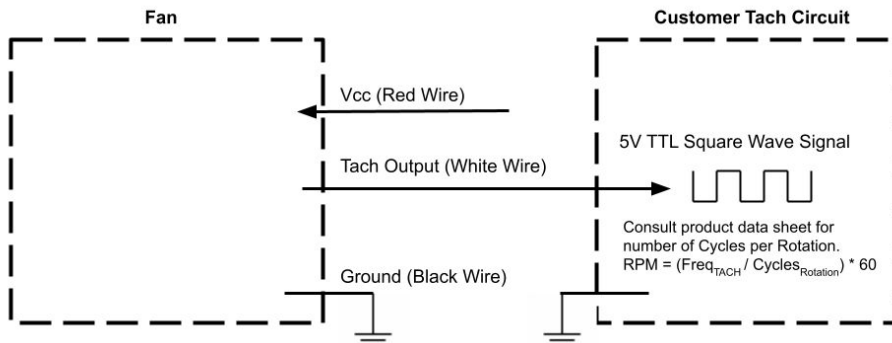


DC Fans - 12, 24, 48V  
120mm x 38mm (4.7" x 1.5")



|                       |   |   |   |  |  |  |  |
|-----------------------|---|---|---|--|--|--|--|
| Frame                 | PBT, UL94 V-0 Plastic   | <b>Operating Temperature</b><br>-20°C ~ +65°C | <b>Storage Temperature</b><br>-25°C ~ +70°C | <b>Life Expectancy</b><br>65,000 Hours (L10 at 45°C) | <b>Installed Options</b><br>5V TTL Tach Output | <b>Available Options</b><br>Open Collector Tach Output |  |
| Impeller              | PBT, UL94 V-0 Plastic   |   |   |  |  |  |  |
| Connection            | 3x Lead Wires, 24 AWG   | <b>Weight:</b> 0.57 lbs                       |   |  |  |  |  |
| Motor                 | Brushless DC, Auto Cutoff, Auto Restart, Polarity Protected, Electronically Protected |   |   |  |  |  |  |
| Bearing System        | Ball Bearings   |   |   |  |  |  |  |
| Dielectric Strength   | 500VDC/min, <1mA  |   |   |  |  |  |  |
| Insulation Resistance | ≥10MΩ @ 500 VDC   |   |   |  |  |  |  |

| Part Number    | Rated Voltage (Volts DC) | Voltage Range (Volts DC) | Input Power (Max Watts) | Rated Current (Max Amps) | Rated Speed (RPM) | Max Airflow (CFM) | Noise Level (dBA) | Max Static Pressure ("H <sub>2</sub> O) |
|----------------|--------------------------|--------------------------|-------------------------|--------------------------|-------------------|-------------------|-------------------|---|
| OD1238-12H3B01 | 12                       | 9 ~ 13.8                 | 17.7                    | 1.43                     | 4190              | 178.0             | 54.0              | 0.977                                   |
| OD1238-12HHB01 | 12                       | 9 ~ 13.8                 | 10.0                    | 0.90                     | 3195              | 135.8             | 48.2              | 0.558                                   |
| OD1238-12HB01  | 12                       | 9 ~ 13.8                 | 6.0                     | 0.50                     | 2895              | 124.1             | 44.1              | 0.469                                   |
| OD1238-12MB01  | 12                       | 9 ~ 13.8                 | 4.8                     | 0.40                     | 2597              | 114.7             | 41.3              | 0.427                                   |
| OD1238-12LB01  | 12                       | 9 ~ 13.8                 | 2.4                     | 0.20                     | 1975              | 89.5              | 35.6              | 0.316                                   |
| OD1238-24H3B01 | 24                       | 16 ~ 26                  | 22.1                    | 0.90                     | 4190              | 178.0             | 54.0              | 0.98                                    |
| OD1238-24HHB01 | 24                       | 16 ~ 26                  | 15.0                    | 0.62                     | 3195              | 135.8             | 48.2              | 0.558                                   |
| OD1238-24HB01  | 24                       | 16 ~ 26                  | 12.0                    | 0.50                     | 2895              | 124.1             | 44.1              | 0.469                                   |
| OD1238-24MB01  | 24                       | 16 ~ 26                  | 8.0                     | 0.34                     | 2597              | 114.7             | 41.3              | 0.427                                   |
| OD1238-24LB01  | 24                       | 16 ~ 26                  | 4.0                     | 0.15                     | 1975              | 89.5              | 35.6              | 0.316                                   |
| OD1238-48H3B01 | 48                       | 30 ~ 52                  | 20.5                    | 0.41                     | 4190              | 178.0             | 54.0              | 0.98                                    |
| OD1238-48HHB01 | 48                       | 30 ~ 52                  | 15.0                    | 0.30                     | 3195              | 135.8             | 48.2              | 0.558                                   |
| OD1238-48HB01  | 48                       | 30 ~ 52                  | 14.0                    | 0.29                     | 2895              | 124.1             | 44.1              | 0.469                                   |
| OD1238-48MB01  | 48                       | 30 ~ 52                  | 7.0                     | 0.14                     | 2597              | 114.7             | 41.3              | 0.427                                   |
| OD1238-48LB01  | 48                       | 30 ~ 52                  | 4.0                     | 0.07                     | 1975              | 89.5              | 35.6              | 0.316                                   |



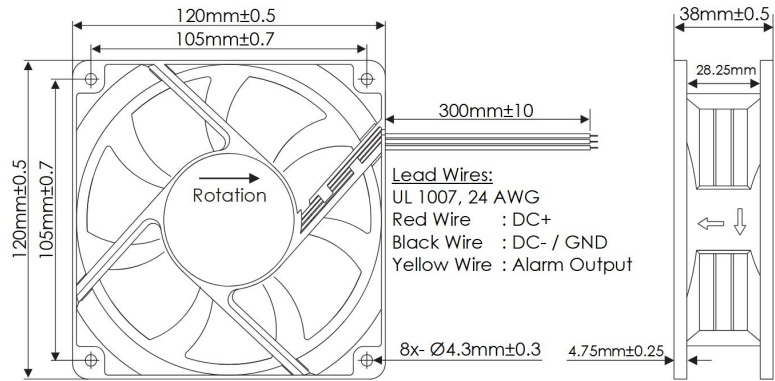
Tach Pulse Output Voltage: 5V  
 Tach Max Sink Current: 5mA  
 Tach Cycles per Rotation: 2



# OD1238 Series with Open Collector Alarm

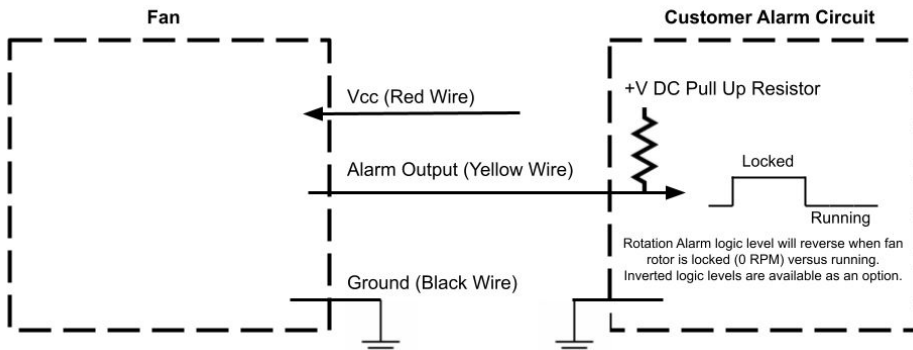


DC Fans - 12, 24, 48V  
120mm x 38mm (4.7" x 1.5")



|                       |   |   |  |
|-----------------------|---|---|--|
| Frame                 | PBT, UL94 V-0 Plastic   | <b>Operating Temperature</b><br>-20°C ~ +65°C<br><b>Storage Temperature</b><br>-25°C ~ +70°C<br><b>Life Expectancy</b><br>65,000 Hours (L10 at 45°C)<br><b>Installed Options</b><br>Open Collector Alarm Output<br><b>Available Options</b><br>5V TTL Alarm Output<br>Inverted Alarm States |  |
| Impeller              | PBT, UL94 V-0 Plastic   |   |  |
| Connection            | 3x Lead Wires, 24 AWG   | Weight: 0.57 lbs  |  |
| Motor                 | Brushless DC, Auto Cutoff, Auto Restart, Polarity Protected, Electronically Protected |   |  |
| Bearing System        | Ball Bearings   |   |  |
| Dielectric Strength   | 500VDC/min, <1mA  |   |  |
| Insulation Resistance | ≥10MΩ @ 500 VDC   |   |  |

| Part Number     | Rated Voltage (Volts DC) | Voltage Range (Volts DC) | Input Power (Max Watts) | Rated Current (Max Amps) | Rated Speed (RPM) | Max Airflow (CFM) | Noise Level (dBA) | Max Static Pressure ("H2O) |
|-----------------|--------------------------|--------------------------|-------------------------|--------------------------|-------------------|-------------------|-------------------|----------------------------|
| OD1238-12H3B02A | 12                       | 9 ~ 13.8                 | 17.7                    | 1.43                     | 4190              | 178.0             | 54.0              | 0.977                      |
| OD1238-12HHB02A | 12                       | 9 ~ 13.8                 | 10.0                    | 0.90                     | 3195              | 135.8             | 48.2              | 0.558                      |
| OD1238-12HB02A  | 12                       | 9 ~ 13.8                 | 6.0                     | 0.50                     | 2895              | 124.1             | 44.1              | 0.469                      |
| OD1238-12MB02A  | 12                       | 9 ~ 13.8                 | 4.8                     | 0.40                     | 2597              | 114.7             | 41.3              | 0.427                      |
| OD1238-12LB02A  | 12                       | 9 ~ 13.8                 | 2.4                     | 0.20                     | 1975              | 89.5              | 35.6              | 0.316                      |
| OD1238-24H3B02A | 24                       | 16 ~ 26                  | 22.1                    | 0.90                     | 4190              | 178.0             | 54.0              | 0.98                       |
| OD1238-24HHB02A | 24                       | 16 ~ 26                  | 15.0                    | 0.62                     | 3195              | 135.8             | 48.2              | 0.558                      |
| OD1238-24HB02A  | 24                       | 16 ~ 26                  | 12.0                    | 0.50                     | 2895              | 124.1             | 44.1              | 0.469                      |
| OD1238-24MB02A  | 24                       | 16 ~ 26                  | 8.0                     | 0.34                     | 2597              | 114.7             | 41.3              | 0.427                      |
| OD1238-24LB02A  | 24                       | 16 ~ 26                  | 4.0                     | 0.15                     | 1975              | 89.5              | 35.6              | 0.316                      |
| OD1238-48H3B02A | 48                       | 30 ~ 52                  | 20.5                    | 0.41                     | 4190              | 178.0             | 54.0              | 0.98                       |
| OD1238-48HHB02A | 48                       | 30 ~ 52                  | 15.0                    | 0.30                     | 3195              | 135.8             | 48.2              | 0.558                      |
| OD1238-48HB02A  | 48                       | 30 ~ 52                  | 14.0                    | 0.29                     | 2895              | 124.1             | 44.1              | 0.469                      |
| OD1238-48MB02A  | 48                       | 30 ~ 52                  | 7.0                     | 0.14                     | 2597              | 114.7             | 41.3              | 0.427                      |
| OD1238-48LB02A  | 48                       | 30 ~ 52                  | 4.0                     | 0.07                     | 1975              | 89.5              | 35.6              | 0.316                      |



Alarm Max Pullup Voltage: Fan Vcc  
 Alarm Max Sink Current: 5mA  
 Alarm Active State: HIGH