

70067-0778 TUBE PACKAGING MATRIX

TUBE LENGTH = 22.05" TUBE PAYLOAD LENGTH = 21.45"

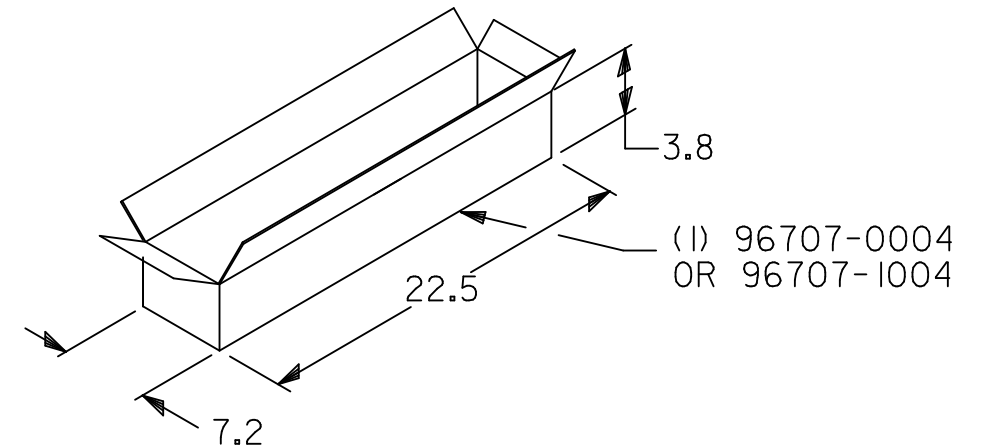
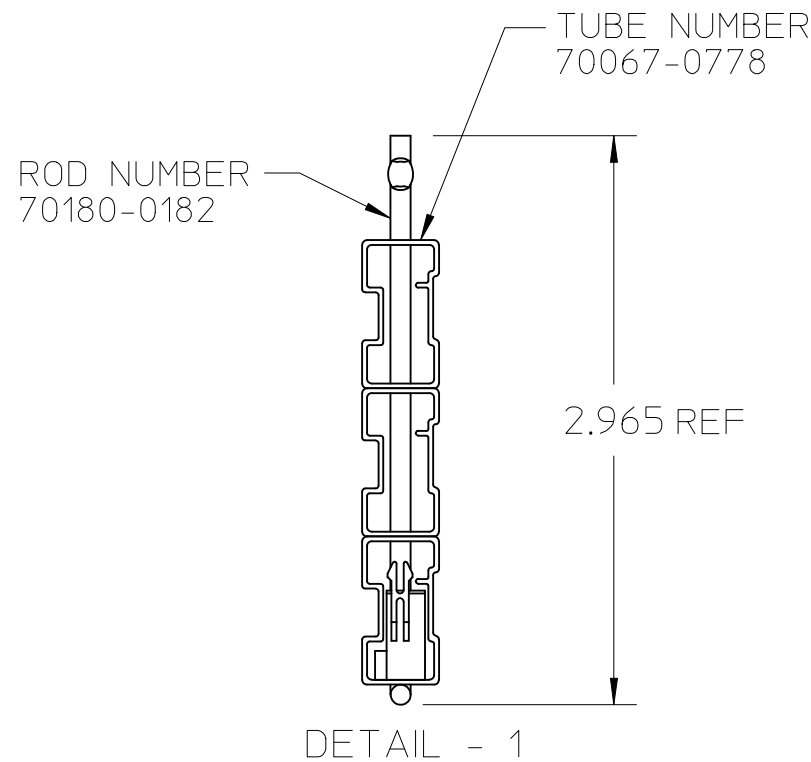
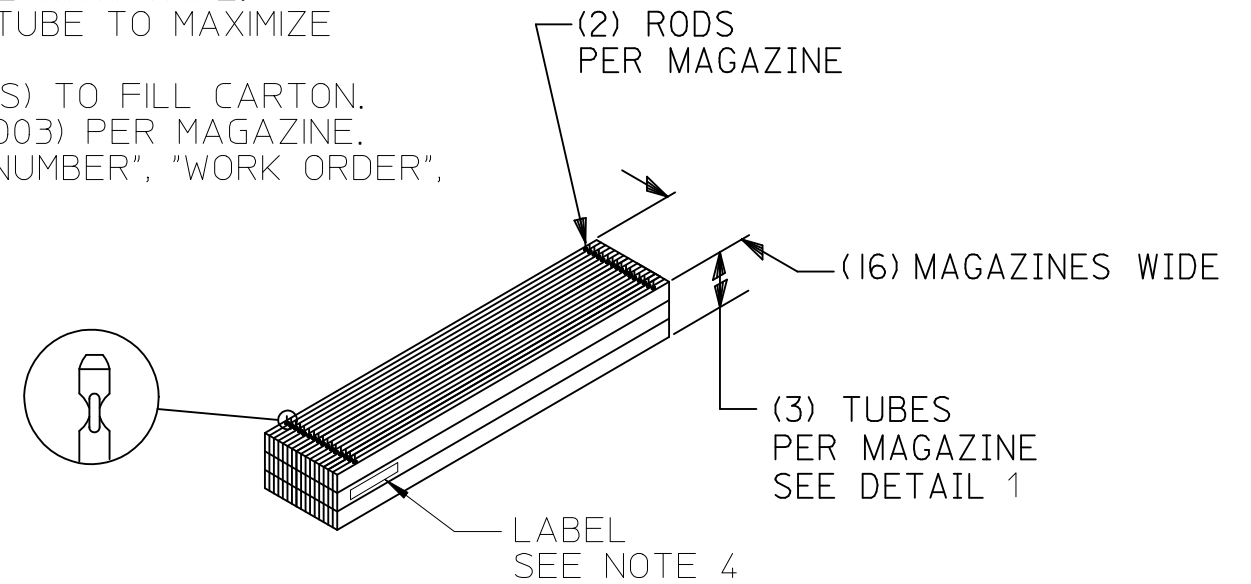
ASSEMBLIES WITHOUT PCB MOUNTING PEGS

ASSEMBLIES WITH PCB MOUNTING PEGS

CKT. SIZE	PARTS PER TUBE	PARTS PER MAGAZINE	PARTS PER CARTON (SPO)	CKT. SIZE	PARTS PER TUBE	PARTS PER MAGAZINE	PARTS PER CARTON (SPO)
2	72	216	3456	2	43	129	2064
3	52	156	2496	3	35	105	1680
4	42	126	2016	4	30	90	1440
5	35	105	1680	5	26	78	1248
6	30	90	1440	6	23	69	1104
7	26	78	1248	7	21	63	1008
8	23	69	1104	8	19	57	912
9	21	63	1008	9	17	51	816
10	19	57	912	10	16	48	768
11	17	51	816	11	15	45	720
12	16	48	768	12	14	42	672
13	15	45	720	13	13	39	624
14	14	42	672	14	12	36	576
15	13	39	624	15	11	33	528
16	12	36	576	16	11	33	528
17	11	33	528	17	10	30	480
18	11	33	528	18	10	30	480
19	10	30	480	19	9	27	432
20	10	30	480	20	9	27	432
21	9	27	432	21	8	24	384
22	9	27	432	22	8	24	384
23	8	24	384	23	8	24	384
24	8	24	384	24	7	21	336
25	8	24	384	25	7	21	336

NOTES:

1. STAPLES MAY BE USED TO SET UP CARTON ONLY. CARTON CLOSURES MUST BE DONE WITH TAPE.
2. ORIENT ROD END PARRALLEL TO TUBE TO MAXIMIZE TUBE QTYS IN BOX
3. IF NECESSARY, ADD FOAM SHEET(S) TO FILL CARTON.
4. PLACE ONE TUBE LABEL (85-15-0003) PER MAGAZINE. TUBE LABEL TO CONTAIN "PART NUMBER", "WORK ORDER", AND "BOX NUMBER"



ADD LABEL EC NO: UCP2010-2427 DRWN:MSIBARRA 2010/03/22 CHKD:DMORGAN 2010/03/22 APPR:SMILLER 2010/03/31	DESCRIPTION REV	QUALITY SYMBOLS	GENERAL TOLERANCES (UNLESS SPECIFIED)		DIMENSION STYLE INCH ONLY		SCALE	DESIGN UNITS INCH	THIRD ANGLE PROJECTION
		$\nabla_A = 0$ $\nabla_F = 0$ $\nabla_P = 0$	mm	INCH	DRAWN BY	DATE	TITLE		
		4 PLACES ± --- ± --- 3 PLACES ± --- ± --- 2 PLACES ± --- ± --- 1 PLACE ± --- ± ---			T0	1986/04/14	CUST. PKG. SPECIFICATION FOR A-7054* SL VERTICAL HEADER ASSEMBLIES		
		ANGULAR ±1/2°			T0	1986/04/14			
		DRAFT WHERE APPLICABLE MUST REMAIN WITHIN DIMENSIONS	MATERIAL NO.	085-22-0014	MOLEX INCORPORATED	DOCUMENT NO.	PK-70873-0014	SHEET NO.	1 OF 1
			SIZE B	THIS DRAWING CONTAINS INFORMATION THAT IS PROPRIETARY TO MOLEX INCORPORATED AND SHOULD NOT BE USED WITHOUT WRITTEN PERMISSION					