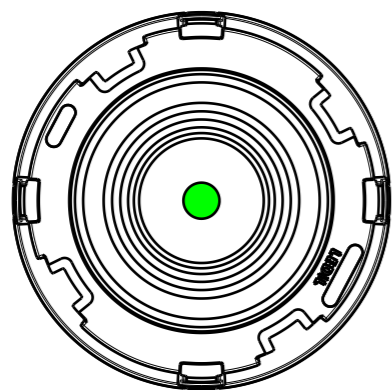
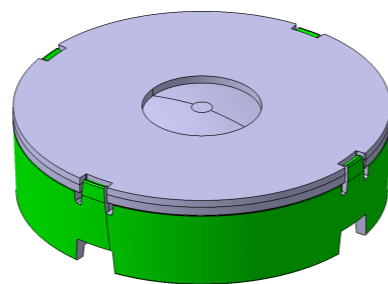
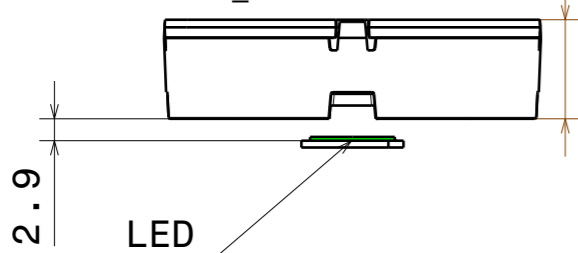
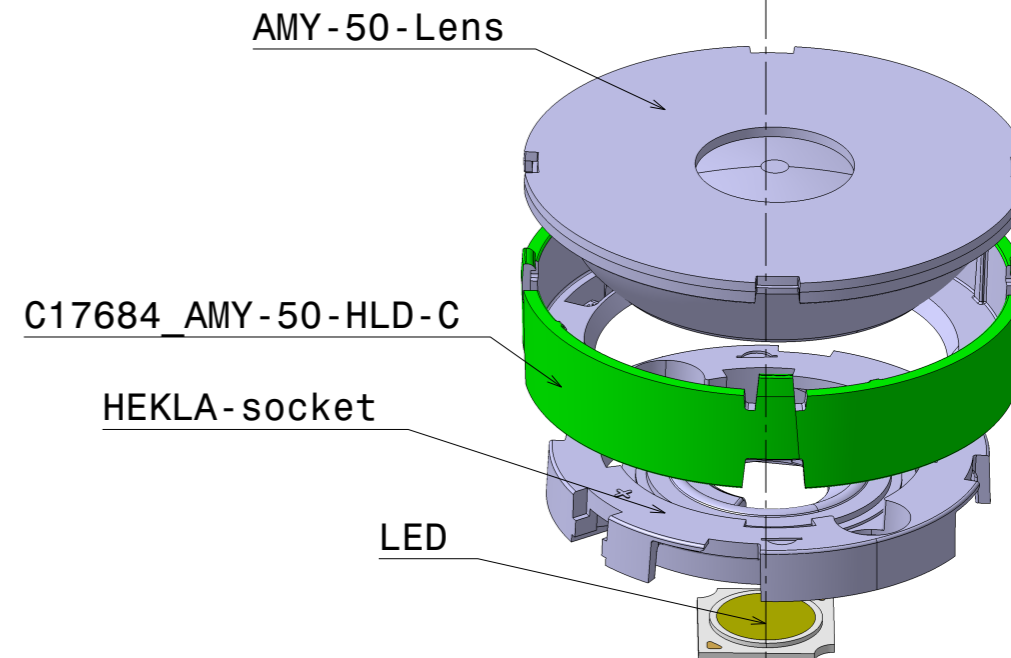


- CP17685_ AMY-50-S2-C = 12.93
- CP17694_ AMY-50-S-C = 13.10
- CP17690_ AMY-50-M-C = 13.04
- CP17691_ AMY-50-W-C = 13.10
- CP17692_ AMY-50-WW-C = 13.10



Example assembly



CP17685, CP17694, CP17690, CP17691, CP17692_ AMY-50-C

COMPONENTS

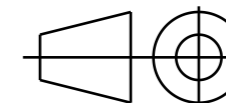
INDEX	PART	TYPE	MATERIAL	COLOR / COATING
1	C17683/C17686/C17687/C17688/C17689_ AMY-50	Lens	PMMA	Clear
2	C17684_ AMY-50-HLD-C	Holder	PC	Black

MECHANICAL DRAWING

PRODUCT
AMY

Plastic moulding general tolerances according to DIN 16901-130 and applies if not otherwise shown in the drawing. Silicone moulding general tolerances according to ISO 3302-1 Class M3 and applies if not otherwise shown in the drawing.

FIRST ANGLE PROJECTION:



LEDiL®

This drawing is the property of LEDiL Oy. It may not be copied or otherwise distributed without prior written permission from LEDiL Oy.

SCALE 1:1

WEIGHT -

A3 SHEET 1/1

Notes

- PCB or heatsink level.
- LED location
- Ensure LED fitting from a product specific 3D model available from www.ledil.com
- For more details about installation please see LEDiL Installation Guide on www.ledil.com