

CDC925

133-MHz CLOCK SYNTHESIZER/DRIVER FOR PC MOTHERBOARDS WITH 3-STATE OUTPUTS

SCAS633 – JULY 28, 1999

- Supports Pentium III™ Class Motherboards
- Uses a 14.318-MHz Crystal Input to Generate Multiple Output Frequencies
- Includes Spread Spectrum Clocking (SSC), 0.34% Downspread for Reduced EMI Performance
- Power Management Control Terminals
- Low Output Skew and Jitter for Clock Distribution
- 2.5-V and 3.3-V Supplies
- Generates the Following Clocks:
 - 4 CPU (2.5 V, 100/133 MHz)
 - 7 PCI (3.3 V, 33.3 MHz)
 - 1 PCI_F (Free Running, 3.3 V, 33.3 MHz)
 - 2 CPU/2 (2.5 V, 50/66 MHz)
 - 3 APIC (2.5 V, 16.67 MHz)
 - 4 3V66 (3.3 V, 66 MHz)
 - 2 REF (3.3 V, 14.318 MHz)
 - 1 48MHz (3.3 V, 48 MHz)
- Packaged in 56-Pin SSOP Package
- Designed for Use with TI's Direct Rambus™ Clock Generators (CDCR81, CDCR82, CDCR83)

description

The CDC925 is a clock synthesizer/driver that generates system clocks necessary to support Intel Pentium III systems on CPU, CPU_DIV2, 3V66, PCI, APIC, 48MHz, and REF clock signals.

All output frequencies are generated from a 14.318-MHz crystal input. A reference clock input instead of a crystal can be provided at the XIN input. Two phase-locked loops (PLLs) are used, one to generate the host frequencies and the other to generate the 48-MHz clock frequency. On-chip loop filters and internal feedback loops eliminate the need for external components.

The host and PCI clock outputs provide low-skew and low-jitter clock signals for reliable clock operation. All outputs have 3-state capability, which can be selected via control inputs SEL0, SEL1, and SEL133/100.

The outputs are either 3.3-V or 2.5-V single-ended CMOS buffers. With a logic high-level on the PWR_DWN terminal, the device operates normally, but when a logical low-level input is applied, the device powers down completely, with the outputs in a low-level output state. When a high-level is applied to the PCI_STOP or CPU_STOP, the outputs operate normally. With a low-level applied to the PCI_STOP or CPU_STOP terminals, the PCI or CPU and 3V66 outputs, respectively, are held in a low-level state.

The CPU bus can operate at 100 MHz or 133 MHz. Output frequency selection is done with corresponding setting for SEL133/100 control input. The PCI bus frequency is fixed to 33MHz.

DL PACKAGE
(TOP VIEW)

	1		56	
GND	2		55	V _{DD} 2.5V
REF0	3		54	APIC2
REF1	4		53	APIC1
V _{DD} 3.3V	5		52	APIC0
XIN	6		51	GND
XOUT	7		50	V _{DD} 2.5V
GND	8		49	CPU_DIV2(1)
PCI_F	9		48	CPU_DIV2(0)
PCI1	10		47	GND
V _{DD} 3.3V	11		46	V _{DD} 2.5V
PCI2	12		45	CPU3
PCI3	13		44	CPU2
GND	14		43	GND
PCI4	15		42	V _{DD} 2.5V
PCI5	16		41	CPU1
V _{DD} 3.3V	17		40	CPU0
PCI6	18		39	GND
PCI7	19		38	V _{DD} 3.3V
GND	20		37	GND
GND	21		36	<u>PCI_STOP</u>
3V66(0)	22		35	<u>CPU_STOP</u>
3V66(1)	23		34	<u>PWR_DWN</u>
V _{DD} 3.3V	24		33	<u>SPREAD</u>
GND	25		32	SEL1
3V66(2)	26		31	SEL0
3V66(3)	27		30	V _{DD} 3.3V
V _{DD} 3.3V	28		29	48MHz
SEL133/100				GND



Please be aware that an important notice concerning availability, standard warranty, and use in critical applications of Texas Instruments semiconductor products and disclaimers thereto appears at the end of this data sheet.

Intel and Pentium III are trademarks of Intel Corporation.
Direct Rambus and Rambus are trademarks of Rambus Inc.

PRODUCTION DATA information is current as of publication date. Products conform to specifications per the terms of Texas Instruments standard warranty. Production processing does not necessarily include testing of all parameters.



POST OFFICE BOX 655303 • DALLAS, TEXAS 75265

Copyright © 1999, Texas Instruments Incorporated

CDC925

133-MHz CLOCK SYNTHESIZER/DRIVER FOR PC MOTHERBOARDS

WITH 3-STATE OUTPUTS

SCAS633 – JULY 28, 1999

description (continued)

Since the CDC925 is based on PLL circuitry, it requires a stabilization time to achieve phase lock of the PLL. This stabilization time is required after power up or after changes to the SEL inputs are made. With use of an external reference clock, this signal must be fixed-frequency and fixed-phase before the stabilization time starts.

function tables

SELECT FUNCTIONS

INPUTS			OUTPUTS							FUNCTION	
SEL133/ 100	SEL1	SEL0	CPU	CPU_DIV2	3V66	PCI, PCI_F	48MHz	REF	APIC		
L	L	L	Hi-Z	Hi-Z	Hi-Z	Hi-Z	Hi-Z	Hi-Z	Hi-Z	Hi-Z	3-state
L	L	H	N/A	N/A	N/A	N/A	N/A	N/A	N/A	N/A	Reserved
L	H	L	100 MHz	50 MHz	66 MHz	33 MHz	Hi-Z	14.318 MHz	16.67 MHz		48-MHz PLL off
L	H	H	100 MHz	50 MHz	66 MHz	33 MHz	48 MHz	14.318 MHz	16.67 MHz		48-MHz PLL on
H	L	L	TCLK/2	TCLK/4	TCLK/4	TCLK/8	TCLK/2	TCLK	TCLK/16		Test
H	L	H	N/A	N/A	N/A	N/A	N/A	N/A	N/A	N/A	Reserved
H	H	L	133 MHz	66 MHz	66 MHz	33 MHz	Hi-Z	14.318 MHz	16.67 MHz		48-MHz PLL off
H	H	H	133 MHz	66 MHz	66 MHz	33 MHz	48 MHz	14.318 MHz	16.67 MHz		48-MHz PLL on

ENABLE FUNCTIONS

INPUTS			OUTPUTS							INTERNAL	
CPU_STOP	PWR_DWN	PCI_STOP	CPU	CPU_DIV2	APIC	3V66	PCI	PCI_F	REF, 48MHz	Crystal	VCOs
X	L	X	L	L	L	L	L	L	L	Off	Off
L	H	L	L	On	On	L	L	On	On	On	On
L	H	H	L	On	On	L	On	On	On	On	On
H	H	L	On	On	On	On	L	On	On	On	On
H	H	H	On	On	On	On	On	On	On	On	On

OUTPUT BUFFER SPECIFICATIONS

BUFFER NAME	V _{DD} RANGE (V)	IMPEDANCE (Ω)	BUFFER TYPE
CPU, CPU_DIV2, APIC	2.375 – 2.625	13.5 – 45	TYPE 1
48MHz, REF	3.135 – 3.465	20 – 60	TYPE 3
PCI, PCI_F, 3V66	3.135 – 3.465	12 – 55	TYPE 5



CDC925
**133-MHz CLOCK SYNTHESIZER/DRIVER FOR PC MOTHERBOARDS
 WITH 3-STATE OUTPUTS**

SCAS633 – JULY 28, 1999

Terminal Functions

TERMINAL NAME		NO.	I/O	DESCRIPTION
3V66 [0–3]	21, 22, 25, 26		O	3.3 V, Type 5, 66-MHz clock outputs
48MHz	30		O	3.3 V, Type 3, 48-MHz clock output
APIC [0–2]	53, 54, 55		O	2.5 V, Type 1, APIC clock outputs
CPU [0–3]	41, 42, 45, 46		O	2.5 V, Type 1, CPU clock outputs
CPU_DIV2 [0–1]	49, 50		O	2.5 V, Type 1, CPU_DIV2 clock outputs
CPU_STOP	36		I	Disables CPU clock to low state
GND	1, 7, 13, 19, 20, 24, 29, 38, 40, 44, 48, 52			Ground
PCI [1–7]	9, 11, 12, 14, 15, 17, 18		O	3.3 V, Type 5, 33-MHz PCI clock outputs
PCI_F	8		O	Free-running 3.3-V, Type 5, 33-MHz PCI clock output
PCI_STOP	37		I	Disables PCI clock to low state
PWR_DWN	35		I	Power down for complete device with outputs forced low
REF0, REF1	2, 3		O	3.3 V, Type 3, 14.318-MHz reference clock output
SEL0, SEL1	32, 33		I	LVTTL level logic select terminals for function selection
SEL133/100	28		I	LVTTL level logic select pins for enabling 100/133 MHz
SPREAD	34		I	Disables SSC function
V _{DD} 3.3V	4, 10, 16, 23, 27, 31, 39			Power for the 3V66, 48MHz, PCI, REF outputs and CORE logic
V _{DD} 2.5V	43, 47, 51, 56			Power for CPU and APIC outputs
XIN	5		I	Crystal input – 14.318 MHz
XOUT	6		O	Crystal output – 14.318 MHz

CDC925
133-MHz CLOCK SYNTHESIZER/DRIVER FOR PC MOTHERBOARDS
WITH 3-STATE OUTPUTS

SCAS633 – JULY 28, 1999

spread spectrum clock (SSC) implementation for CDC925

Simultaneously switching at fixed frequency generates a significant power peak at the selected frequency, which in turn will cause EMI disturbance to the environment. The purpose of the internal frequency modulation of the CPU-PLL allows to distribute the energy to many different frequencies which reduces the power peak. A typical characteristic for a single frequency spectrum and a frequency modulated spectrum is shown in Figure 1.

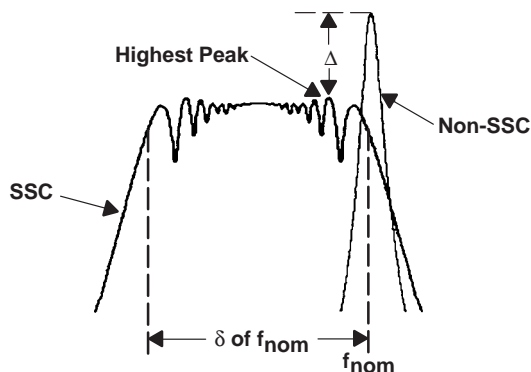


Figure 1. Frequency Power Spectrum With and Without the Use of SSC

The modulated spectrum has its distribution left hand to the single frequency spectrum which indicates a “down-spread modulation”.

The peak reduction depends on the modulation scheme and modulation profile. System performance and timing requirements are the limiting factors for actual design implementations. The implementation was driven to keep the average clock frequency closed to its upper specification limit. The modulation amount was set to approximately -0.34% (compared to -0.5% on the CDC924).

In order to allow a downstream PLL to follow the frequency modulated signal, the bandwidth of the modulation signal is limited in order to minimize SSC induced tracking skew jitter. The ideal modulation profile used for CDC925 is shown in Figure 2.

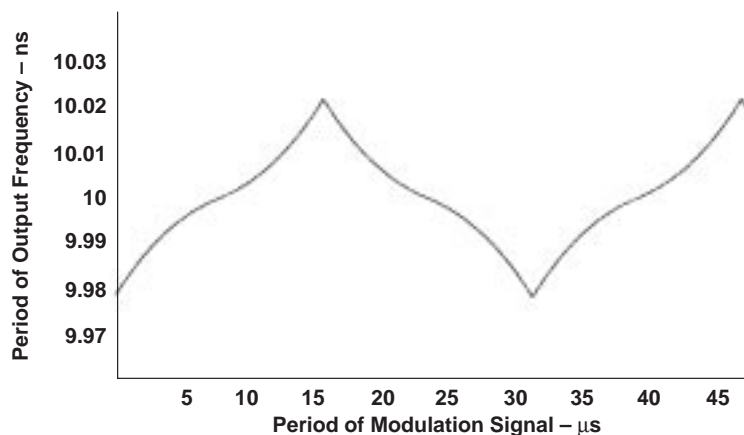
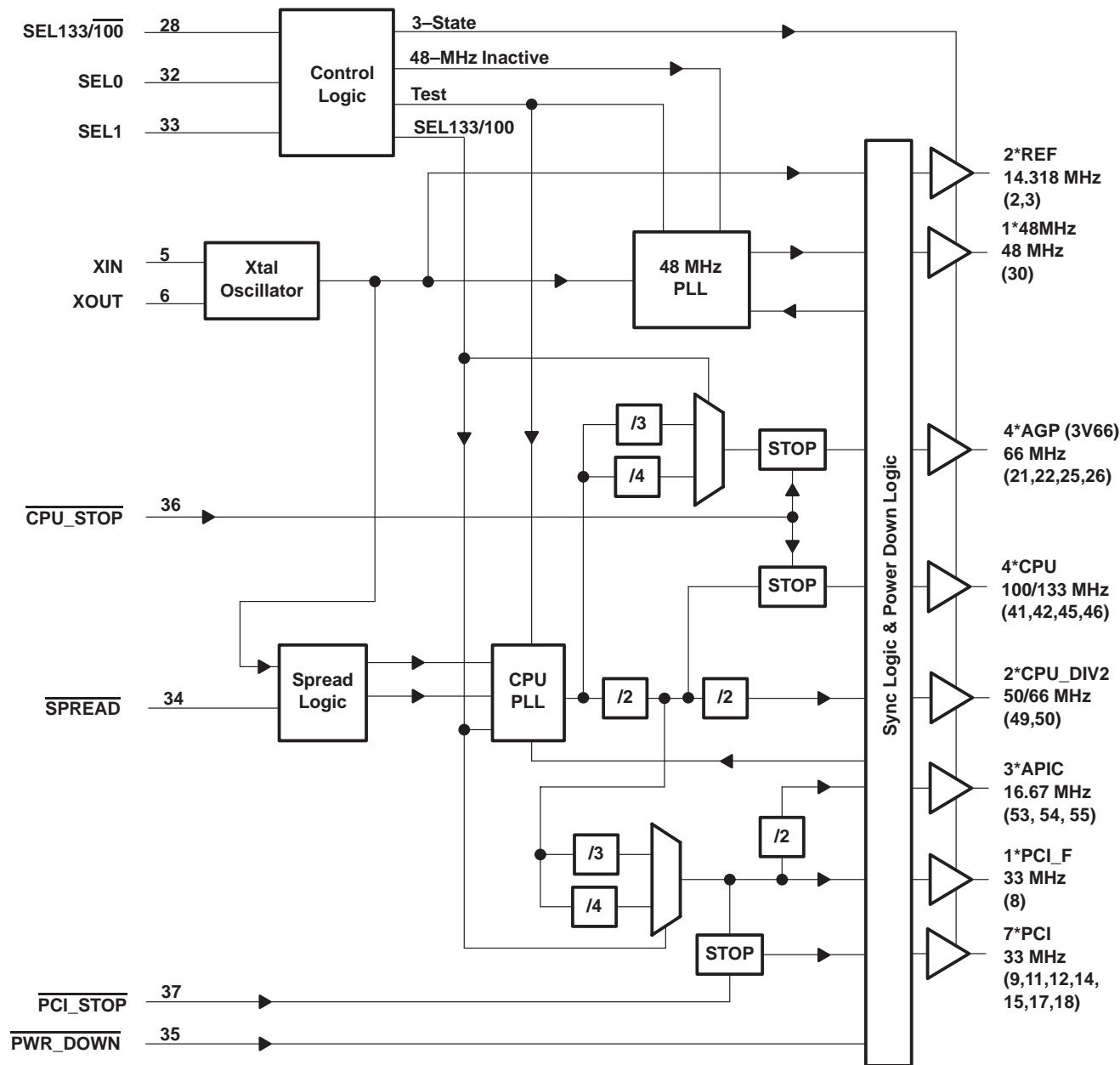


Figure 2. SSC Modulation Profile

CDC925 133-MHz CLOCK SYNTHESIZER/DRIVER FOR PC MOTHERBOARDS WITH 3-STATE OUTPUTS

SCAS633 – JULY 28, 1999

functional block diagram



CDC925

133-MHz CLOCK SYNTHESIZER/DRIVER FOR PC MOTHERBOARDS

WITH 3-STATE OUTPUTS

SCAS633 – JULY 28, 1999

absolute maximum ratings over operating free-air temperature range (unless otherwise noted)†

Supply voltage range, V_{DD}	–0.5 V to 4.6 V
Input voltage range, V_I (see Note 1)	–0.5 V to 4.6 V
Voltage range applied to any output in the high-impedance state or power-off state, V_O (see Note 1)	–0.5 V to $V_{DD} + 0.5$ V
Current into any output in the low state, I_O	$2 \times I_{OL}$
Input clamp current, I_{IK} ($V_I < 0$)	–18 mA
Output clamp current, I_{OK} ($V_O < 0$)	–50 mA
Operating free-air temperature range, T_A	–0°C to 85°C
Storage temperature range, T_{stg}	–65°C to 150°C
Lead temperature 1,6 mm (1/16 inch) from case for 10 seconds	260°C

† Stresses beyond those listed under “absolute maximum ratings” may cause permanent damage to the device. These are stress ratings only, and functional operation of the device at these or any other conditions beyond those indicated under “recommended operating conditions” is not implied. Exposure to absolute-maximum-rated conditions for extended periods may affect device reliability.

NOTE 1: The input and output negative-voltage ratings may be exceeded if the input and output clamp-current ratings are observed.

DISSIPATION RATING TABLE

PACKAGE	$T_A \leq 25^\circ\text{C}$ POWER RATNG	DERATING FACTORT ABOVE $T_A = 25^\circ\text{C}$	$T_A = 70^\circ\text{C}$ POWER RATING	$T_A = 85^\circ\text{C}$ POWER RATING
DL	1558.6 mW	12.468 mW/°C	997.5 mW	810.52 mW

† This is the inverse of the traditional junction-to-case thermal resistance ($R_{\theta JA}$) and uses a board-mounted device at 80.2°C/W.

recommended operating conditions (see Note 2)

		MIN	NOM†	MAX	UNIT
Supply voltage, V_{DD}	3.3 V	3.135		3.465	V
	2.5 V	2.375		2.625	
High-level input voltage, V_{IH}		2		$V_{DD} + 0.3$ V	V
Low-level input voltage, V_{IL}		GND – 0.3 V		0.8	V
Input voltage, V_I		0		V_{DD}	V
High-level output current, I_{OH}	CPUx, CPU_DIV2x			–12	mA
	APICx			–12	
	48MHz, REFx			–14	
	PCIx, PCI_F, 3V66x			–18	
Low-level output current, I_{OL}	CPUx, CPU_DIV2x			12	mA
	APICx			12	
	48MHz, REFx			9	
	PCIx, PCI_F, 3V66x			12	
Reference frequency, $f_{(XIN)}^\ddagger$	Test mode		130		MHz
Crystal frequency, $f_{(XTAL)}^\S$	Normal mode	13.8	14.318	14.8	MHz
Operating free-air temperature, T_A		0		85	°C

NOTE 2: Unused inputs must be held high or low to prevent them from floating.

† All nominal values are measured at their respective nominal V_{DD} values.

‡ Reference frequency is a test clock driven on the XIN input during the device test mode and normal mode. In test mode, XIN can be driven externally up to $f_{(XIN)} = 130$ MHz. If XIN is driven externally, XOUT is floating.

§ This is a series fundamental crystal with $f_0 = 14.31818$ MHz.



CDC925

133-MHz CLOCK SYNTHESIZER/DRIVER FOR PC MOTHERBOARDS WITH 3-STATE OUTPUTS

SCAS633 – JULY 28, 1999

electrical characteristics over recommended operating free-air temperature range (unless otherwise noted)

PARAMETER		TEST CONDITIONS		MIN	TYP†	MAX	UNIT
V _{IK}	Input clamp voltage	V _{DD} = 3.135 V, I _I = -18 mA				-1.2	V
R _I	Input resistance	XIN-XOUT	V _{DD} = 3.465 V, V _I = V _{DD} - 0.5 V	80		350	kΩ
I _{IH}	High-level input current	XOUT	V _{DD} = 3.135 V, V _I = V _{DD} - 0.5 V		20	50	mA
		SEL0, SEL1, CPU_STOP, PCI_STOP, SPREAD	V _{DD} = 3.465 V, V _I = V _{DD}		<10	10	μA
		PWR_DWN	V _{DD} = 3.465 V, V _I = V _{DD}		<10	10	μA
		SEL133/100	V _{DD} = 3.465 V, V _I = V _{DD}		<10	10	μA
I _{IL}	Low-level input current	XOUT	V _{DD} = 3.135 V, V _O = 0 V		-2	-5	mA
		SEL0, SEL1, CPU_STOP, PCI_STOP, SPREAD	V _{DD} = 3.465 V, V _I = GND		<10	-10	μA
		PWR_DWN	V _{DD} = 3.465 V, V _I = GND		<10	-10	μA
		SEL133/100	V _{DD} = 3.465 V, V _I = GND		<10	-10	μA
I _{OZ}	High-impedance-state output current	V _{DD} = max, V _O = V _{DD} or GND				±10	μA
I _{DD}	Supply current	V _{DD} = 2.625 V, All outputs = low			<20	100	μA
		V _{DD} = 2.625 V, All outputs = high		V _{DDX} = 2.5 V,	<20	100	
		V _{DD} = 3.465 V, All outputs = low		PWR_DWN = low,	<50	200	
		V _{DD} = 3.465 V, All outputs = high			12	35	mA
I _{DD(Z)}	High-impedance-state supply current	V _{DD} = 2.625 V				1.4	mA
		V _{DD} = 3.465 V				28	
Dynamic supply current		C _L = 20 pF, CPU = 133 MHz	V _{DD} = 3.465 V		114	146	mA
			V _{DD} = 2.625 V		52	70	
C _I	Input capacitance	V _{DD} = 3.3 V, V _I = V _{DD} or GND		3.3		5.8	pF
Crystal terminal capacitance		V _{DD} = 3.3 V, V _I = 0.3 V		18	18.5	22.5	pF

† All typical values are measured at their respective nominal V_{DD} values.

CDC925
133-MHz CLOCK SYNTHESIZER/DRIVER FOR PC MOTHERBOARDS
WITH 3-STATE OUTPUTS

SCAS633 – JULY 28, 1999

electrical characteristics over recommended operating free-air temperature range (unless otherwise noted) (continued)

CPUx, CPU_DIV2x, APICx (Type 1)

PARAMETER		TEST CONDITIONS	MIN	TYP†	MAX	UNIT
V _{OH}	High-level output voltage	V _{DD} = min to max, I _{OH} = -1 mA	V _{DD} - 0.1 V			V
		V _{DD} = 2.375 V, I _{OH} = -12 mA	2			
V _{OL}	Low-level output voltage	V _{DD} = min to max, I _{OL} = 1 mA			0.1	V
		V _{DD} = 2.375 V, I _{OL} = 12 mA		0.18	0.4	
I _{OH}	High-level output current	V _{DD} = 2.375 V, V _O = 1 V	-26	-42		mA
		V _{DD} = 2.5 V, V _O = 1.25 V		-46		
		V _{DD} = 2.625 V, V _O = 2.375 V		-16	-27	
I _{OL}	Low-level output current	V _{DD} = 2.375 V, V _O = 1.2 V	27	57		mA
		V _{DD} = 2.5 V, V _O = 1.25 V		63		
		V _{DD} = 2.625 V, V _O = 0.3 V		23	43	
C _O	Output capacitance	V _{DD} = 3.3 V, V _O = V _{DD} or GND	6		8.5	pF
Z _O	Output impedance	High state V _O = 0.5 V _{DD} , V _O /I _{OH}	13.5	27	45	Ω
		Low state V _O = 0.5 V _{DD} , V _O /I _{OL}	13.5	20	45	

† All typical values are measured at their respective nominal V_{DD} values.

48MHz, REFx (Type 3)

PARAMETER		TEST CONDITIONS	MIN	TYP†	MAX	UNIT
V _{OH}	High-level output voltage	V _{DD} = min to max, I _{OH} = -1 mA	V _{DD} - 0.1 V			V
		V _{DD} = 3.135 V, I _{OH} = -14 mA	2.4			
V _{OL}	Low-level output voltage	V _{DD} = min to max, I _{OL} = 1 mA			0.1	V
		V _{DD} = 3.135 V, I _{OL} = 9 mA		0.18	0.4	
I _{OH}	High-level output current	V _{DD} = 3.135 V, V _O = 1 V	-27	-41		mA
		V _{DD} = 3.3 V, V _O = 1.65 V		-41		
		V _{DD} = 3.465 V, V _O = 3.135 V		-12	-23	
I _{OL}	Low-level output current	V _{DD} = 3.135 V, V _O = 1.95 V	29	50		mA
		V _{DD} = 3.3 V, V _O = 1.65 V		53		
		V _{DD} = 3.465 V, V _O = 0.4 V		20	37	
C _O	Output capacitance	V _{DD} = 3.3 V, V _O = V _{DD} or GND	4.5		7	pF
Z _O	Output impedance	High state V _O = 0.5 V _{DD} , V _O /I _{OH}	20	40	60	Ω
		Low state V _O = 0.5 V _{DD} , V _O /I _{OL}	20	31	60	

† All typical values are measured at their respective nominal V_{DD} values.



CDC925
133-MHz CLOCK SYNTHESIZER/DRIVER FOR PC MOTHERBOARDS
WITH 3-STATE OUTPUTS

SCAS633 – JULY 28, 1999

electrical characteristics over recommended operating free-air temperature range (unless otherwise noted) (continued)

PCIx, PCI_F, 3V66x (Type 5)

PARAMETER		TEST CONDITIONS	MIN	TYP†	MAX	UNIT
V _{OH}	High-level output voltage	V _{DD} = min to max, I _{OH} = –1 mA	V _{DD} – 0.1 V			V
		V _{DD} = 3.135 V, I _{OH} = –18 mA	2.4			
V _{OL}	Low-level output voltage	V _{DD} = min to max, I _{OL} = 1 mA			0.1	V
		V _{DD} = 3.135 V, I _{OL} = 12 mA		0.15	0.4	
I _{OH}	High-level output current	V _{DD} = 3.135 V, V _O = 1 V	–33	–53		mA
		V _{DD} = 3.3 V, V _O = 1.65 V		–53		
		V _{DD} = 3.465 V, V _O = 3.135 V		–16	–33	
I _{OL}	Low-level output current	V _{DD} = 3.135 V, V _O = 1.95 V	30	67		mA
		V _{DD} = 3.3 V, V _O = 1.65 V		70		
		V _{DD} = 3.465 V, V _O = 0.4 V		27	49	
C _O	Output capacitance	V _{DD} = 3.3 V, V _O = V _{DD} or GND	4.5		7.5	pF
Z _O	Output impedance	High state V _O = 0.5 V _{DD} , V _O /I _{OH}	12	31	55	Ω
		Low state V _O = 0.5 V _{DD} , V _O /I _{OL}	12	24	55	

† All typical values are measured at their respective nominal V_{DD} values.

switching characteristics, V_{DD} = 3.135 V to 3.465 V, T_A = 0°C to 85°C

PARAMETER		TEST CONDITIONS	MIN	TYP	MAX	UNIT
Overshoot/undershoot			GND – 0.7 V		V _{DD} + 0.7 V	V
Ring back			V _{IL} – 0.1 V		V _{IH} + 0.1 V	V
Stabilization time, $\overline{\text{PWR_DWN}}$ to PCIx		f(CPU) = 133 MHz		0.05	3	ms
t _{dis3}	Disable time, $\overline{\text{PWR_DWN}}$ to PCIx	f(CPU) = 133 MHz		50		ns
Stabilization time, $\overline{\text{PWR_DWN}}$ to CPUx		f(CPU) = 133 MHz		0.03	3	ms
t _{dis4}	Disable time, $\overline{\text{PWR_DWN}}$ to CPUx	f(CPU) = 133 MHz		50		ns
Stabilization time†		After SEL1, SEL0			3	ms
		After power up			3	

† Stabilization time is the time required for the integrated PLL circuit to obtain phase lock of its feedback signal to its reference signal. In order for phase lock to be obtained, a fixed-frequency, fixed-phase reference signal must be present at XIN. Until phase lock is obtained, the specifications for propagation delay and skew parameters given in the switching characteristics tables are not applicable. Stabilization time is defined as the time from when V_{DD} achieves its nominal operating level until the output frequency is stable and operating within specification.



CDC925

133-MHz CLOCK SYNTHESIZER/DRIVER FOR PC MOTHERBOARDS

WITH 3-STATE OUTPUTS

SCAS633 – JULY 28, 1999

switching characteristics, $V_{DD} = 2.375\text{ V to }2.625\text{ V}$, $T_A = 0^\circ\text{C to }85^\circ\text{C}$ (continued)

CPUx

PARAMETER		FROM (INPUT)	TO (OUTPUT)	TEST CONDITIONS	MIN	TYP	MAX	UNIT	
t_{en1}	Output enable time	SEL133/ $\overline{100}$	CPUx	$f_{(CPU)} = 100$ or 133MHz		6	10	ns	
t_{dis1}	Output disable time	SEL133/ $\overline{100}$	CPUx	$f_{(CPU)} = 100$ or 133MHz		8	10	ns	
t_c	CPU clock period [†]			$f_{(CPU)} = 100$ MHz	10	10.04	10.2	ns	
				$f_{(CPU)} = 133$ MHz	7.5	7.53	7.7	ns	
Cycle to cycle jitter				$f_{(CPU)} = 100$ or 133MHz			250	ps	
Duty cycle				$f_{(CPU)} = 100$ or 133MHz	45			55	%
$t_{sk(o)}$	CPU bus skew	CPUx	CPUx	$f_{(CPU)} = 100$ or 133MHz			50	175	ps
$t_{sk(p)}$	CPU pulse skew	CPU _n	CPU _n	$f_{(CPU)} = 100$ or 133MHz			2.2	ns	
$t_{(off)}$	CPU clock to APIC clock offset, rising edge				1.5	2.8	4	ns	
$t_{(off)}$	CPU clock to 3V66 clock offset, rising edge				0	0.75	1.5	ns	
t_{w1}	Pulse duration width, high			$f_{(CPU)} = 100$ MHz	2.6	4.3	ns		
				$f_{(CPU)} = 133$ MHz	1.4	3.7			
t_{w2}	Pulse duration width, low			$f_{(CPU)} = 100$ MHz	2.8	4.3	ns		
				$f_{(CPU)} = 133$ MHz	1.7	4			
t_r	Rise time			$V_O = 0.4\text{ V to }2.0\text{ V}$	0.4	1.5	2.2	ns	
t_f	Fall time			$V_O = 0.4\text{ V to }2.0\text{ V}$	0.4	1.4	2	ns	

[†] The average over any 1- μ s period of time is greater than the minimum specified period.

CPU_DIV2x

PARAMETER		FROM (INPUT)	TO (OUTPUT)	TEST CONDITIONS	MIN	TYP	MAX	UNIT	
t_{en1}	Output enable time	SEL133/ $\overline{100}$	CPU_DIV2x	$f_{(CPU)} = 100$ or 133MHz		6	10	ns	
t_{dis1}	Output disable time	SEL133/ $\overline{100}$	CPU_DIV2x	$f_{(CPU)} = 100$ or 133MHz		8	10	ns	
t_c	CPU_DIV2 clock period [†]			$f_{(CPU)} = 100$ MHz	20	20.08	20.4	ns	
				$f_{(CPU)} = 133$ MHz	15	15.06	15.3	ns	
Cycle to cycle jitter				$f_{(CPU)} = 100$ or 133MHz			250	ps	
Duty cycle				$f_{(CPU)} = 100$ or 133MHz	45			55	%
$t_{sk(o)}$	CPU_DIV2 bus skew	CPU_DIV2x	CPU_DIV2x	$f_{(CPU)} = 100$ or 133MHz			50	175	ps
$t_{sk(p)}$	CPU_DIV2 pulse skew	CPU_DIV2n	CPU_DIV2n	$f_{(CPU)} = 100$ or 133MHz			1.6	ns	
t_{w1}	Pulse duration width, high			$f_{(CPU)} = 100$ MHz	7.1	ns			
				$f_{(CPU)} = 133$ MHz	4.7				
t_{w2}	Pulse duration width, low			$f_{(CPU)} = 100$ MHz	7.3	8.9	ns		
				$f_{(CPU)} = 133$ MHz	5	6.6			
t_r	Rise time			$V_O = 0.4\text{ V to }2.0\text{ V}$	0.4	1.4	2	ns	
t_f	Fall time			$V_O = 0.4\text{ V to }2.0\text{ V}$	0.4	1.3	1.8	ns	

[†] The average over any 1- μ s period of time is greater than the minimum specified period.



CDC925
133-MHz CLOCK SYNTHESIZER/DRIVER FOR PC MOTHERBOARDS
WITH 3-STATE OUTPUTS

SCAS633 – JULY 28, 1999

switching characteristics, $V_{DD} = 2.375\text{ V to }2.625\text{ V}$, $T_A = 0^\circ\text{C to }85^\circ\text{C}$ (continued)

APIC

PARAMETER	FROM (INPUT)	TO (OUTPUT)	TEST CONDITIONS	MIN	TYP	MAX	UNIT
t_{en1}	Output enable time	SEL133/100	APICx	$f_{(APIC)} = 16.67\text{ MHz}$		6 10	ns
t_{dis1}	Output disable time	SEL133/100	APICx	$f_{(APIC)} = 16.67\text{ MHz}$		8 10	ns
t_c	APIC clock period [†]			$f_{(APIC)} = 16.67\text{ MHz}$		60 60.24 60.6	ns
	Cycle to cycle jitter			$f_{(CPU)} = 100\text{ or }133\text{ MHz}$		400	ps
	Duty cycle			$f_{(APIC)} = 16.67\text{ MHz}$		45 55	%
$t_{sk(o)}$	APIC bus skew	APICx	APICx	$f_{(APIC)} = 16.67\text{ MHz}$		30 100	ps
$t_{sk(p)}$	APIC pulse skew	APICn	APICn	$f_{(APIC)} = 16.67\text{ MHz}$		3	ns
$t_{(off)}$	APIC clock to CPU clock offset, rising edge	APICx	CPUx			-1.5 -4	ns
t_{w1}	Pulse duration width, high			$f_{(APIC)} = 16.67\text{ MHz}$		25.5 28	ns
t_{w2}	Pulse duration width, low			$f_{(APIC)} = 16.67\text{ MHz}$		25.3 29.2	ns
t_r	Rise time			$V_O = 0.4\text{ V to }2\text{ V}$		0.4 1.6 2.1	ns
t_f	Fall time			$V_O = 0.4\text{ V to }2\text{ V}$		0.4 1.2 1.7	ns

[†] The average over any 1- μs period of time is greater than the minimum specified period.

switching characteristics, $V_{DD} = 3.135\text{ V to }3.465\text{ V}$, $T_A = 0^\circ\text{C to }85^\circ\text{C}$

3V66

PARAMETER	FROM (INPUT)	TO (OUTPUT)	TEST CONDITIONS	MIN	TYP	MAX	UNIT
t_{en1}	Output enable time	SEL133/100	3V66x	$f_{(3V66)} = 66\text{ MHz}$		6 10	ns
t_{dis1}	Output disable time	SEL133/100	3V66x	$f_{(3V66)} = 66\text{ MHz}$		8 10	ns
t_c	3V66 clock period [†]			$f_{(3V66)} = 66\text{ MHz}$		15 15.06 15.3	ns
	Cycle to cycle jitter			$f_{(CPU)} = 100\text{ or }133\text{ MHz}$		400	ps
	Duty cycle			$f_{(3V66)} = 66\text{ MHz}$		45 55	%
$t_{sk(o)}$	3V66 bus skew	3V66x	3V66x	$f_{(3V66)} = 66\text{ MHz}$		50 150	ps
$t_{sk(p)}$	3V66 pulse skew	3V66n	3V66n	$f_{(3V66)} = 66\text{ MHz}$		2.6	ns
$t_{(off)}$	3V66 clock to CPU clock offset	3V66x	CPUx			0 -0.75 -1.5	ns
$t_{(off)}$	3V66 clock to PCI clock offset, rising edge					1.2 2.1 3	ns
t_{w1}	Pulse duration width, high			$f_{(3V66)} = 66\text{ MHz}$		5.2	ns
t_{w2}	Pulse duration width, low			$f_{(3V66)} = 66\text{ MHz}$		5	ns
t_r	Rise time			$V_O = 0.4\text{ V to }2\text{ V}$		0.5 1.5 2	ns
t_f	Fall time			$V_O = 0.4\text{ V to }2\text{ V}$		0.5 1.5 2	ns

[†] The average over any 1- μs period of time is greater than the minimum specified period.



CDC925
133-MHz CLOCK SYNTHESIZER/DRIVER FOR PC MOTHERBOARDS
WITH 3-STATE OUTPUTS

SCAS633 – JULY 28, 1999

switching characteristics, $V_{DD} = 3.135\text{ V to }3.465\text{ V}$, $T_A = 0^\circ\text{C to }85^\circ\text{C}$ (continued)

48MHz

PARAMETER	FROM (INPUT)	TO (OUTPUT)	TEST CONDITIONS	MIN	TYP	MAX	UNIT
t_{en1}	Output enable time	SEL133/100	48MHz	6		10	ns
t_{dis1}	Output disable time	SEL133/100	48MHz	8		10	ns
t_c	48MHz clock period†		$f_{(48MHz)} = 48\text{ MHz}$	20.5	20.83	21.1	ns
	Cycle to cycle jitter		$f_{(CPU)} = 100\text{ or }133\text{ MHz}$			500	ps
	Duty cycle		$f_{(48MHz)} = 48\text{ MHz}$	45			%
$t_{sk(p)}$	48MHz pulse skew	48MHz	48MHz			3	ns
t_{w1}	Pulse duration width, high		$f_{(48MHz)} = 48\text{ MHz}$	7.8			ns
t_{w2}	Pulse duration width, low		$f_{(48MHz)} = 48\text{ MHz}$	7.8			ns
t_r	Rise time		$V_O = 0.4\text{ V to }2\text{ V}$	1	2.1	2.8	ns
t_f	Fall time		$V_O = 0.4\text{ V to }2\text{ V}$	1	1.9	2.8	ns

† The average over any 1- μs period of time is greater than the minimum specified period.

REF

PARAMETER	FROM (INPUT)	TO (OUTPUT)	TEST CONDITIONS	MIN	TYP	MAX	UNIT
t_{en1}	Output enable time	SEL133/100	REFx	6		10	ns
t_{dis1}	Output disable time	SEL133/100	REFx	8		10	ns
t_c	REF clock period†		$f_{(REF)} = 14.318\text{ MHz}$	69.84			ns
	Cycle to cycle jitter		$f_{(CPU)} = 100\text{ or }133\text{ MHz}$			700	ps
	Duty cycle		$f_{(REF)} = 14.318\text{ MHz}$	45			%
$t_{sk(o)}$	REF bus skew	REFx	REFx	150		250	ps
$t_{sk(p)}$	REF pulse skew	REFn	REFn			2	ns
t_{w1}	Pulse duration width, high		$f_{(REF)} = 14.318\text{ MHz}$	26.2	32.7		ns
t_{w2}	Pulse duration width, low		$f_{(REF)} = 14.318\text{ MHz}$	26.2	31.2		ns
t_r	Rise time		$V_O = 0.4\text{ V to }2\text{ V}$	1	2	2.8	ns
t_f	Fall time		$V_O = 0.4\text{ V to }2\text{ V}$	1	1.9	2.8	ns

† The average over any 1- μs period of time is greater than the minimum specified period.



CDC925
**133-MHz CLOCK SYNTHESIZER/DRIVER FOR PC MOTHERBOARDS
 WITH 3-STATE OUTPUTS**

SCAS633 – JULY 28, 1999

switching characteristics, $V_{DD} = 3.135\text{ V to }3.465\text{ V}$, $T_A = 0^\circ\text{C to }85^\circ\text{C}$ (continued)

PCI, PCI_F

PARAMETER	FROM (INPUT)	TO (OUTPUT)	TEST CONDITIONS	MIN	TYP	MAX	UNIT
t_{en1}	Output enable time	SEL133/100	PCIx	$f_{(PCI)} = 33\text{ MHz}$		6 10	ns
t_{dis1}	Output disable time	SEL133/100	PCIx	$f_{(PCI)} = 33\text{ MHz}$		8 10	ns
t_c	PCIx clock period [†]			$f_{(PCI)} = 33\text{ MHz}$		30 30.12 30.5	ns
	Cycle to cycle jitter			$f_{(CPU)} = 100\text{ or }133\text{ MHz}$		300	ps
	Duty cycle			$f_{(PCI)} = 33\text{ MHz}$		45 55	%
$t_{sk(o)}$	PCIx bus skew	PCIx	PCIx	$f_{(PCI)} = 33\text{ MHz}$		70 300	ps
$t_{sk(p)}$	PCIx pulse skew	PCIn	PCIn	$f_{(PCI)} = 33\text{ MHz}$		4	ns
$t_{(off)}$	PCIx clock to 3V66 clock offset			-1.2		-3	ns
t_{w1}	Pulse duration width, high			$f_{(PCI)} = 33\text{ MHz}$		12	ns
t_{w2}	Pulse duration width, low			$f_{(PCI)} = 33\text{ MHz}$		12	ns
t_r	Rise time			$V_O = 0.4\text{ V to }2\text{ V}$		0.5 1.6 2	ns
t_f	Fall time			$V_O = 0.4\text{ V to }2\text{ V}$		0.5 1.5 2	ns

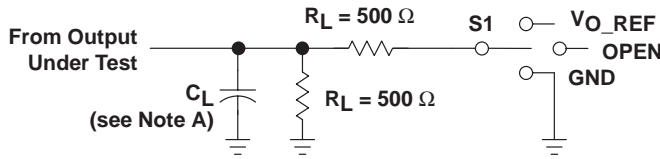
[†] The average over any 1- μs period of time is greater than the minimum specified period.



CDC925
133-MHz CLOCK SYNTHESIZER/DRIVER FOR PC MOTHERBOARDS
WITH 3-STATE OUTPUTS

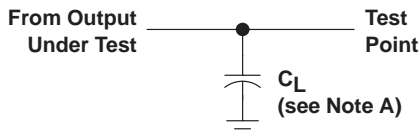
SCAS633 – JULY 28, 1999

PARAMETER MEASUREMENT INFORMATION

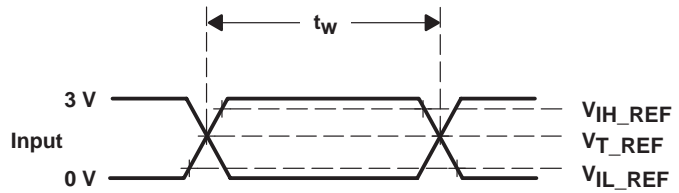


TEST	S1
tPLH/tPHL	Open
tPLZ/tPZL	VO_REF
tPHZ/tPZH	GND

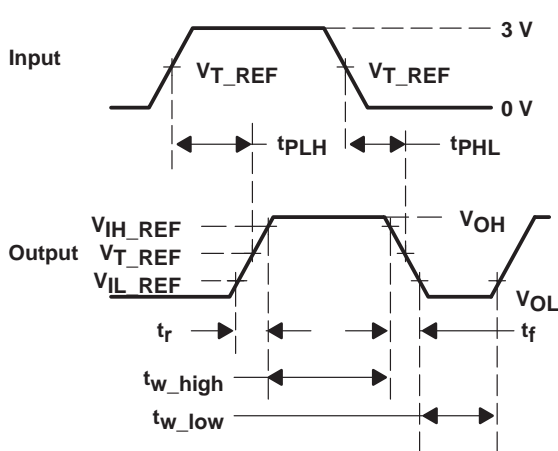
LOAD CIRCUIT for t_{pd} and t_{sk}



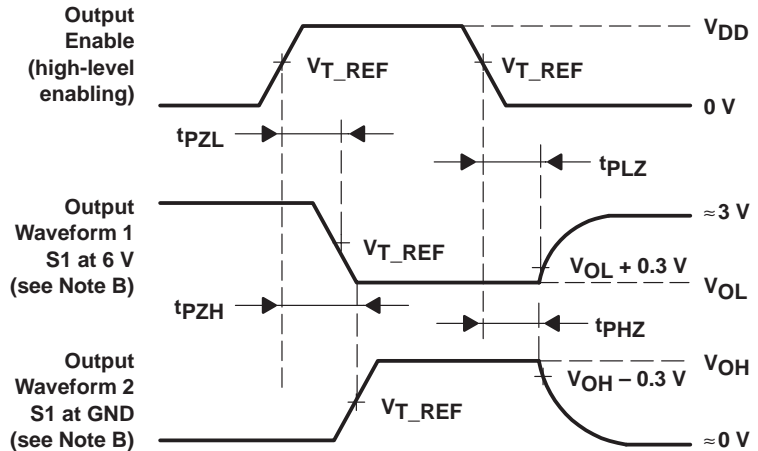
LOAD CIRCUIT FOR t_r and t_f



VOLTAGE WAVEFORMS



VOLTAGE WAVEFORMS



VOLTAGE WAVEFORMS

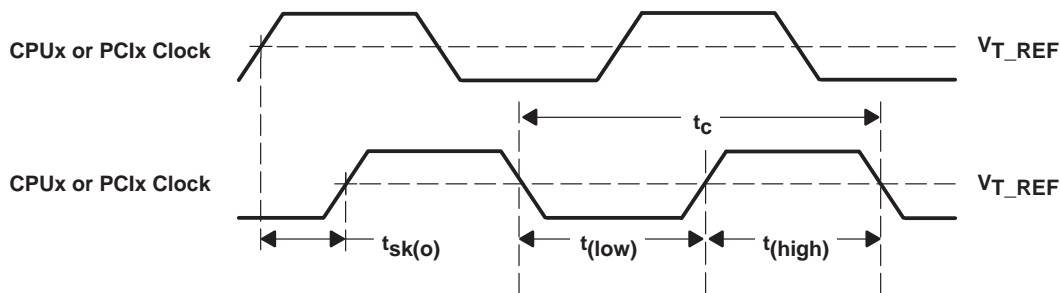
- NOTES: A. C_L includes probe and jig capacitance. C_L = 20 pF (CPUx, APICx, 48MHz, REF), C_L = 30 pF (PCiX, 3V66)
 B. Waveform 1 is for an output with internal conditions such that the output is low except when disabled by the output control. Waveform 2 is for an output with internal conditions such that the output is high except when disabled by the output control.
 C. All input pulses are supplied by generators having the following characteristics: PRR ≤ 14.318 MHz, Z_O = 50 Ω, t_r ≤ 2.5 ns, t_f ≤ 2.5 ns.
 D. The outputs are measured one at a time with one transition per measurement.

PARAMETER		3.3-V INTERFACE	2.5-V INTERFACE	UNIT
VIH_REF	High-level reference voltage	2.4	2	V
VIL_REF	Low-level reference voltage	0.4	0.4	V
VT_REF	Input Threshold reference voltage	1.5	1.25	V
VO_REF	Off-state reference voltage	6	4.6	V

Figure 3. Load Circuit and Voltage Waveforms



PARAMETER MEASUREMENT INFORMATION



$$t_{sk(p)} = |t_{PLH} - t_{PHL}|$$

$$\text{Duty Cycle} = \frac{t_{(low \text{ or } high)}}{t_c} \times 100$$

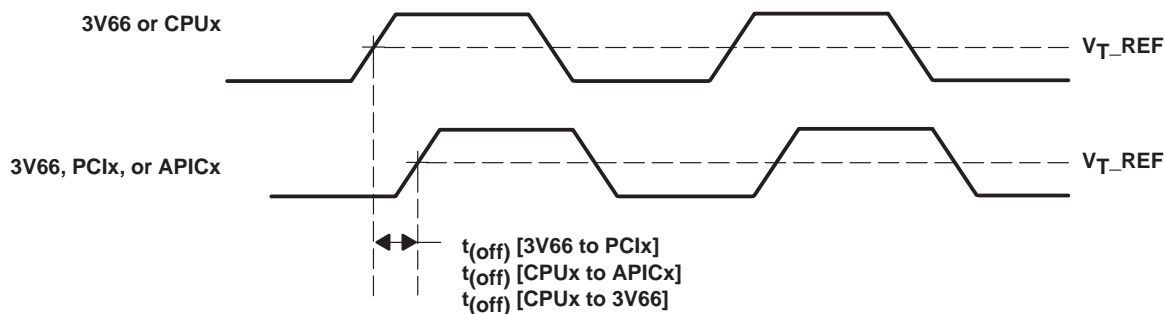


Figure 4. Waveforms for Calculation of Skew, Offset, and Jitter

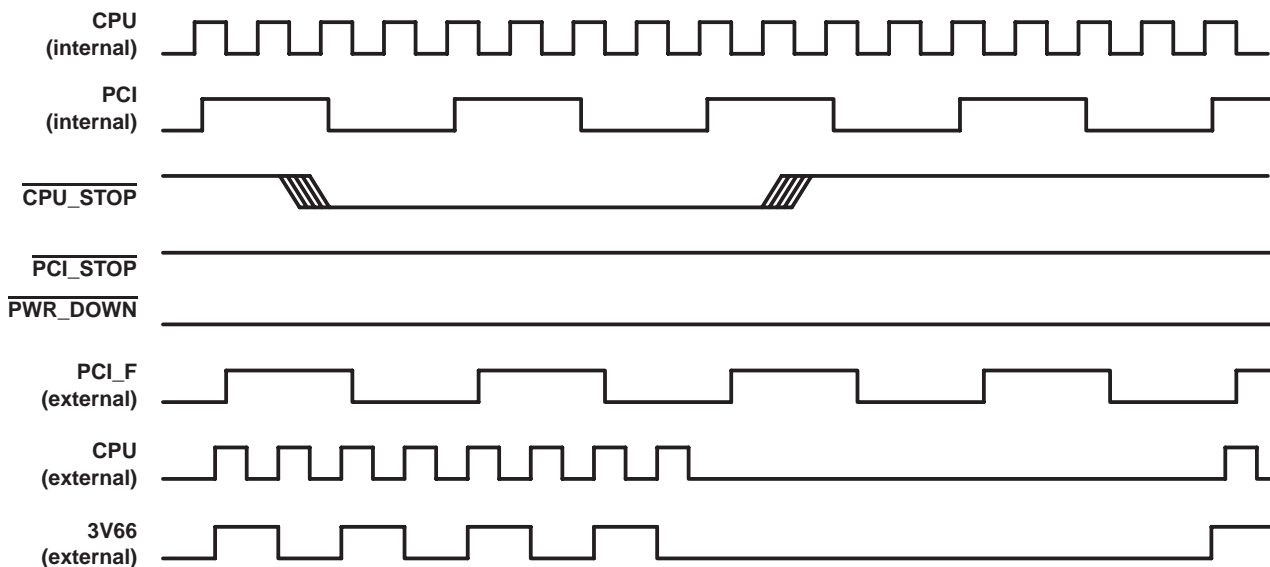


Figure 5. CPU_STOP Timing

CDC925
133-MHz CLOCK SYNTHESIZER/DRIVER FOR PC MOTHERBOARDS
WITH 3-STATE OUTPUTS

SCAS633 – JULY 28, 1999

PARAMETER MEASUREMENT INFORMATION

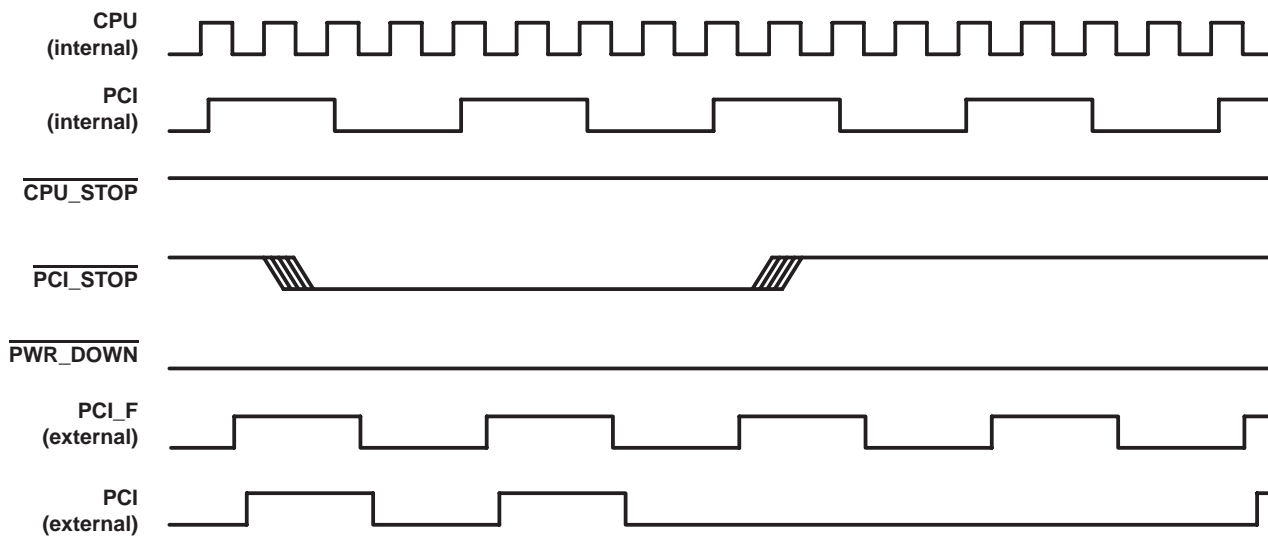
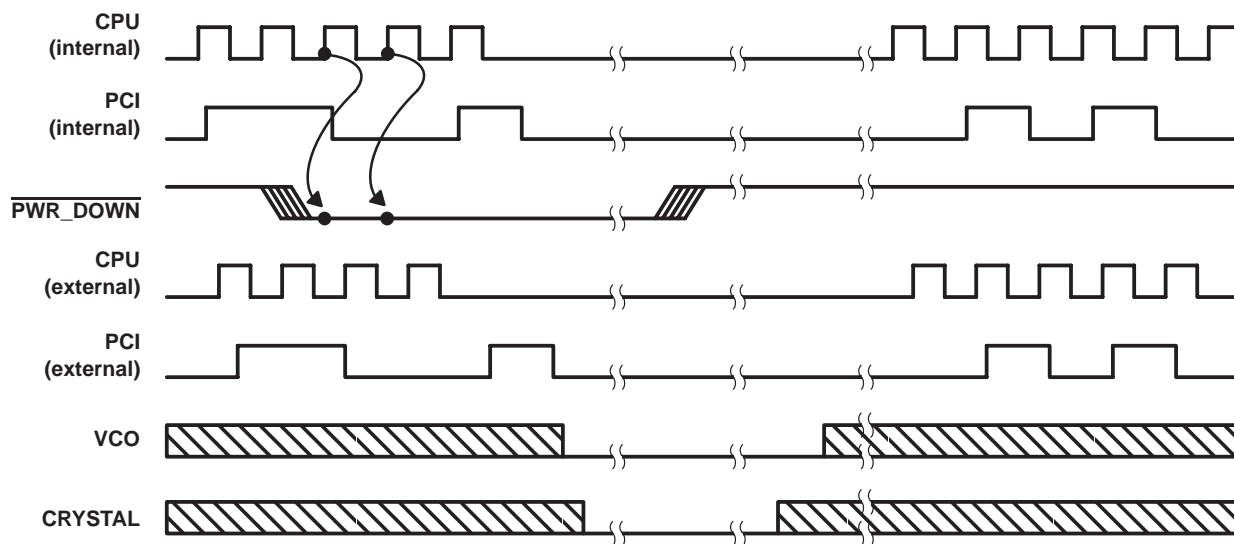


Figure 6. PCI_STOP Timing



NOTE A: Shaded sections on the VCO and Crystal waveforms indicate that the VCO and crystal oscillators are active and there is a valid clock.

Figure 7. Power-Down Timing

CDC925 133-MHz CLOCK SYNTHESIZER/DRIVER FOR PC MOTHERBOARDS WITH 3-STATE OUTPUTS

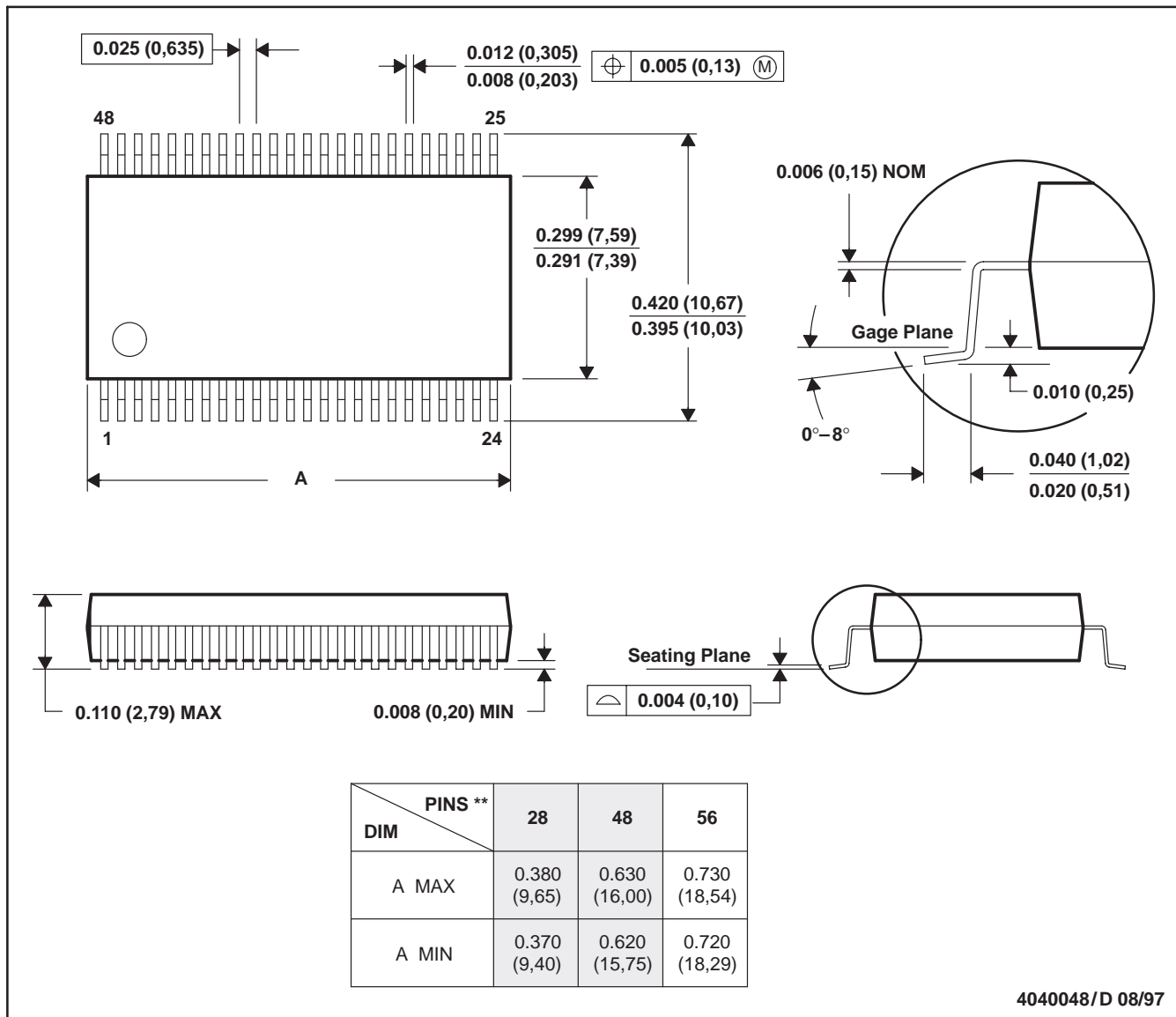
SCAS633 – JULY 28, 1999

MECHANICAL DATA

DL (R-PDSO-G**)

PLASTIC SMALL-OUTLINE PACKAGE

48-PIN SHOWN



- NOTES: B. All linear dimensions are in inches (millimeters).
 C. This drawing is subject to change without notice.
 D. Body dimensions do not include mold flash or protrusion not to exceed 0.006 (0,15).
 E. Falls within JEDEC MO-118

IMPORTANT NOTICE

Texas Instruments and its subsidiaries (TI) reserve the right to make changes to their products or to discontinue any product or service without notice, and advise customers to obtain the latest version of relevant information to verify, before placing orders, that information being relied on is current and complete. All products are sold subject to the terms and conditions of sale supplied at the time of order acknowledgement, including those pertaining to warranty, patent infringement, and limitation of liability.

TI warrants performance of its semiconductor products to the specifications applicable at the time of sale in accordance with TI's standard warranty. Testing and other quality control techniques are utilized to the extent TI deems necessary to support this warranty. Specific testing of all parameters of each device is not necessarily performed, except those mandated by government requirements.

CERTAIN APPLICATIONS USING SEMICONDUCTOR PRODUCTS MAY INVOLVE POTENTIAL RISKS OF DEATH, PERSONAL INJURY, OR SEVERE PROPERTY OR ENVIRONMENTAL DAMAGE ("CRITICAL APPLICATIONS"). TI SEMICONDUCTOR PRODUCTS ARE NOT DESIGNED, AUTHORIZED, OR WARRANTED TO BE SUITABLE FOR USE IN LIFE-SUPPORT DEVICES OR SYSTEMS OR OTHER CRITICAL APPLICATIONS. INCLUSION OF TI PRODUCTS IN SUCH APPLICATIONS IS UNDERSTOOD TO BE FULLY AT THE CUSTOMER'S RISK.

In order to minimize risks associated with the customer's applications, adequate design and operating safeguards must be provided by the customer to minimize inherent or procedural hazards.

TI assumes no liability for applications assistance or customer product design. TI does not warrant or represent that any license, either express or implied, is granted under any patent right, copyright, mask work right, or other intellectual property right of TI covering or relating to any combination, machine, or process in which such semiconductor products or services might be or are used. TI's publication of information regarding any third party's products or services does not constitute TI's approval, warranty or endorsement thereof.