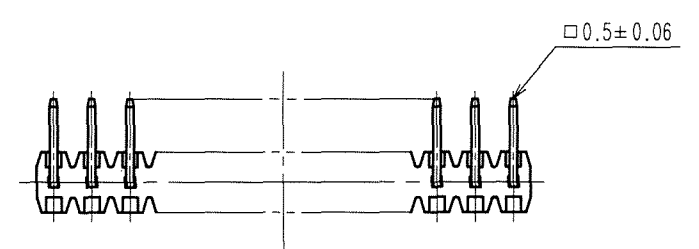
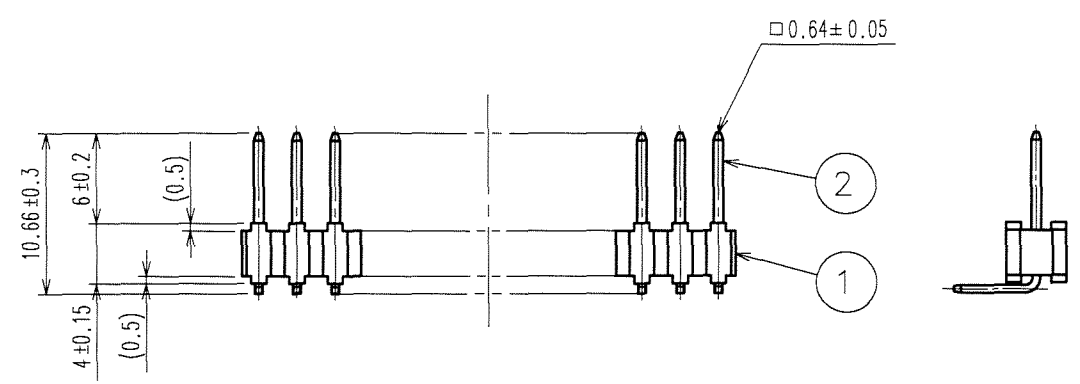
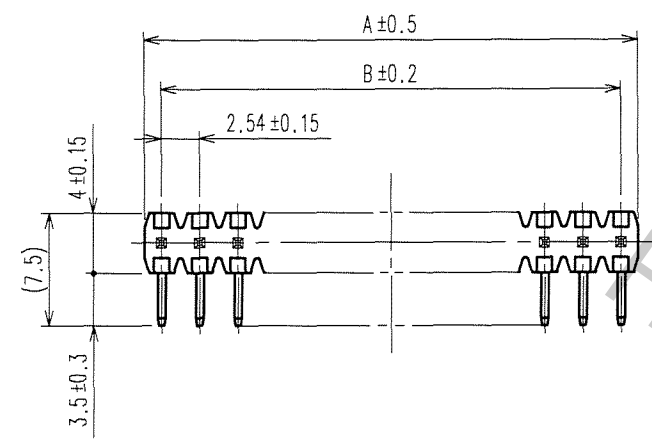
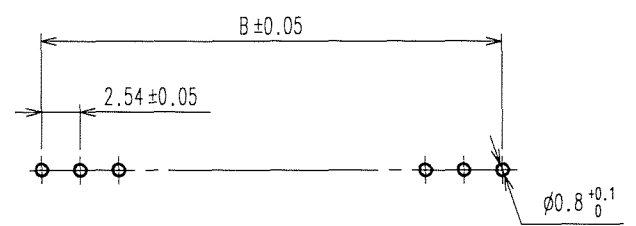


Apr.1.2017 Copyright 2017 HIROSE ELECTRIC CO., LTD. All Rights Reserved.

COUNT	DESCRIPTION OF REVISIONS	BY	CHKD	DATE	COUNT	DESCRIPTION OF REVISIONS	BY	CHKD	DATE
△					△				
△					△				
△					△				

RECOMMENDED PC BOARD HOLE PATTERN



PART No.	CODE No.	NUMBER OF PIN	A	B
A2- 1PA-2.54DS(71)	CL620-0001-7-71	1	2.24	—
A2- 2PA-2.54DS(71)	CL620-0002-0-71	2	4.78	2.54
A2- 3PA-2.54DS(71)	CL620-0003-2-71	3	7.32	5.08
A2- 4PA-2.54DS(71)	CL620-0004-5-71	4	9.86	7.62
A2- 5PA-2.54DS(71)	CL620-0005-8-71	5	12.40	10.16
A2- 6PA-2.54DS(71)	CL620-0006-0-71	6	14.94	12.70
A2- 7PA-2.54DS(71)	CL620-0007-3-71	7	17.48	15.24
A2- 8PA-2.54DS(71)	CL620-0008-6-71	8	20.02	17.78
A2- 9PA-2.54DS(71)	CL620-0009-9-71	9	22.56	20.32
A2-10PA-2.54DS(71)	CL620-0010-8-71	10	25.10	22.86
A2-11PA-2.54DS(71)	CL620-0011-0-71	11	27.64	25.40
A2-12PA-2.54DS(71)	CL620-0012-3-71	12	30.18	27.94
A2-13PA-2.54DS(71)	CL620-0013-6-71	13	32.72	30.48
A2-14PA-2.54DS(71)	CL620-0014-9-71	14	35.26	33.02
A2-15PA-2.54DS(71)	CL620-0015-1-71	15	37.80	35.56
A2-16PA-2.54DS(71)	CL620-0016-4-71	16	40.34	38.10
A2-17PA-2.54DS(71)	CL620-0017-7-71	17	42.88	40.64
A2-18PA-2.54DS(71)	CL620-0018-0-71	18	45.42	43.18
A2-19PA-2.54DS(71)	CL620-0019-2-71	19	47.96	45.72
A2-20PA-2.54DS(71)	CL620-0020-1-71	20	50.50	48.26

NOTE 1 THE DIMENSIONS IN PARENTHESES ARE FOR REFERENCE.

1	PBT	BLACK	UL94V-0	2	BRASS	CONTACT AREA:GOLD 0.2μ m min. DIP AREA:TIN-PLATING 2μ m min. UNDER PLATING:NICKEL 2.5μ m min.			
NO.	MATERIAL	FINISH, REMARKS		NO.	MATERIAL	FINISH, REMARKS			
CODE NO.(OLD) CL				DRAWN	DESIGNED	CHECKED	APPROVED	RELEASED	
				A.SUZUKAWA 06.04.11	<i>A. Nakamura</i> 06.04.11	<i>K. Ogawa</i> 06.04.12	<i>H. Okawa</i> 06.04.12		
DRAWING NO. EDC3-084168-21				PART NO. A2-***PA-2.54DS(71)					
SCALE 2 : 1				UNITS mm		HIROSE ELECTRIC CO., LTD		CODE NO. CL620	
								1/1	

TO