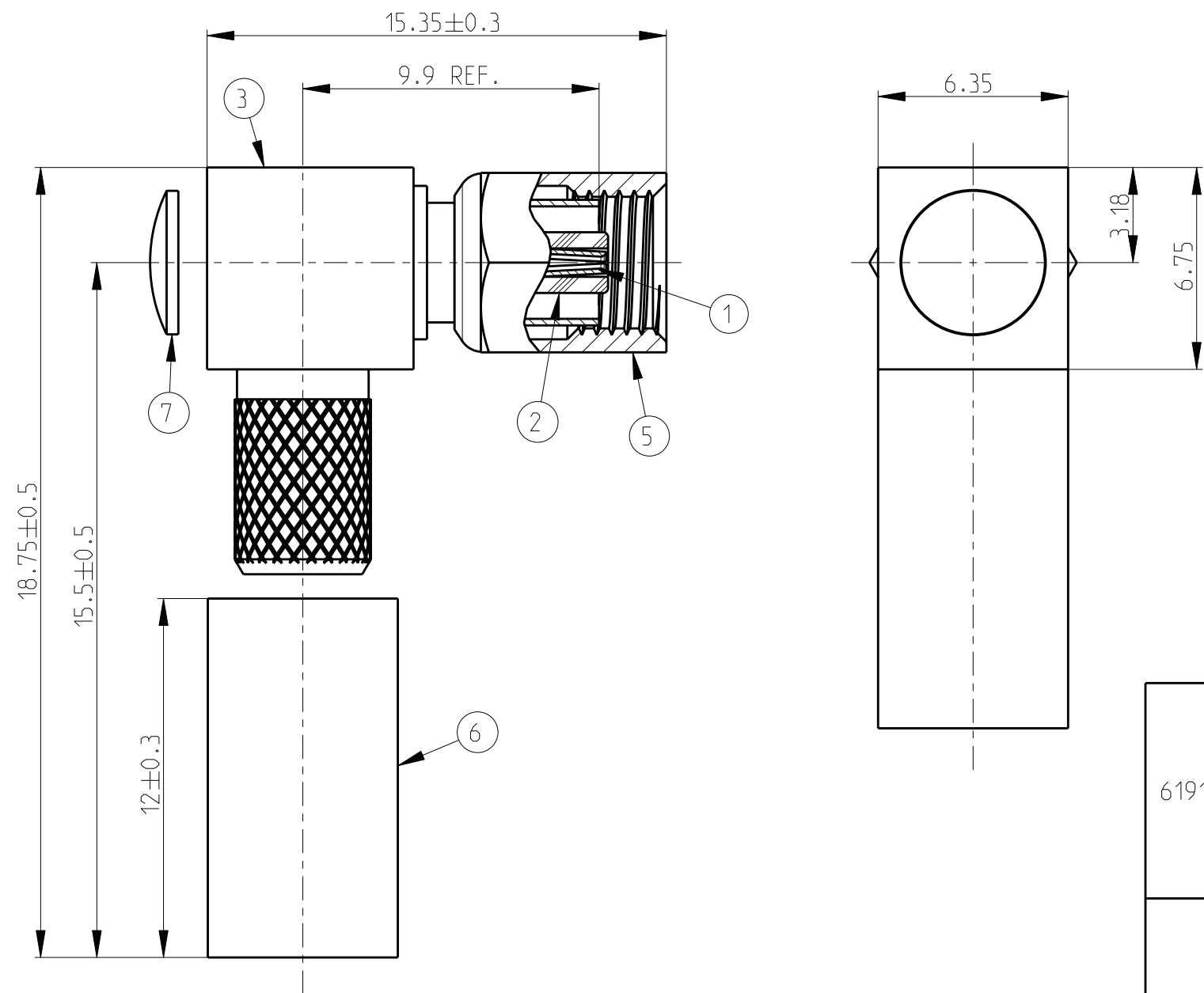


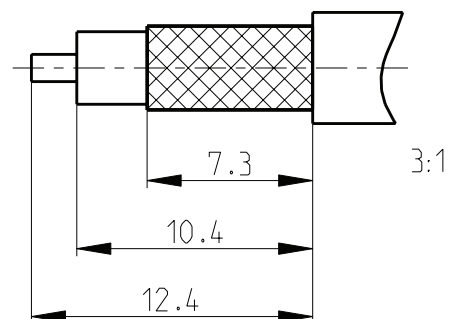
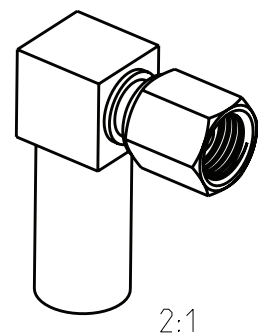
LOC	DIST	REVISIONS				
P	LTR	DESCRIPTION	DATE	DWN	APVD	
IS	-	52	Mod. geometry and cent. contact material	15FEB06	AN	DB
		A	Released to production	30OCT06	AN	DB
		A1	ECR-06-026085 (added prod spec. number)	06NOV06	AN	DB
		B	ECR-07-006468 (one piece body, updated plating)	20MAR07	AN	DB



- 1) Interface according to CECC 22140, IEC 169-9.
- 2) General tolerances acc. to ISO 2768-mH.
- 3) Bulk packaging.
- 4) Hand crimp tool for ferrule (pos. 6)
PN 734320-1 (HEX 5.41)
- 5) Cable type: LEONI L45466-B14-C25

Part Nr	Item	Description	Material	Plating	Qty
619148-2	7	Cap	Brass	min. 0.1µm Au over min. 2µm NiP	1
	6	Ferrule	Copper/Brass	min. 0.1µm Au over min. 2µm Ni	1
	5	Coupling nut	Part Nr	min. 0.1µm Au over min. 2µm NiP	1
	3	Crimpend	Brass	min. 0.1µm Au over min. 2µm NiP	1
	2	Dielectric	Brass	None	1
	1	Center conductor	Bronze (Bz4)	min. 0.1µm Au over min. 2µm NiP	1
619148-1	7	Cap	Brass	min. 0.1µm Au over min. 2µm NiP	1
	6	Ferrule	Copper/Brass	min. 0.1µm Au over min. 2µm Ni	1
	5	Coupling nut	Brass	min. 0.2µm Au over min. 2µm NiP	1
	4	Housing	Brass	min. 0.8µm Au over min. 2µm NiP	1
	3	Crimpend	Brass	min. 0.2µm Au over min. 2µm NiP	1
	2	Dielectric	PTFE	None	1
	1	Center conductor	Bronze (Bz4)	min. 1.3µm Au over min. 2µm NiP	1

STRIPPING DIMENSIONS



<small>THIS DRAWING IS A CONTROLLED DOCUMENT FOR TYCO ELECTRONICS CORPORATION IT IS SUBJECT TO CHANGE AND THE CONTROLLING ENGINEERING ORGANIZATION SHOULD BE CONTACTED FOR THE LATEST REVISION.</small>		DWN 15JAN2002 O. Gendre CHK 15JAN2002 S. Kempter APVD - PRODUCT SPEC 108-71073 APPLICATION SPEC - WEIGHT - CUSTOMER DRAWING	tyco Electronics Tyco Electronics CH - Switzerland - Lugano NAME SMC Plug 90° Cable crimp SIZE A3 CAGE CODE 00779 DRAWING NO. C-619148 RESTRICTED TO - SCALE 5:1 SHEET 1 OF 1 REV B
DIMENSIONS: mm 	TOLERANCES UNLESS OTHERWISE SPECIFIED: 0 PLC ± 1 PLC ± 2 PLC ± 3 PLC ± 4 PLC ± ANGLES ±5° FINISH see table	MATERIAL see table	