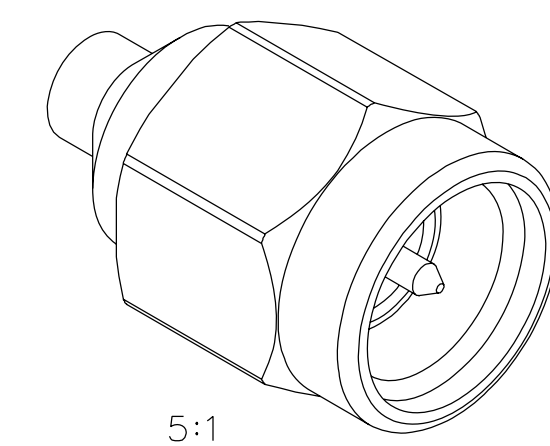
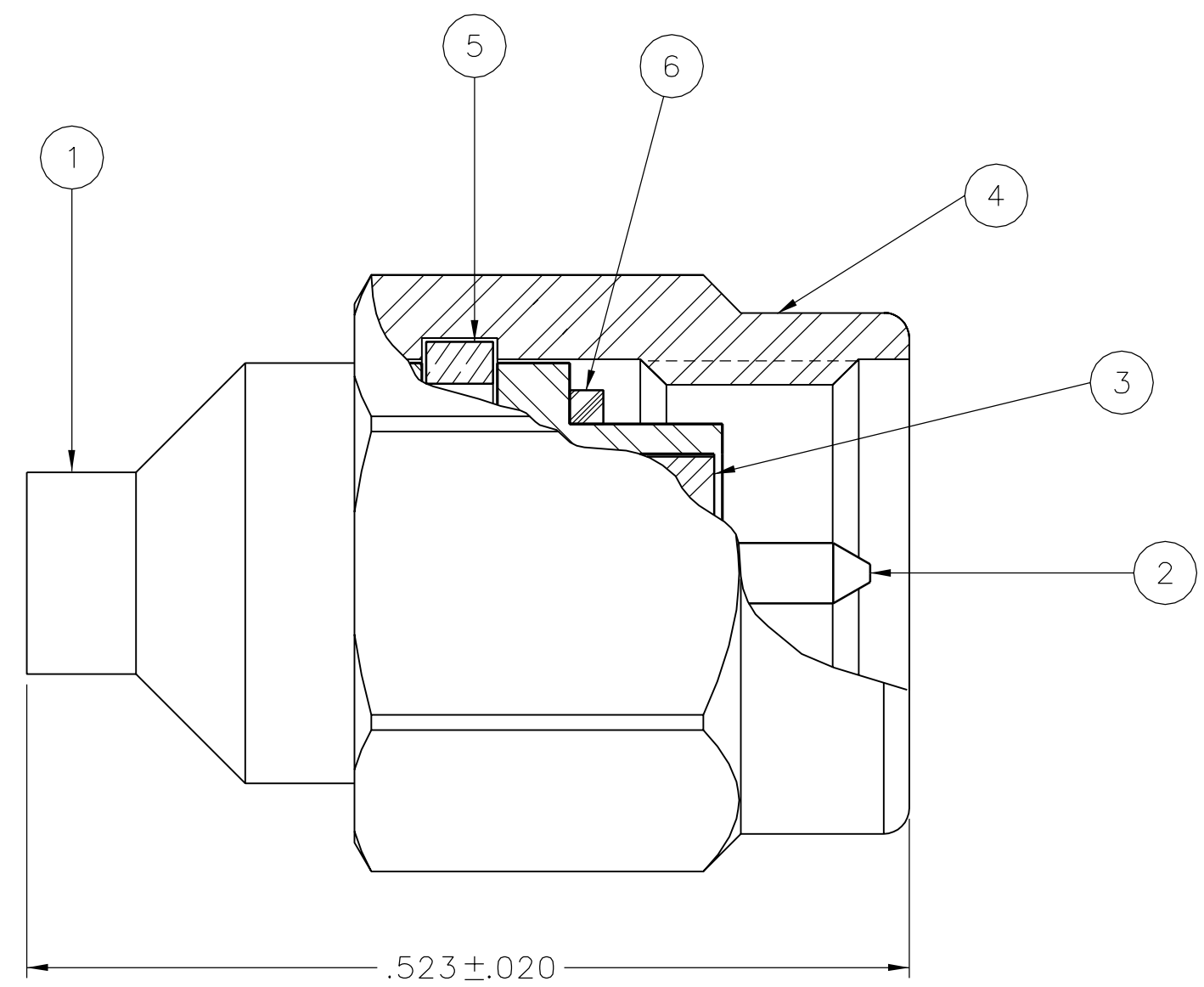
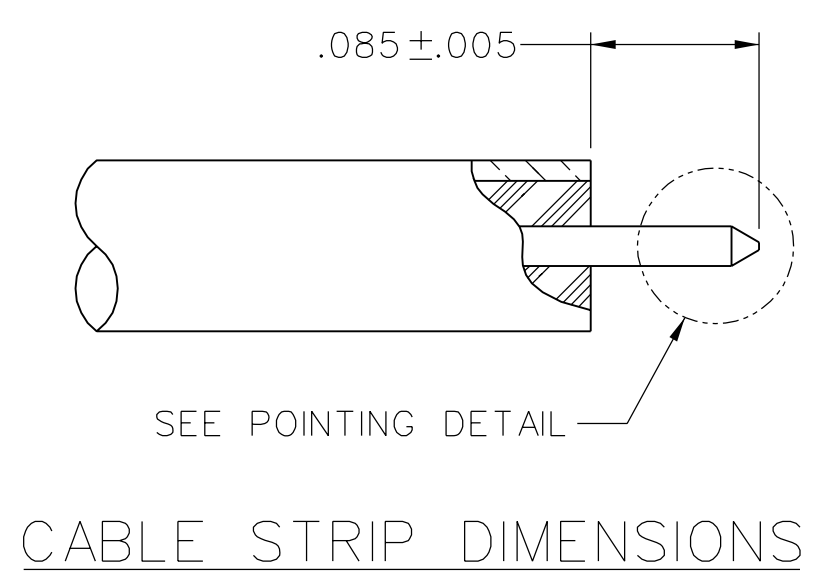


PART NUMBER	ITEM ① BODY	ITEM ② CONTACT	ITEM ③ INSULATOR	ITEM ④ COUPLING NUT	ITEM ⑤ RETENTION SPRING	ITEM ⑥ GASKET
141-0693-061	STAINLESS STEEL GOLD PL .00001 MIN OVER NICKEL PL .00005 MIN OVER	BERYLLIUM COPPER GOLD PL .00005 MIN OVER NICKEL PL .00005 MIN OVER COPPER PL .00005 MIN	TEFLON	STAINLESS STEEL GOLD PL .00001 MIN OVER NICKEL PL .00005 MIN OVER	BERYLLIUM COPPER UNPLATED	SILICONE RUBBER
141-0693-062	STAINLESS STEEL GOLD PL .00001 MIN OVER NICKEL PL .00005 MIN OVER	BERYLLIUM COPPER GOLD PL .00005 MIN OVER NICKEL PL .00005 MIN OVER COPPER PL .00005 MIN	TEFLON	STAINLESS STEEL PASSIVATED	BERYLLIUM COPPER UNPLATED	SILICONE RUBBER



DRAWING NO.
C - 141-0693-061/070

0	REVISIONS					
ENGINEERING RELEASE						
1	12-15-05	P A T	S B D	P D W	5-12-06 ECN 50064	
VERSION UPDATE						
***** * REVISION NUMBER FOLLOWED BY AN ALPHA * * CHARACTER INDICATES DRAWING CLARIFI- * * CATION OR PART NUMBER ADDITION ONLY. * *****						
1a	5-26-06	P A T	S B D	P D W	6-20-06 ECN 50467	
UPDATED VIEWS						
2	10-23-08	P A T	R J B	R T M	J U N	10-27-08 ECN 51683



NOTES:

1. SPECIFICATIONS:

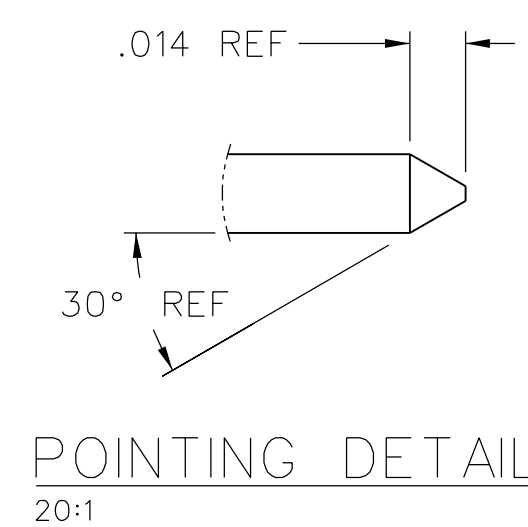
IMPEDANCE: 50 OHMS
 FREQUENCY RANGE: 0-26.5 GHZ
 VSWR: 1.07+.01F(GHz) MAX AT 0-18 GHZ
 WORKING VOLTAGE: 335 VRMS MAX AT SEA LEVEL
 DIELECTRIC WITHSTANDING VOLTAGE: 1000 VRMS MIN AT SEA LEVEL
 INSULATION RESISTANCE: 5000 MEGOHM MIN
 CONTACT RESISTANCE:
 CENTER CONTACT - INITIAL 3.0 MILLIOHM MAX, AFTER ENVIRONMENTAL 5.0 MILLIOHM MAX
 OUTER CONDUCTOR - INITIAL 0.5 MILLIOHM MAX, AFTER ENVIRONMENTAL NOT APPLICABLE
 BODY TO CABLE - 0.5 MILLIOHM MAX
 CORONA LEVEL: 250 VOLTS MIN AT 70,000 FEET
 INSERTION LOSS: .03√F (F IN GHZ), TESTED AT 10 GHZ
 RF LEAKAGE: -90 DB MIN AT 2 TO 3 GHZ
 RF HIGH POTENTIAL WITHSTANDING VOLTAGE: 670 VRMS AT 4 AND 7 MHZ

MECHANICAL:

ENGAGE/DISENGAGE TORQUE: 2 IN-LBS MAX
 MATING TORQUE: 7-10 IN-LBS
 COUPLING PROOF TORQUE: 15 IN-LBSS MIN
 COUPLING NUT RETENTION: 60 LBS MIN
 CONTACT RETENTION: 6 LBS MIN AXIAL FORCE
 CABLE ACCEPTABILITY: RG 405, .086 OD SEMIRIGID
 CABLE HEX CRIMP SIZE: NOT APPLICABLE
 CABLE RETENTION: 30 LBS MIN AXIAL FORCE
 16 IN-OUNCE MIN TORQUE
 DURABILITY: 500 CYCLES MIN

ENVIRONMENTAL:

(MEETS OR EXCEEDS THE APPLICABLE PARAGRAPH OF MIL-PRF-39012)
 THERMAL SHOCK: MIL-STD-202, METHOD 107, CONDITION B, EXCEPT 115°C HIGH TEMP
 OPERATING TEMPERATURE: -65°C TO 165°C
 CORROSION: MIL-STD-202, METHOD 101, CONDITION B
 SHOCK: MIL-STD-202, METHOD 213, CONDITION I
 VIBRATION: MIL-STD-202, METHOD 204, CONDITION D
 MOISTURE RESISTANCE: MIL-STD-202, METHOD 106



CUSTOMER DRAWING

THIS DRAWING TO BE INTERPRETED PER ASME Y 14.5M - 1994

"μ STATION"

COMPANY CONFIDENTIAL

TOLERANCE UNLESS OTHERWISE SPECIFIED	DRAWN BY PAT	DATE 12-14-05		Cinch Connectivity Solutions P.O. Box 1732 Waseca, MN 56093 1-800-247-8256
DECIMALS mm	CHECKED BY PDW	DATE 5-12-06		
.XX _____	APPROVED BY SBD	DATE 5-12-06	TITLE	SMA PLUG ASSEMBLY ONE PIECE CONNECTOR, RG-405, .086 SEMI-RIGID
.XXX ±.003 _____	RELEASE DATE	5-12-06	SHEET	2 OF 2
MATL _____	U/M	INCH	DRAWING NO.	C - 141-0693-061/070
FINISH _____	SCALE	10:1		