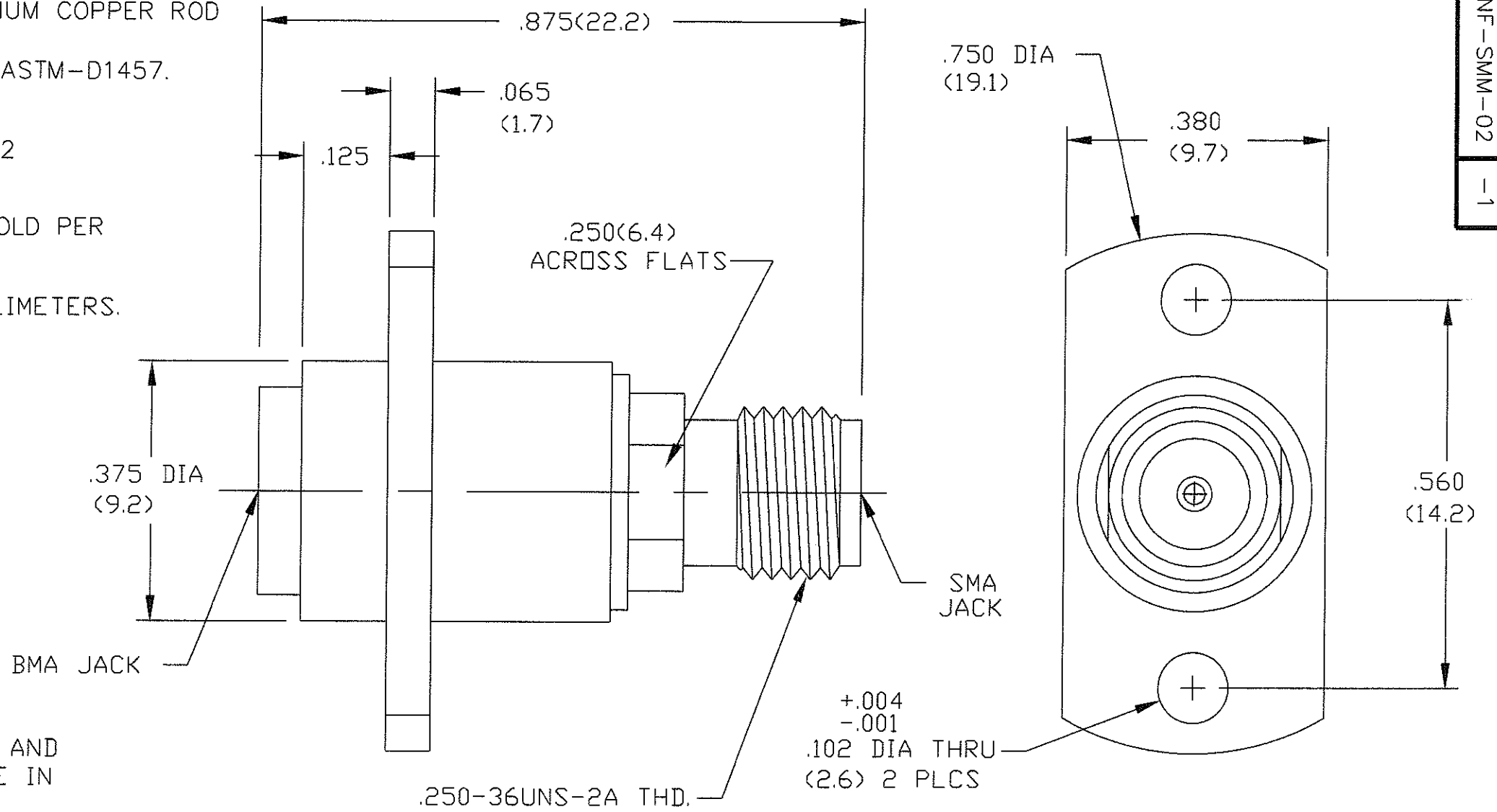


NOTES:

- 1.0 MATERIALS:
  - 1.1 HOUSINGS: STAINLESS STEEL PER ASTM-A582, TYPE 303.
  - 1.2 CENTER CONT. & CONT. HOOD: BERYLLIUM COPPER ROD ALLOY C172, PER ASTM-B196.
  - 1.3 DIELECTRIC: PTFE FLUOROCARBON PER ASTM-D1457.
- 2.0 PLATING:
  - 2.1 HOUSING: PASSIVATED PER MIL-F-14072 AND QQ-P-35
  - 2.2 CENTER CONTACT & CONTACT HOOD GOLD PER MIL-G-45204 TYPE II, CLASS 1.
- 3.0 DIMENSIONS IN PARENTHESIS ARE MILLIMETERS.
- 4.0 MECHANICAL:
  - 4.1 INTERFACE PER MIL-STD-348
  - 4.2 CAPTIVATED CONTACT
- 5.0 ELECTRICAL:
  - 5.1 FREQUENCY RANGE: 0 to 18.0 GHz
  - 5.2 VSWR: 1.15 + 0.01f(GHz)

ALL OTHER MECHANICAL, ELECTRICAL, AND ENVIRONMENTAL CHARACTERISTICS ARE IN ACCORDANCE WITH MIL-C-39012.



MODEL NUMBER  
ADT-2809-NF-SMM-02  
REV.  
-1

REV.	DESCRIPTION	DATE
-	RELEASED	5/18/95
-1	ADDED TITLEBLOCK	3/17/05

UNLESS OTHERWISE NOTED DIMENSIONS ARE IN INCHES AND TOLERANCES ARE: 3 PLACE DECIMALS ±.005 2 PLACE DECIMALS ±.02 FRACTIONS ±1/64 PARALLELITY: T.I.R. _____ FLATNESS: T.I.R. _____ CONCENTRICITY: T.I.R. _____ ANGLES AND PERPENDICULARITY: ±1'	FSCM NO. <b>34078</b>	<b>MIDWEST MICROWAVE</b>	
	NOTICE: The information contained in this drawing is proprietary and must not be used without the permission of Midwest Microwave	TITLE ADAPTER FLANGE MT. BMA FLOATING JACK to SMA JACK	
DRAWN/DATE A.BEATTY 6/8/95	ENG./DATE A.OSGA 5/18/95	DRAWING NUMBER ADT-2809-NF-SMM-02	
CHECKED/DATE P.GOODMAN 5/17/95	APPROVED/DATE	SCALE: 5=1	SHEET 1 of 1