

1 2 3 4 5 6 7 8

F

F

E

E

D

D

C

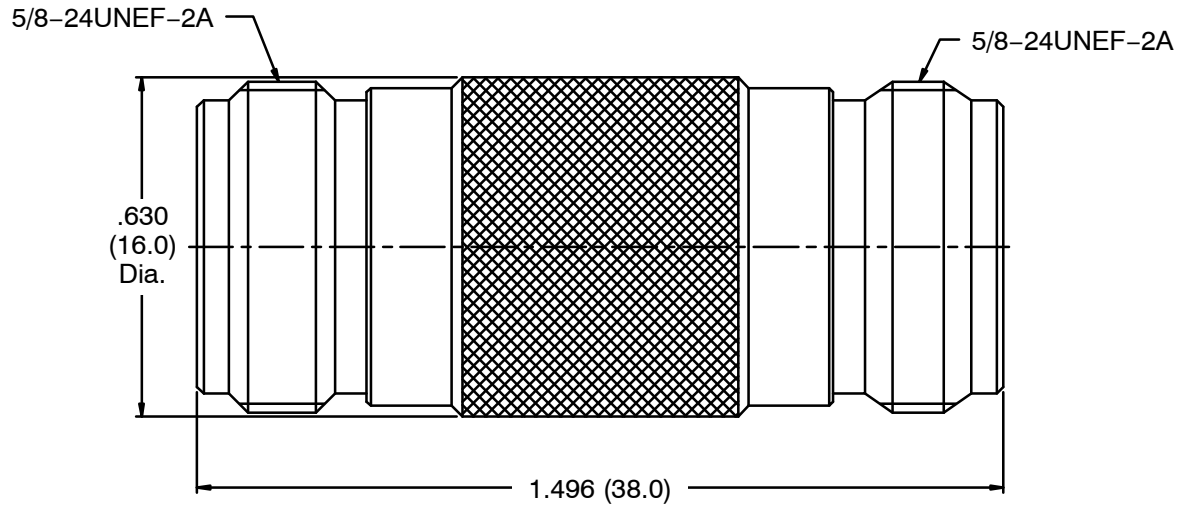
C

B

B

A

A



NOTES: Finish (Plating Thickness in Micro-inches)
 1. Brass
 2. Albaloy Plating (Copper-Tin-Zinc) Pl. 80 Min. Thick
 3. Phosphor Bronze
 4. Gold Pl. 5 Min Thick over Copper Pl. 50 Min. Thick
 5. TEFLON

RoHS Compliant

Dimensions are in Inches				Part No.		<h1>NTE Electronics</h1>	
Unless Otherwise Specified Tolerances				Approved	Date		Title
0.5-6 = ±0.2					12-18-2018		N Jack to Jack Adapter
6-30 = ±0.4				Checked	Date		
30-120 = ±0.6					12-18-2018	Drawing No.	
120-315 = ±1				Drawn	Date	06-N010	
315-1000 = ±1.6					12-18-2018	File No.	
1000-2000 = ±2.4							

4	Body	Note 1	Note 2	2	
3	Contact Pin	Note 3	Note 4	1	
2	Insulator	Note 5	Natural	1	
1	Housing	Note 1	Note 2	1	
No	Description	Material	Finish	Q'ty	Drawing No.

1 2 3 4 5 6 7 8