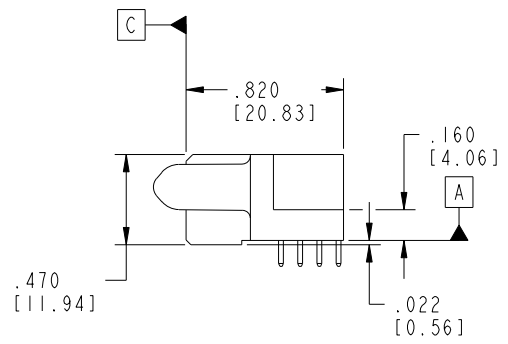
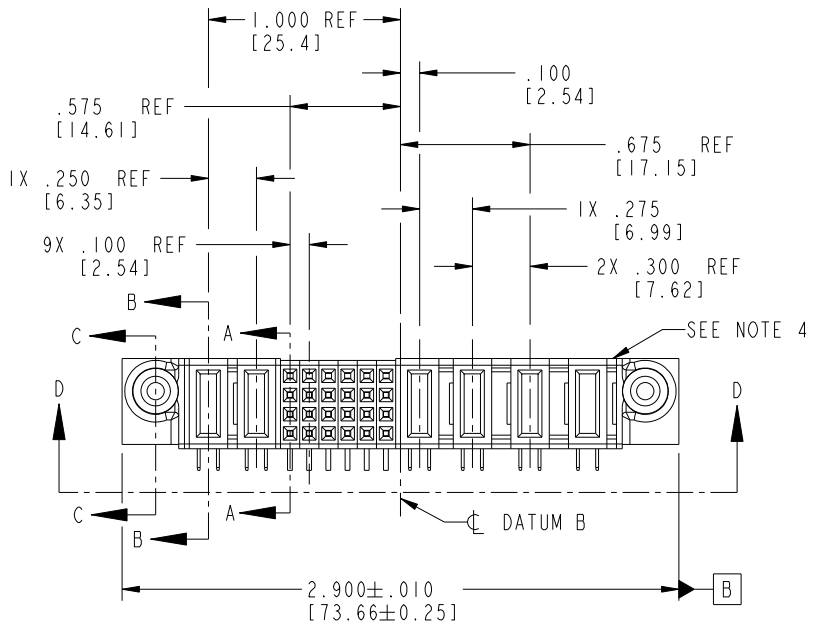
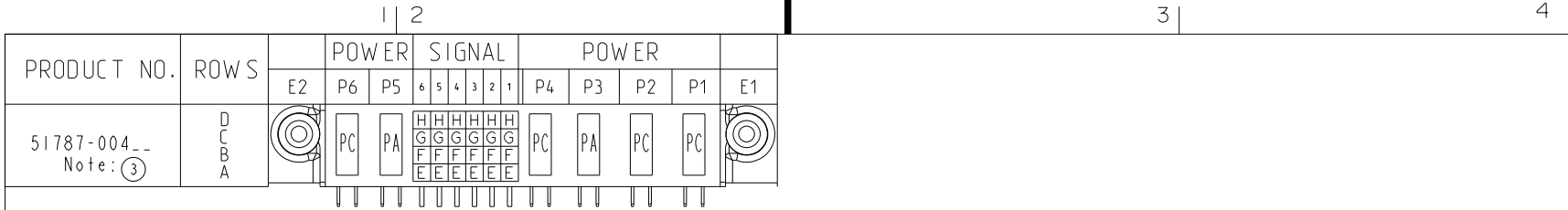


Tous droits strictement réservés. Reproduction ou communication a des tiers interdite sous quelque forme que ce soit sans autorisation écrite du propriétaire. Propriété de c FCI. Droits de reproduction FCI.



All rights strictly reserved. Reproduction or issue to third parties in any form whatever is not permitted without written authority from the proprietor. Property of FCI. Copyright FCI.



CODE	DIM "M" MATING LENGTH	CONTACT TYPE
E	N/A [N/A]	SIGNAL
F	N/A [N/A]	SIGNAL
G	N/A [N/A]	SIGNAL
H	N/A [N/A]	SIGNAL
PA	.042 [1.07]	POWER
PC	.092 [2.34]	POWER

mat'l code				SEE NOTE 2		tolerances unless otherwise specified		CUSTOMER	
ltr	ecn no.	dr	date	linear	.XX±.01/0.X±0.3	projection		COPY	
A	V20038	JWS	01-11-02		.XXX±.005/0.XX±0.13			title	
B	DG05-0170	SJ	06/19/05	angles	.XXX±.0020/0.XXX±0.051	INCH/MM		4P + 24S + 2P	
C	DG08-0251	W D	09/16/08		0° ± 2°	scale		R/A SOLDER RECEPTACLE	
				dr	J. SHAFFER 01-11-02	1:1		product family	
				engr	J. ALLISON 01-11-02			PwrBlade	
				chr	J. ALLISON 01-11-02			code	
				appd	J. ALLISON 01-11-02			213	
sheet index	revision sheet	C	C	C	C			sheet	
		1	2	3	4			1 of 4	

		www.fciconnect.com	
product family		PwrBlade	
size	dwg no	code	
A	51787-004	213	
		sheet	
		1 of 4	

Pro/E

PDM: Rev: C

STATUS: Released

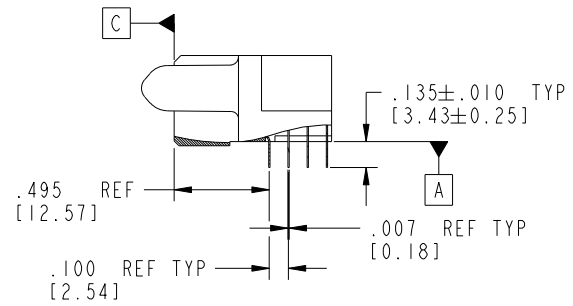
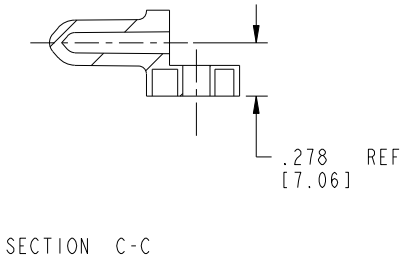
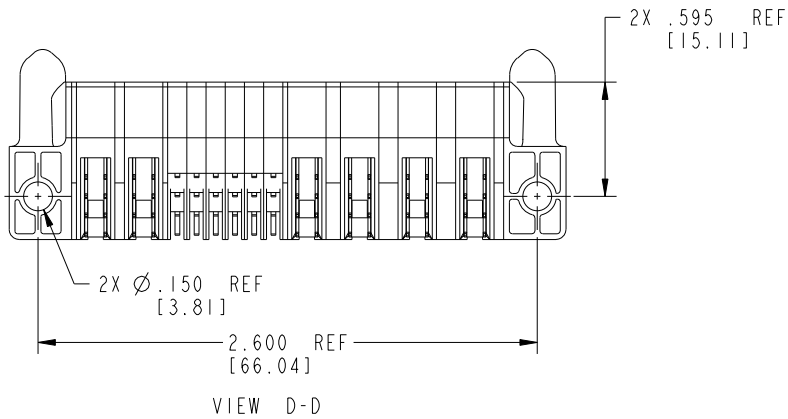
Printed: Dec 20, 2010

Tous droits strictement réservés. Reproduction ou communication a des tiers interdite sous quelque forme que ce soit sans autorisation écrite du propriétaire. Propriété de c FCI. Droits de reproduction FCI.

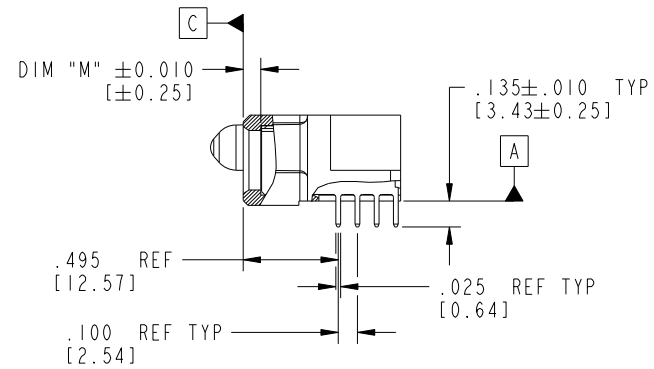
All rights strictly reserved. Reproduction or issue to third parties in any form whatever is not permitted without written authority from the proprietor. Property of FCI. Copyright FCI.



PRODUCT NUMBER
51787-004__
Note: ③



SECTION A-A



SECTION B-B

mat'l code		SEE NOTE 2		tolerances unless otherwise specified		CUSTOMER		FCI	
lfr	ecn no.	dr	date	linear	.XX±.01/0.X±0.3	COPY	www.fciconnect.com		
C				projection	.XXY±.005/0.XX±0.13	projection	title 4P + 24S + 2P		
				angles	.XXX±.0020/0.XXX±0.051	INCH/MM	R/A SOLDER RECEPTACLE		
				dr	J. SHAFFER 01-11-02	scale	product family PwrBlade		code
				engr	J. ALLISON 01-11-02	1:1	size	dwg no	213
				chr	J. ALLISON 01-11-02		A 51787-004		sheet
				appd	J. ALLISON 01-11-02				2 of 4
sheet index	revision sheet								

cage code 22526

Pro/E

PDM: Rev: C

STATUS: Released

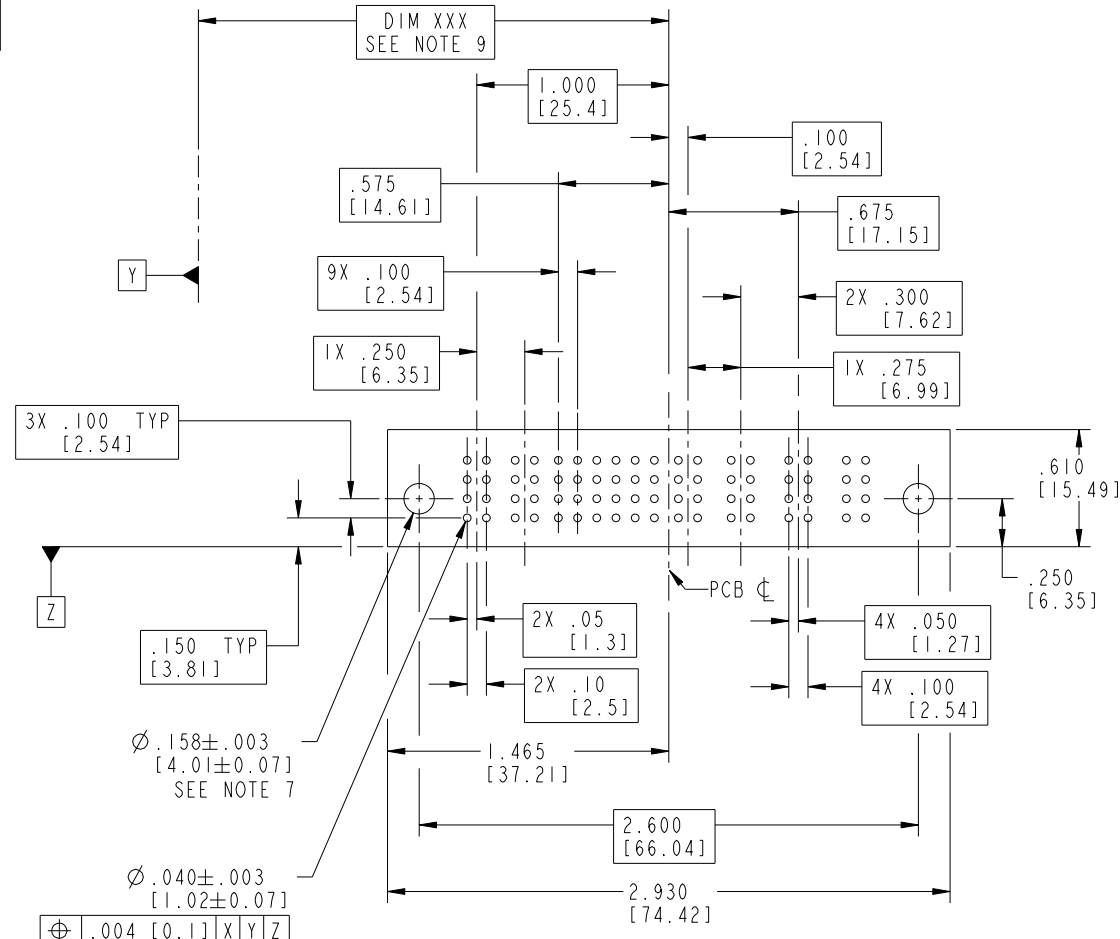
Printed: Dec 20, 2010

Tous droits strictement réservés. Reproduction ou communication a des tiers interdite sous quelque forme que ce soit sans autorisation écrite du propriétaire. Propriété de c FCI. Droits de reproduction FCI.



All rights strictly reserved. Reproduction or issue to third parties in any form whatever is not permitted without written authority from the proprietor. Property of FCI. Copyright FCI.

PRODUCT NUMBER
51787-004--
Note: ③



SEE NOTE 8

⊕	.004	[0.1]	X	Y	Z
---	------	-------	---	---	---

RECOMMENDED PCB LAYOUT

mat'l code		SEE NOTE 2		tolerances unless otherwise specified		CUSTOMER		 www.fciconnect.com	
ltr	ecn no.	dr	date	linear	.XX±.01/0.X±0.3	COPY		title	
C				angles	.XXY±.005/0.XX±0.13 .XXX±.0020/0.XXX±0.051	projection		4P + 24S + 2P R/A SOLDER RECEPTACLE	
				dr	0° ± 2°	INCH/MM		product family	
				enrg	J. SHAFFER 01-11-02	scale		PwrBlade	
				chr	J. ALLISON 01-11-02	1:1		code	
				appd	J. ALLISON 01-11-02			213	
sheet index		revision sheet				A		51787-004	
								3 of 4	

cage code 28516

Pro/E

PDM: Rev: C

STATUS: Released

Printed: Dec 20, 2010

Tous droits strictement réservés. Reproduction ou communication a des tiers interdite sous quelque forme que ce soit sans autorisation écrite du propriétaire. Propriété de c FCI. Droits de reproduction FCI.



All rights strictly reserved. Reproduction or issue to third parties in any form whatever is not permitted without written authority from the proprietor. Property of FCI. Copyright FCI.

1 | 2

3

4

PRODUCT NUMBER
51787-004--
Note: ③

NOTES:

① DIMENSIONS AND TOLERANCES ARE IN ACCORDANCE WITH ASME Y14.5M, 1994 UNLESS OTHERWISE SPECIFIED.

CONNECTORS NOTES:

② HOUSING MATERIAL: UL 94 V-0 GLASS FILLED HIGH TEMP THERMO PLASTIC
POWER CONTACT MATERIAL: COPPER ALLOY
SIGNAL PIN MATERIAL: COPPER ALLOY

△ 3. SEE ITEM 5 & 6 IN PRINT 10064183 FOR PLATING SPEC OF 51787-004 AND 51787-004LF RESPECTIVELY.

④ "MANUFACTURER" NAME, P/N, AND DATE CODE TO APPEAR ON THIS SURFACE.

⑤ PRODUCT SPECIFICATION GS-12-149.

PCB - NOTES:

⑥ ALL HOLE DIAMETERS ARE FINISHED HOLE SIZE.

7. HOLD DOWN THROUGH HOLES ARE UNPLATED.

8. $\varnothing .0453 \pm 0.0010$ [1.151 ± 0.025] DRILLED HOLES PLATED WITH 0.0003 [0.008] MIN SnPb OVER .001 [0.03] TO .003 [0.08] Cu PLATING TO ACHIEVE $\varnothing .040 \pm .003$ [1.02 ± .07] HOLE.

9. "DIM XXX" TO BE DETERMINED BY THE CUSTOMER.

10. A △ SYMBOL WILL BE NEXT TO ANY DIMENSION, VIEW, OR NOTE WHICH HAS BEEN MODIFIED WITH THE CURRENT DRAWING REVISION.

mat'l code		SEE NOTE 2		tolerances unless otherwise specified		CUSTOMER		FCI		www.fciconnect.com	
ltr	ecn no.	dr	date	linear	.XX±.01/0.X±0.3	COPY		projection		title	
C					.XX±.005/0.XX±0.13	INCH/MM				4P + 24S + 2P	
				angles	.XXX±.0020/0.XXX±0.051	scale				R/A SOLDER RECEPTACLE	
				dr	0° ± 2°	1:1		product family		code	
				engr	J. SHAFFER 01-11-02			PwrBlade		213	
				chr	J. ALLISON 01-11-02			size		sheet	
				appd	J. ALLISON 01-11-02			A 51787-004		4 of 4	
sheet index		revision sheet									

A

A

B

B

1 | 2

Pro/E

PDM: Rev: C

STATUS: Released

Printed: Dec 20, 2010

cage code 28526

4