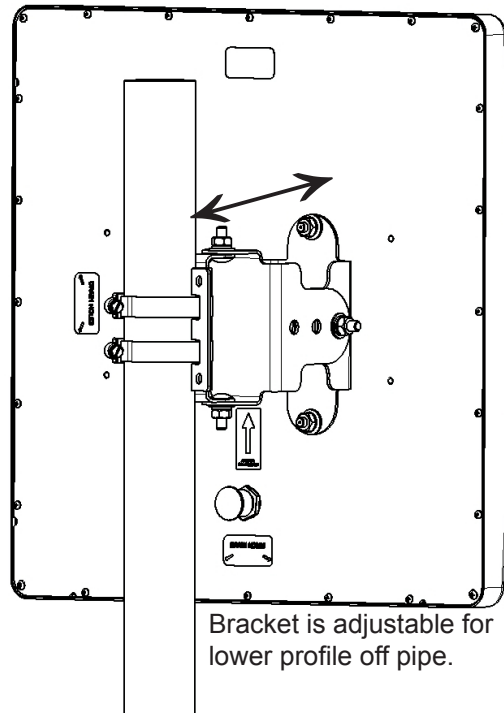


**Step 6.**

Adjust to the desired azimuth and elevation angles and tighten all pivot hardware. (4 places)



**For Optional Extension Bracket, proceed to steps 7 - 9.**

*(Not included with all antennas.)*

**Extension Bracket Kit Contents:**

- 2 - Extension Brackets
- 1 - 1/4 - 20 x 4-1/2 bolt
- 3 - 1/4 - 20 x 3-1/4 bolt
- 4 - 1/4" - 20 hex nut
- 4 - 1/4" - flat washer
- 4 - 1/4" - split lock washer
- 1 - 0.37" ID, 0.065" Wall, 3.47" L - tube spacer
- 3 - 0.37" ID, 0.065" Wall, 2.33" L - tube spacer

NOTE: There will be extra hardware from the P02370 when used with the extension bracket mount kit.

- 4 - 1/4" - 20 hex nut
- 4 - 1/4" - 20 spring lock washer
- 4 - 1/4" - 20 flat washer

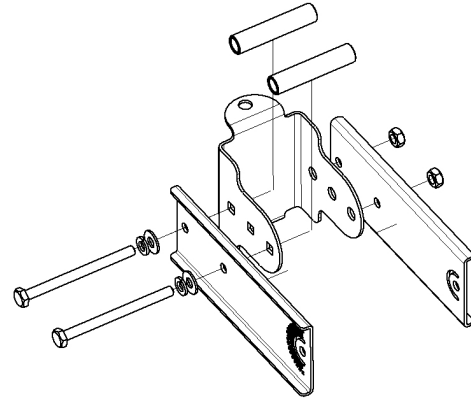
**Additional Tools:**

*[Required for securing the hex head bolts.]*  
7/16" wrench

**Step 7.**

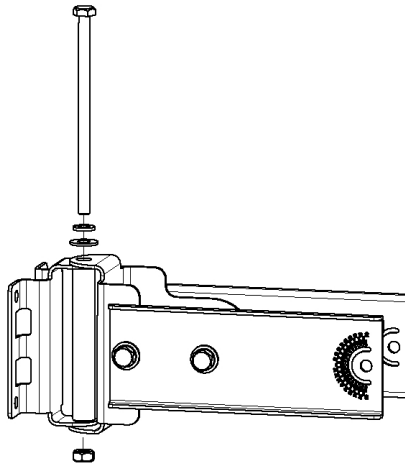
Remove the extension bracket from packaging.

Preassemble the extension bracket.



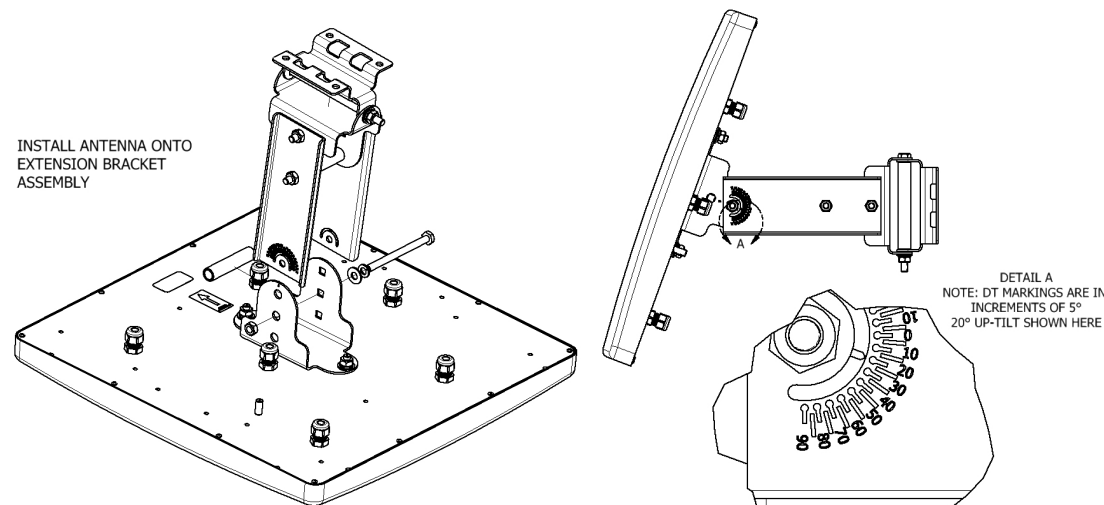
**Step 8.**

Preassemble the azimuth bracket.



**Step 9.**

Install antenna.



# Flat Panel Antenna Series

## INSTALLATION GUIDELINES FOR FLAT PANEL SERIES

### **IMPORTANT NOTICE:**

The antenna should be handled with care.  
Do not stand on or drop antenna.

**Fits Pole sizes: 1.63" to 2.3" pipe O.D.**

### **Antenna Contents:**

Panel antenna with adjustable mount and hardware, including:

- 4 - 1/4" - 20 x 3/4 carriage bolt
- 6 - 1/4" - 20 hex nut
- 6 - 1/4" - 20 spring lock washer
- 6 - 1/4" - 20 flat washer
- 2 - pipe clamps

### **Tools:**

[Required for attaching mount to antenna and securing to pole.]

7/16" wrench

8 mm nut driver or flat head screwdriver for hose clamps

### **Pipe Clamp Recommended Torque:**

43-51 in-lbf (4.9-5.8 N-m)

### **Note:**

Mount allows antenna to be vertically or horizontally polarized.

\*Mount can be wall mounted. Hardware not included.

### **Step 1.**

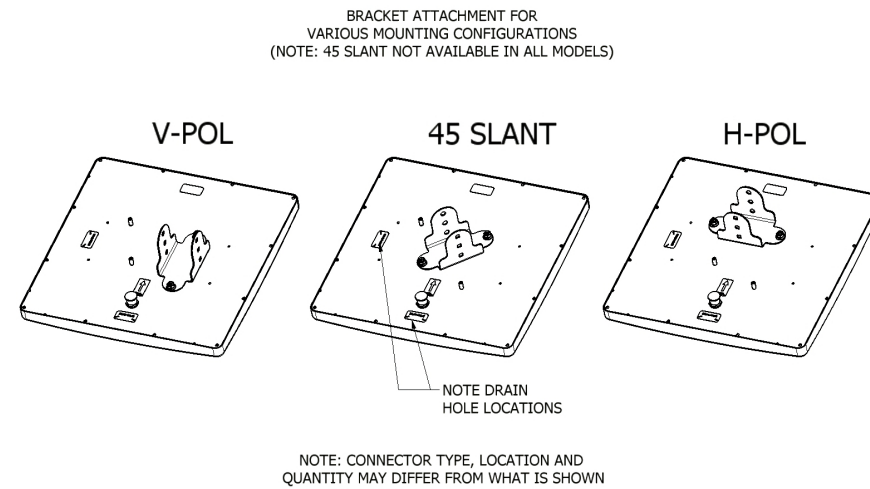
Remove antenna and mount kit from packaging.

Mount kit contents:

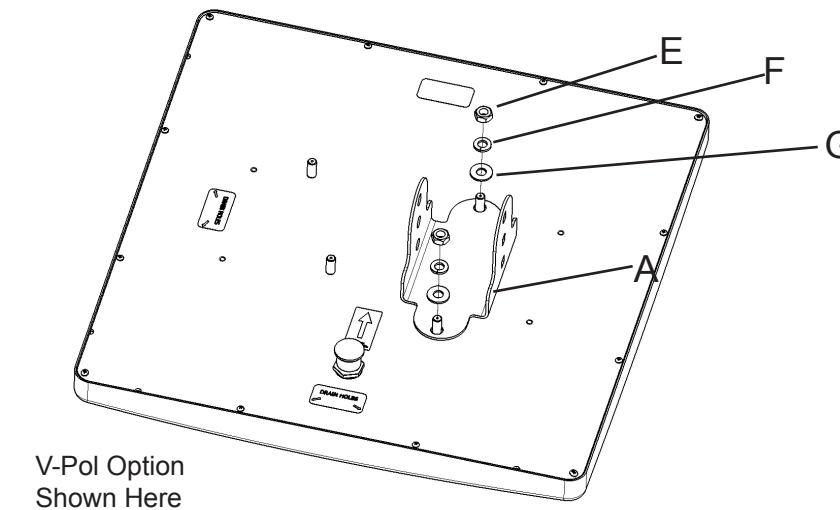
- (A) 1 - Antenna mount bracket
- (B) 1 - Elevation adjustable bracket
- (C) 1 - Azimuth adjustable bracket
- (D) 4 - 1/4" - 20x3/4 carriage bolt
- (E) 6 - 1/4" - 20 hex nut
- (F) 6 - 1/4" - 20 spring lock washer
- (G) 6 - 1/4" - 20 flat washer
- (H) 2 - pipe clamps

### **Step 2.**

Determine mount configuration.

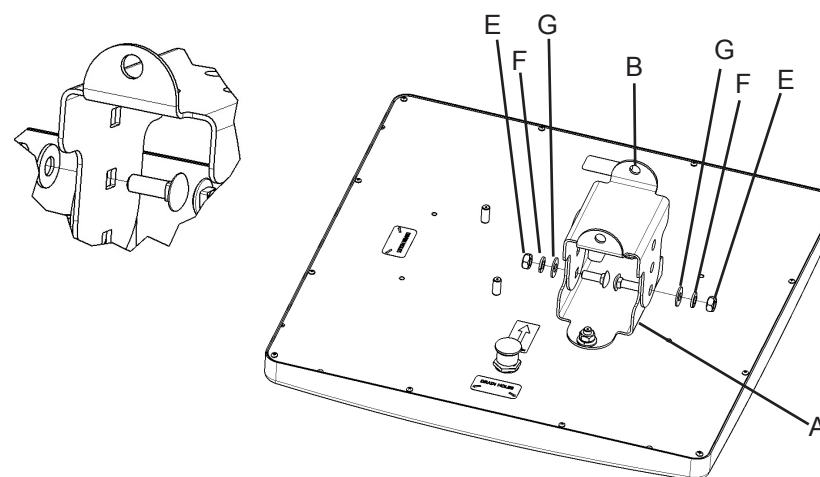


Attach antenna mount bracket (A) to the back of the antenna as shown applying a maximum nut-tightening torque of 55 in-lbf (6.2 Nm).



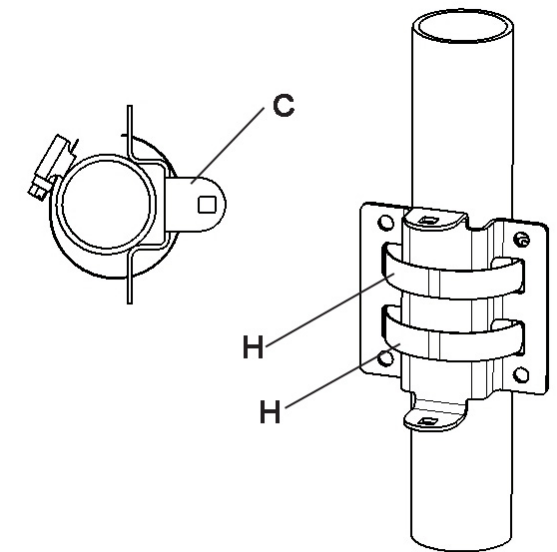
### **Step 3.**

Attach elevation adjustable bracket (B) as shown and loosely secure hardware. The carriage bolt square holes must be on the inside.



### **Step 4.**

Attach azimuth adjustable bracket to pipe routing band clamps as shown. Maximum tightening torque.



### **Step 5.**

Attach antenna assembly to azimuth bracket on pipe.

