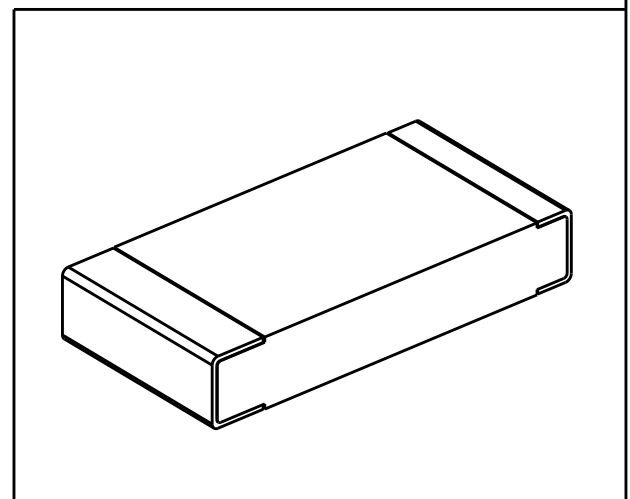
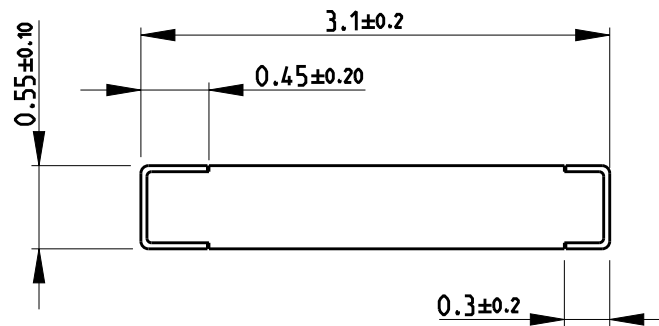
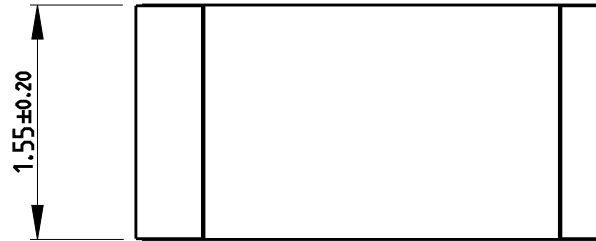


REVISIONS


P	LTR	DESCRIPTION	DATE	DWN	APVD
	BA	NEW RELEASE	27APR2020	SB	AP

FOR FURTHER INFORMATION SEE DATA SHEET FOR CPF SERIES-THIN FILM PRECISION CHIP RESISTORS



RoHS Compliant

© 2020 TE Connectivity. All Rights Reserved.

DIMENSIONS: mm		DWN SHRICHARANA B 27APR2020	MATERIAL -	FINISH -
TOLERANCES UNLESS OTHERWISE SPECIFIED:		CHK ALLAN P 27APR2020	 TE Connectivity	
0 PLC ±0.2 1 PLC ±0.1 2 PLC ± 3 PLC ± 4 PLC ± ANGLES ±5°		APVD ALLAN P 27APR2020		
		PRODUCT SPEC -	NAME THIN FILM PRECISION CHIP RESISTORS SERIES CPF 1206	
		APPLICATION SPEC -	SIZE A4	CAGE CODE 00779
		WEIGHT -	DRAWING NO C-2176458	RESTRICTED TO -
CUSTOMER DRAWING			SCALE 20:1	SHEET 1 OF 1
				REV BA