

# C3216X7R2J103M115AE

TDK Item Description : C3216X7R2J103MT\*\*\*S

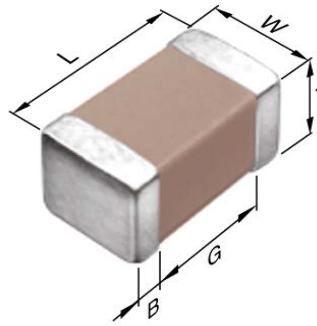


## Application & Main Feature

Commercial Grade ( Soft Termination )

## Series

C3216 [EIA CC1206]



## Dimensions

L	3.20mm +0.4,-0.2mm
W	1.60mm +0.3,-0.2mm
T	1.15mm +/-0.15mm
B	0.20mm Min.
G	1.00mm Min.

## Temperature Characteristic

X7R (-55 to 125 degC +/-15%)

## Rated Voltage

2J (630Vdc)

## Capacitance

10nF

## Capacitance Tolerance

M (+/-20%)

## Dissipation Factor

3% Max.

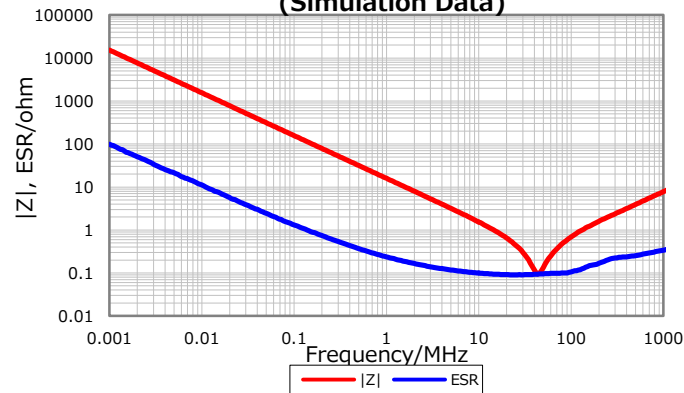
## Insulation Resistance

10Gohm Min

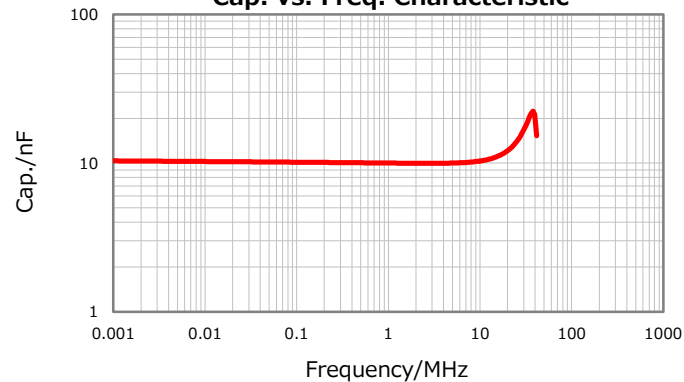
## AEC-Q200

Not Applicable

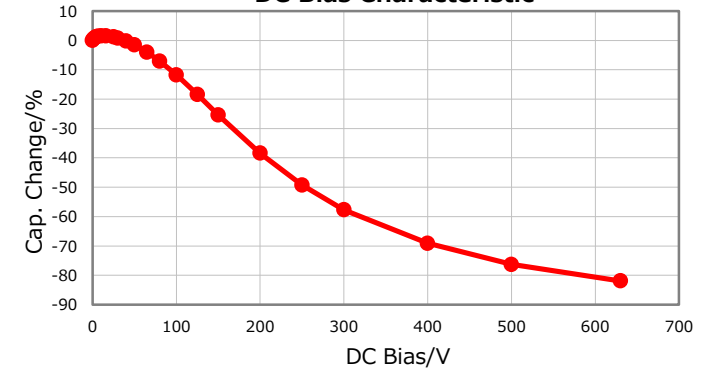
## |Z|, ESR vs. Freq. Characteristics (Simulation Data)



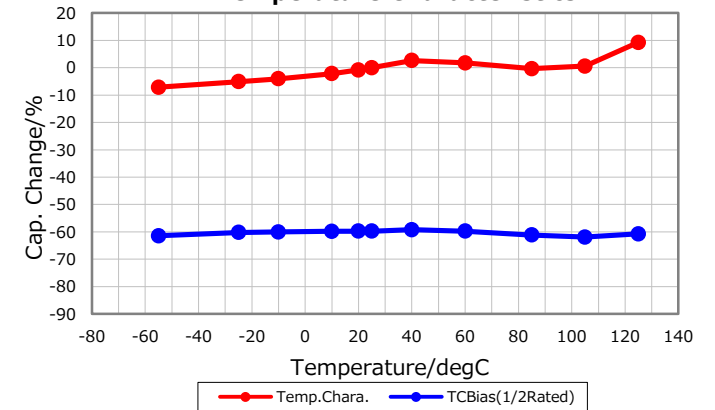
## Cap. vs. Freq. Characteristic



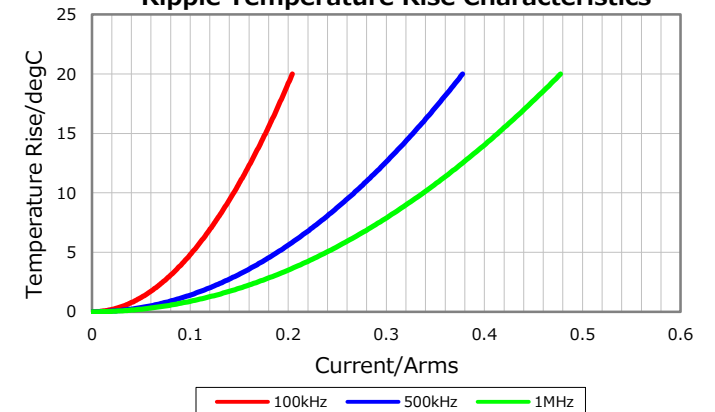
## DC Bias Characteristic



## Temperature Characteristics



## Ripple Temperature Rise Characteristics



Characterization Sheet ( Multilayer Ceramic Chip Capacitors )



All specifications are subject to change without notice.

March 16, 2017