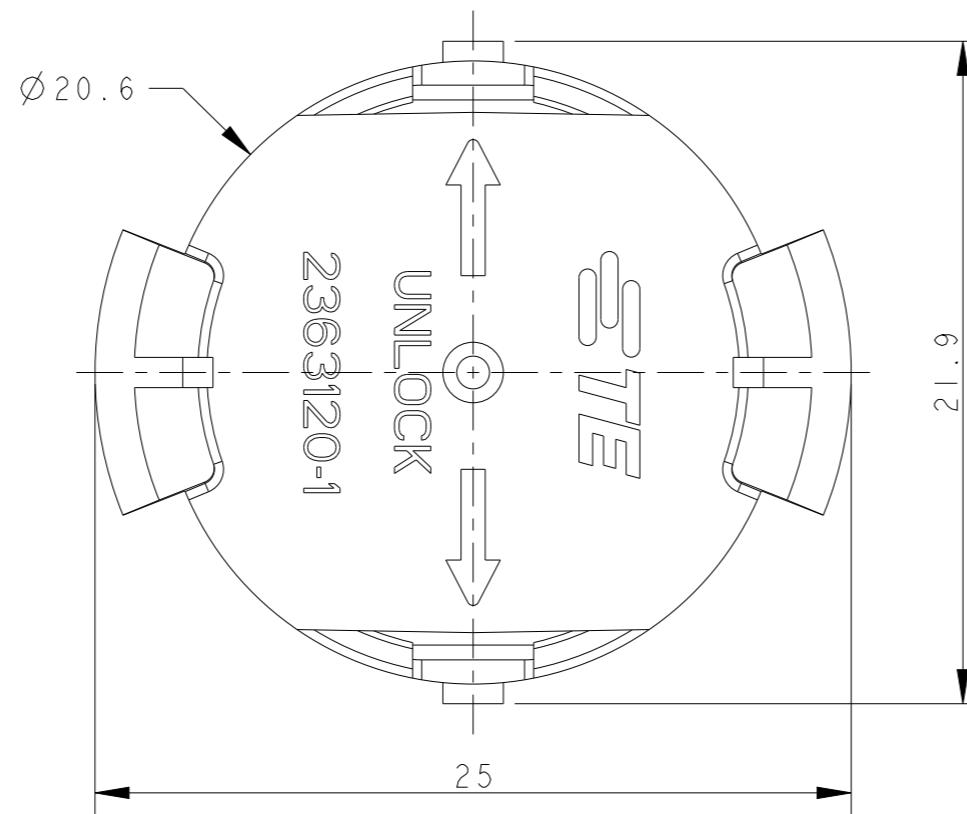
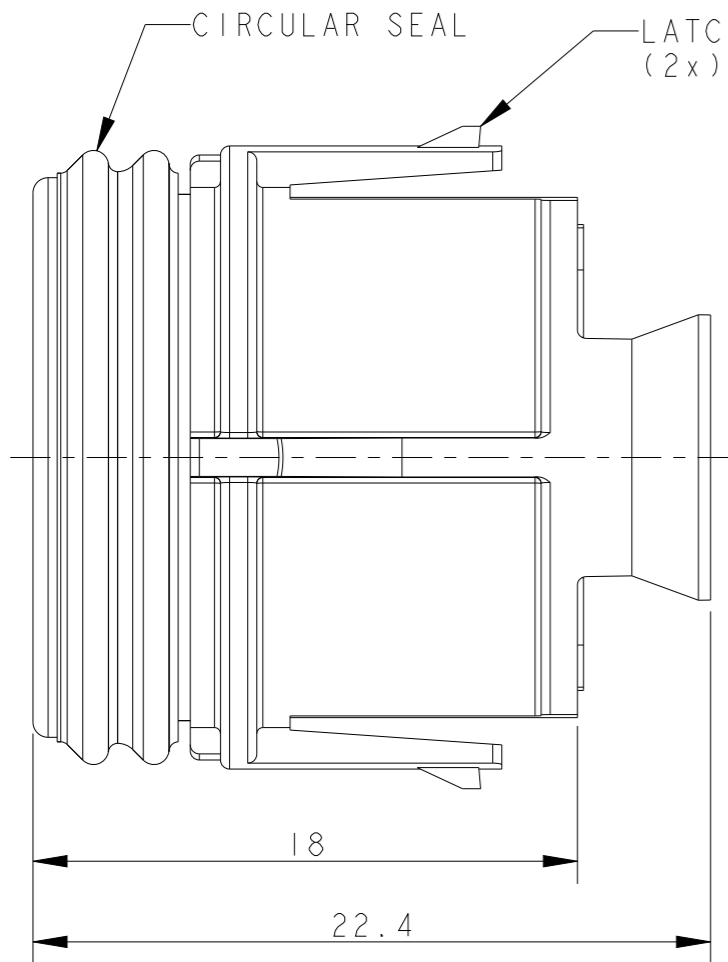
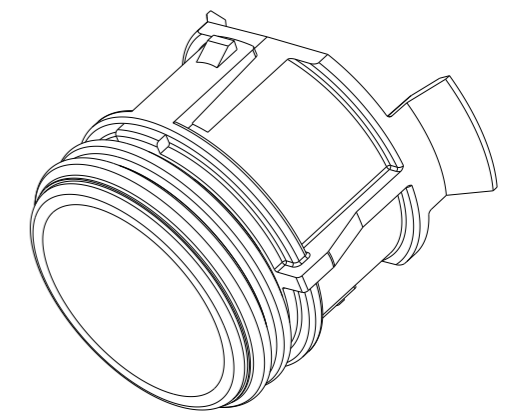


P	LTR	DESCRIPTION	DATE	DWN	APVD
	A	INITIAL RELEASE	26NOV2020	SM	MZ
	A1	RELEASED	18MAR2022	SM	MZ




NOTES:

- MATERIALS:  
 PLASTIC: PBT+PC ALLOY, UL-V0 (BLACK COLOR)  
 SEAL : NBR (ORANGE COLOR)
- IP RATING: IP68
- FOR ASSEMBLY INSTRUCTIONS, REFER APPLICATION SPECIFICATION 114-133123
- PACKAGING: IN PE BAG



PN 2366866-1 AS SHOWN  
SCALE 2:1

THIS DRAWING IS A CONTROLLED DOCUMENT.		DWN SUBHASH.M 26NOV2020	 TE Connectivity NAME NECTOR T, 3Pos, SOCKET CONN. DUST CAP				
DIMENSIONS: mm		CHK M. ZUCCA 26NOV2020					
TOLERANCES UNLESS OTHERWISE SPECIFIED:		APVD PETER.OTT 26NOV2020					
0 PLC ±0.2 1 PLC ±0.2 2 PLC ±0.1 3 PLC ± 4 PLC ± ANGLES ±°		PRODUCT SPEC 108-133123					
MATERIAL -		FINISH -	APPLICATION SPEC 114-133123	SIZE A3	CAGE CODE 00779	DRAWING NO C-2366866	RESTRICTED TO -
CUSTOMER DRAWING			WEIGHT -	SCALE 4:1	SHEET 1	OF 1	REV A1