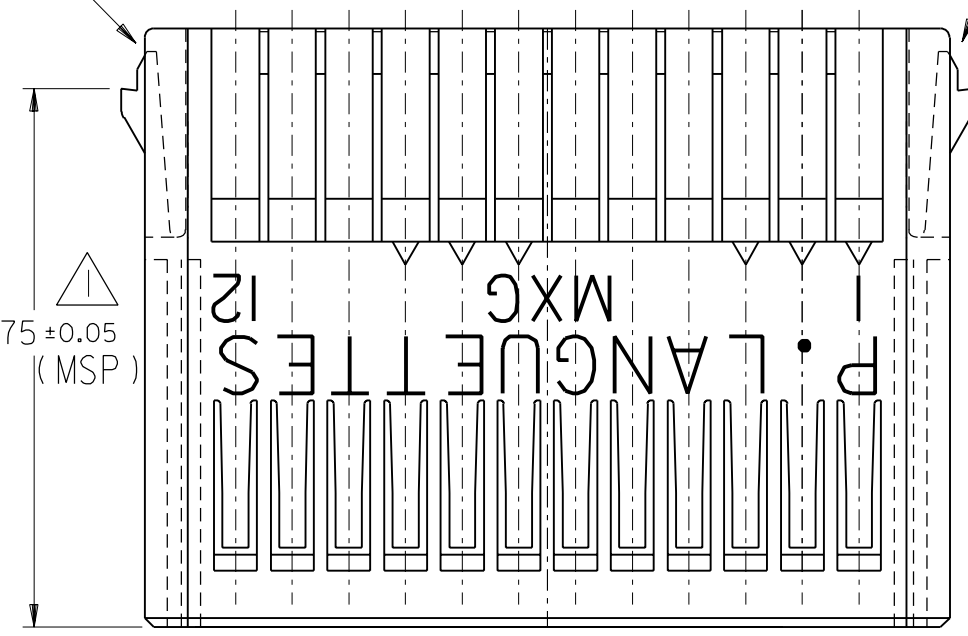
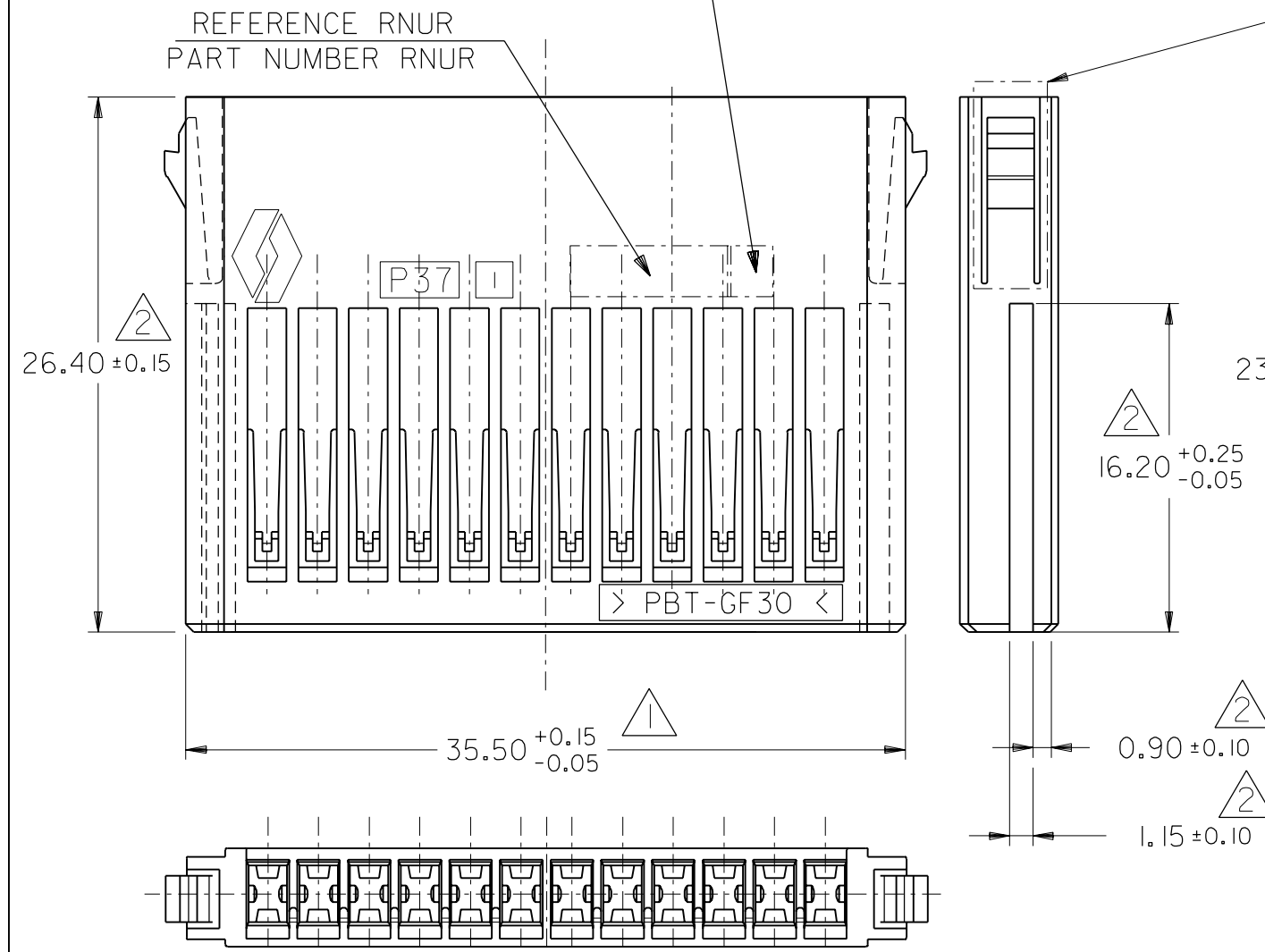


INDICE REVISION PLAN DE CONTROLE
- LA LETTRE SEULEMENT - "E"
REVISION OF CONTROLE DRAWING
- LETTER ONLY - "E"

BAVURES ADMISES DANS CES ZONES SI
L'EFFORT D'INSERTION < ou = 15N
ALLOWED BURRS ON THESE AREAS IF
INSERTION FORCE < ou = 15N



LIAISONS ELECTRIQUES
NORME 01-58-904

INDICE	EN LIAISON AVEC NORME
	SANS LIAISON AVEC NORME
SCE :	LE : / /
NOM	SIGNATURE

PORTE LANGUETTE MALE HOUSING		
INSERTION INSERTION		RETENTION RETENTION
PORTE MODULES MALE ADAPTORS	15 N MAX.	150 N MIN.
LANGUETTE 0.635 TERMINAL	10 N MAX.	75 N MIN.

EFFORTS / FORCES

NOTA:
CE PLAN ETANT UN EXTRAIT DU PLAN DE DEFINITION, ON FERA REFERENCE POUR TOUT LITIGE AU PLAN DE DEFINITION
TOUTE COTE NON RESPECTEE SUR UN LOT DONNERA LIEU AU REFUS DU LOT
THIS DRAWING IS AN EXTRACT OF THE PART DRAWING, FOR ANY LITIGATION THE PART DRAWING WILL BE THE ONLY
REFERENCE, ALL PARTS OF THIS BATCH WILL BE REFUSED

TEMPERATURE TEMPERATURE	1	-40° / +85°
ETANCHEITE SEALING	0	NON
VIBRATION VIBRATION	1	

N°: 36-05-019
DATE: 02 / 88

CLASSE D'UTILISATION
LIMITS OF USE

CAHIER DES CHARGES
CUSTOMER SPEC.

LANGUETTES 0.635 MALE CKT		MODULES PORTE LANGUETTES MALE MODULE 0.635		ACCOUPLEMENT AVEC CLIP 0.635 MATING WITH FEMALE CKT	
REFERENCE PART NUMBER	RNUR REFERENCE RNUR PART NUMBER	REFERENCE PART NUMBER RNUR REFERENCE RNUR PART NUMBER	98592-0001/02/03/04 INDICE C1	98592-0001/02/03/04 INDICE D	98587-0004 INDICE A&A1
98588-0004	7 703 497 689	7 703 297 813/814/815/816	7 703 297 813/814/815/816	7 703 497 688	98587-0014 INDICE B
98588-0014	7 703 497 801				7 703 497 802
			OUI / YES	OUI / YES	OUI / YES
			OUI / YES	OUI / YES	NON / NO

**HIERARCHISATION
DES CARACTERISTIQUES**
APPLICATION PARTIELLE DE LA
PROCEDURE D.E.22A/91/1810

IND	DATE	REVISION
E	00/01/05	MISE A JOUR EMPLACEMENT TABLEAU- DIM 23.85 DEVIENT 23.75+/-0.05 UPDATE DRAWING CHART AREA - DIM 23.85 WILL BE 23.75+/-0.05
DI	99/10/12	AJOUTE NOTA CONCERNANT LA FORCE D'INSERTION ADD NOTE CONCERNING INSERTION FORCE
D	98/06/22	COTE 23.50 +/- 0.1(MSP) DEVIENT 23.85+/-0.05 - AJOUTE COMPATIBILITE DIM. 23.50 +/- 0.1 (MSP) WILL BE 23.85+/-0.05 - COMPATIBILITY ADDED
CI	97/10/02	AJOUT COTE 23.50 +/- 0.1 (MSP) DIM. 23.50 +/- 0.1 (MSP) ADDED
C	97/04/02	AJOUT VUE MONTRANT MARQUAGE VIEW SHOWING MARKS ADDED
B	97/01/22	AJOUT DIMENSIONS HIERARCHISEES HIERARCHICAL DIMENSIONING ADDED
A	96/11/19	PREMIERE DIFFUSION CLIENT FIRST RELEASE FOR CUSTOMER

		MODULE PORTE LANGUETTE MALE MODULE	GRIS GREY	PBT. 30 GF	98592-0004	7 703 297 816
		MODULE PORTE LANGUETTE MALE MODULE	ROUGE RED	PBT. 30 GF	98592-0003	7 703 297 815
		MODULE PORTE LANGUETTE MALE MODULE	NATUREL NATURAL	PBT. 30 GF	98592-0002	7 703 297 814
		MODULE PORTE LANGUETTE MALE MODULE	NOIR BLACK	PBT. 30 GF	98592-0001	7 703 297 813
REP POS	Qte Qty	DESIGNATION DESIGNATION	COULEUR COLOR	MATIERE MATERIAL	REFERENCE MOLEX MOLEX PART N°	REFERENCE RNUR RNUR REFERENCE

CAHIER DE PRECONISATIONS N°: CP-98592-0001
SPECIFICATIONS FILE N°:

MISE EN OEUVRE
SPECIFICATION FILE

AU PIED A COULISSE OU AU PROJECTEUR DE PROFIL, VERIFIER LES COTES INDIQUEES
SUR LE DESSIN DU PORTE LANGUETTE
WITH A SLIDING CALIPER OR PROFILE PROJECTOR, MEASURE THE NOTED DIMENSIONS ON
THE DRAWING

CALIBRE DE CONTROLE
CONTROL GAUGE

**NOMENCLATURE
PARTS LIST**

PORTE MODULES PORTE LANGUETTES MALE ADAPTORS	7 703 197 552	7 703 197 584	7 703 197 633	7 703 297 172	7 703 297 217
	7 703 197 566	7 703 197 585	7 703 197 634	7 703 297 173	7 703 297 228
		7 703 197 586	7 703 197 635	7 703 297 174	7 703 297 229
				7 703 297 175	7 703 297 230
LANGUETTE 0.635 TERMINAL	7 703 497 689	7 703 497 801 (VOIR TABLEAU DE COMPATIBILITE)			

**PRODUITS ASSOCIES
ASSOCIATED PARTS**

ECN G-2000-3420 MA 00-01-05	ECN G-2000-3391 MA 99-10-12	ECN G-1998-2968 MA 98-JULY-02	ECN G-1998-2675 JT 97-OCTOBER-02 PDR 97/3013	ECN G-1997-2497 JT 97-APRIL-02 PDR 97/3013	REVISIONS	FIRST ANGLE PROJECTION	REVISE ONLY ON CAD SYSTEM	SH. REV.
DIMENSIONS SHOWN (METRIC) INCH UNLESS OTHERWISE SPECIFIED TOLERANCES: ANGULAR ± 1/2°						DRWG BY MA	CAD/CAM FILENAME S98592X1 DGN	THIS DRAWING CONTAINS INFORMATION THAT IS PROPRIETARY TO MOLEX INC. & SHOULD NOT BE USED WITHOUT WRITTEN PERMISSION
INCH (METRIC)						CHK'D BY	TITLE MODULE P. LANGUETTE 0.635 mm PLAN DE CONTROLE MALE MODULE 0.635 mm CONTROLE SPC.	
3 PLACE ± X						APP'D BY	MOLEX MOLEX FRANCE	SHEET NO. DATE 1 OF 1 96/09/26
2 PLACE ± X ± X						SCALE	PART NO.	DWG NO.
1 PLACE ± X							SEE CHART	SD-98592
DRAFT WHERE APPLICABLE MUST REMAIN WITHIN DIMENSIONS								SIZE C
DESIGN DIMENSION (PRIMARY) <input checked="" type="checkbox"/> (MM) <input type="checkbox"/> IN.								
EQUIVALENT DIMENSION (SECONDARY) <input checked="" type="checkbox"/> (MM) <input type="checkbox"/> IN.								