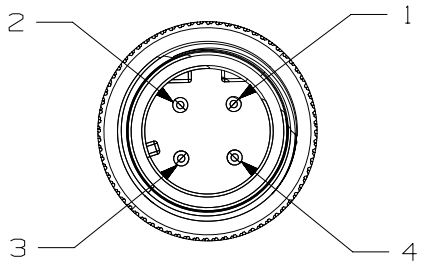
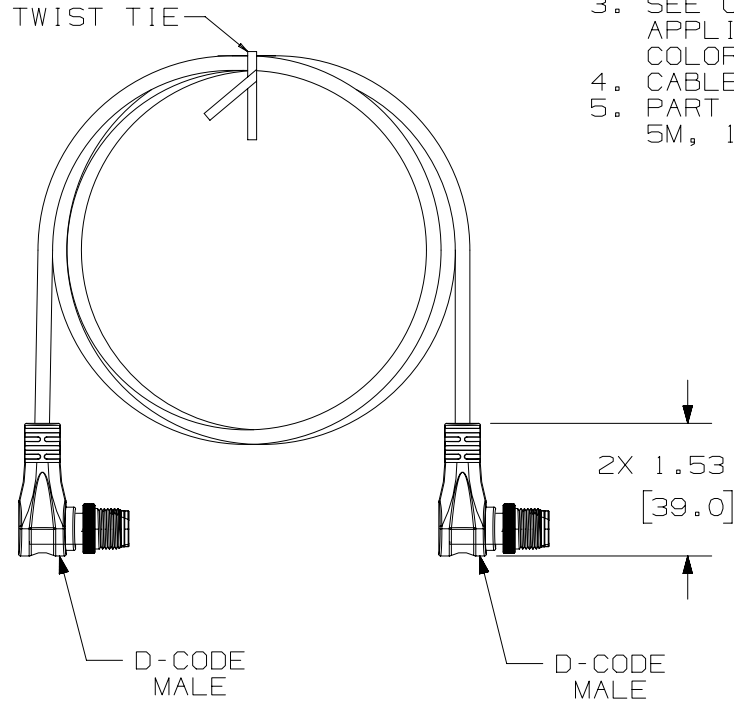


THIS COPY IS PROVIDED ON A RESTRICTED BASIS AND IS NOT TO BE USED IN ANY WAY DETRIMENTAL TO THE INTERESTS OF PANDUIT CORP.

WIRE MAPPING



- 1 = WHITE/ORANGE (+TX)
- 2 = WHITE/GREEN (+RX)
- 3 = ORANGE (-TX)
- 4 = GREEN (-RX)



NOTES:

1. PART NUMBER: ICD22T1NTL*M
2. DIMENSIONS IN PARENTHESES ARE IN METRIC.
3. SEE CURRENT CATALOG FOR VARIOUS APPLICATIONS AND TO INDICATE COLOR AND OR PACKAGE QUANTITY.
4. CABLE MEETS CATEGORY 5E REQUIREMENTS.
5. PART AVAILABLE IN 0.5M, 1M, 2M, 3M, 5M, 10M, 15M, 20M LENGTH.

TITLE ICD22T1NTL*M M12 ANGLED MALE-ANGLED MALE, D-CODE, STP, TPE, TEAL										
CUSTOMER DRAWING										
ITEM REVISION NAME 00396ECH/00					PANDUIT					
DATASET FILE NAME 00396ECH_DC/00A										
MATERIAL N/A										
DRAWN BY JBO					DATE 6/4/19		CHK DAJP		SCALE NONE	
DRAWING NUMBER 00396ECH-DC					SHEET 1 OF 1					

00A	6/4/19	JBO	DAJP	EOS	INITIAL RELEASE	ECN-INI-0015
REV	DATE	BY	CHK	APR	DESCRIPTION	ECN

2

1

2

1

A-SIZE CUSTOMER

B

B

A

A