

SUMMARY



Image is for illustrative purpose only

Wires

Low	10
High	0
Coax	0
Triax	0
Quad	0
Fiber	0
Fluidic	0

Download

[Request a quote](#)

[Catalog](#)

Series	P
Termination type	Female print 90° PCB
IP rating	50
Cable Ø	0.00 - 0.00 mm
Matching parts	PAA.M1.0SL.AC39GZ
Status	
Alternative part	

TECHNICAL DETAILS

Mechanics

Shell Style/Model	PK*:
Keying	2 keys (alpha=40; Plug: male contacts; Receptacle: female contacts)
Housing Material	PEI (Polyetherimide), gray
Cable Fixing	∅ 0 - 0 mm
Variant	G : Gray front nut

Performance

Configuration	1P.M10 : 10 Low Voltage
Insulator	
Rated Current	3 Amps

Specifications

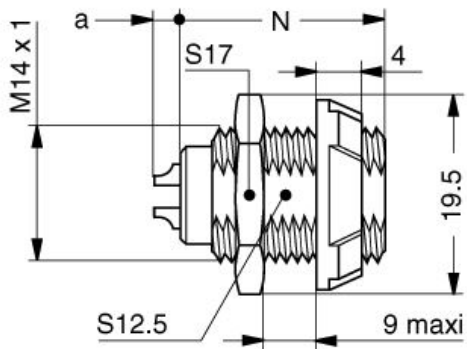
Contact Type: Print (elbow)
Max. Matings: 2000
Contact Dia.: 0.5 mm (0.0201in)
R (max): 8.5 mOhm
Test voltage (kV rms) Contact-contact: 0.85
Air clearance min. (mm) or Creepage distance min. (mm): 0.45

Others

F ret (min): 50 N
F ret (max): 150 N
IP Rating: 50

DRAWINGS

Draws



Dimensions

	A	Lmax	N
mm.	19.5	25	20.5
in.	0,77	0,98	0,81

RECOMMENDED BY LEMO

Tools

None

Cables