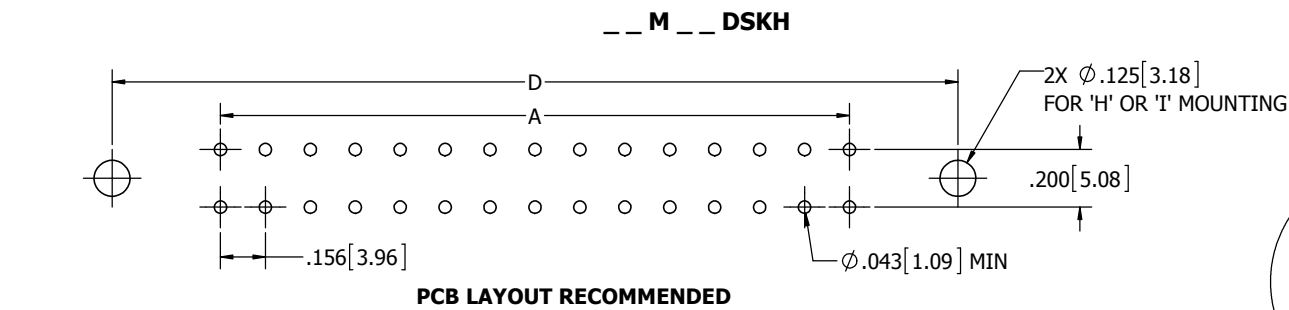
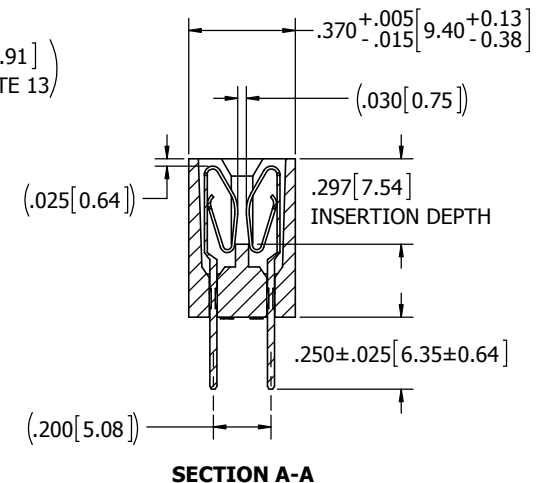
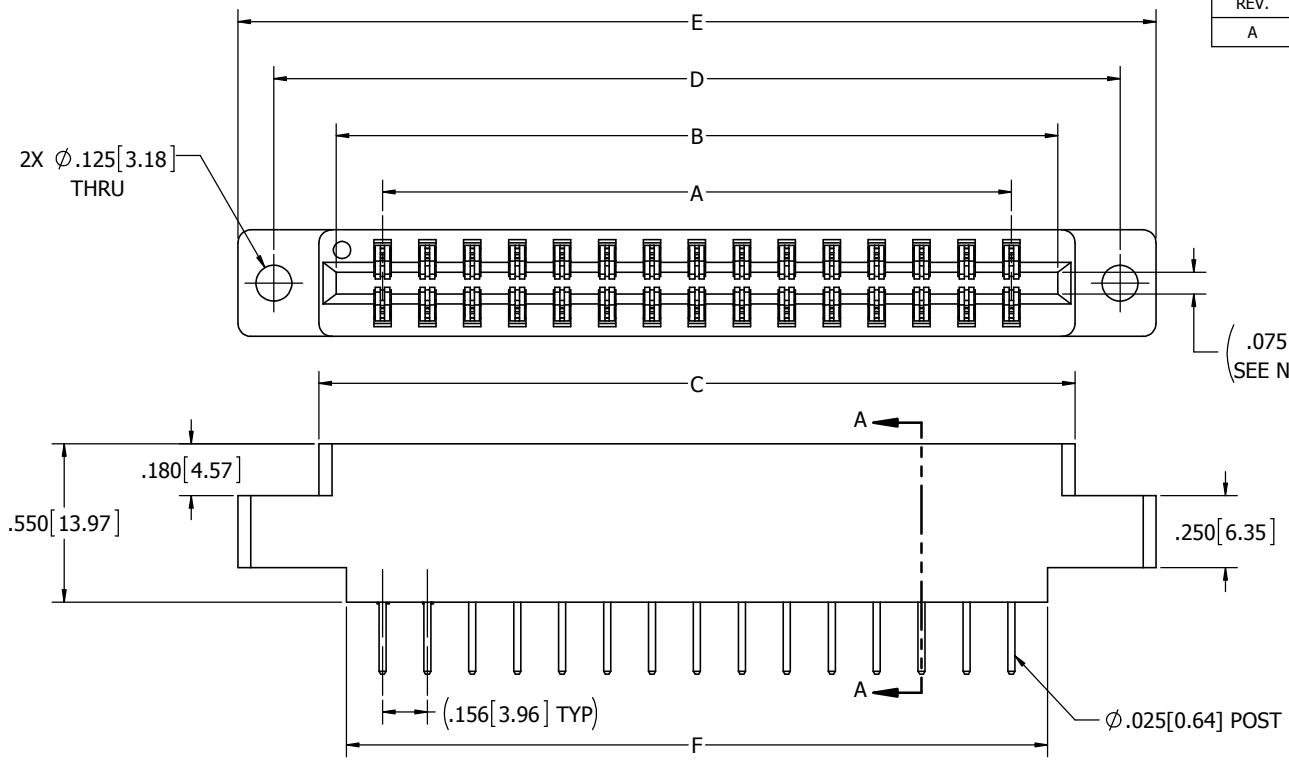


REVISIONS				
REV.	ECO NO.	DESCRIPTION	DATE	BY
A	2898	INITIAL RELEASE	1/16/2014	JHSU

PRELIMINARY



CONTACT ID
SCALE 4 : 1
CONTACTS NOT SHOWN FOR CLARITY

CONTACT MARKINGS (LETTERS G, I, O, & Q NOT USED)

SIZES 06 THRU 25 & 30:
1 2 ... 13 24 ... 29 30
A B ... A B ... H J

SIZES 28 & 31:
1 2 ... 23 24 ... 30 31
A B ... A B ... J K

SIZES 36 THRU 43:
A B ... A B ... X Y
1 2 ... 23 24 ... 42 43

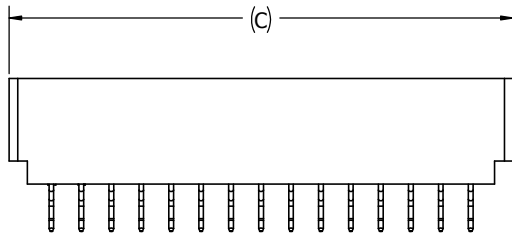
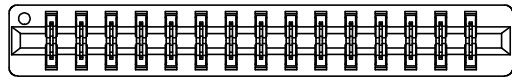
SIZES 47 & 50:
1 3 ... 97 99
2 4 ... 98 100

- NOTES:**
- INSULATOR MATERIAL: SEE PART NUMBER CODING.
 - CONTACT MATERIAL: SEE PART NUMBER CODING.
 - PLATING: SEE PART NUMBER CODING.
 - OPERATING TEMPERATURE: SEE PART NUMBER CODING.
 - PROCESSING TEMP: SEE PART NUMBER CODING.
 - UL FLAMMABILITY RATING: 94V-0
 - OPERATING VOLTAGE: 950 VAC MINIMUM AT SEA LEVEL
 - CURRENT RATING: 3 AMP
 - CONTACT RESISTANCE: 30 MILLI OHMS MAX
 - INSULATION RESISTANCE: 5000 MEGA OHMS
 - DURABILITY: 500 CYCLES MIN
 - CONNECTOR IDENTIFICATION: THE PART SHALL BE MARKED WITH A PART NUMBER AND LOT CODE
 - BOARD THICKNESS ACCOMMODATED: $.062 \pm .008 [1.57 \pm 0.20]$
 - INSERTION FORCE: 8 OZ MAX PER CONTACT PAIR WHEN USING A $.062 [1.57]$ TEST BLADE
INTERNAL INSPECTION TO BE PER SULLIN'S WORK INSTRUCTION W17.3-01
 - WITHDRAWAL FORCE: 1 OZ MIN PER CONTACT PAIR USING $.062 [1.57]$ PCB

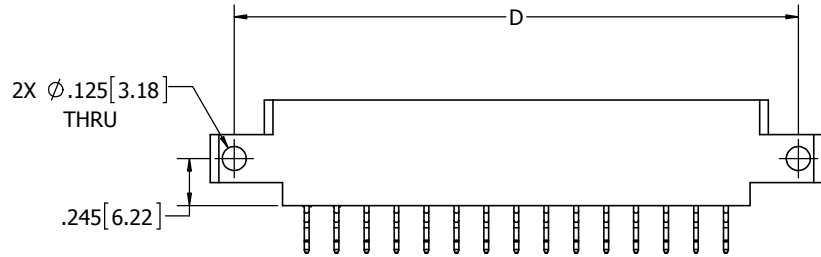
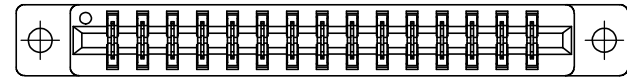


UNLESS OTHERWISE SPECIFIED: DIMENSIONS ARE IN INCHES (MM)	DRAWN	DATE	NAME	
		1/16/2014	JHSU	
TOLERANCES: ANGULAR: $\pm 1^\circ$ DECIMALS .XX = $\pm .02 [5]$.XXX = $\pm .005 [13]$.XXXX = $\pm .0005 [013]$	<small>THE INFORMATION HEREIN CONTAINS PROPRIETARY INFORMATION OF SULLINS ELECTRONICS AND IS NOT TO BE REPRODUCED, USED OR DISCLOSED TO OTHERS FOR ANY PURPOSE EXCEPT AS SPECIFICALLY AUTHORIZED IN WRITING BY AN OFFICER OF SULLINS ELECTRONICS.</small>			TITLE
				EDGECARD, .156 CC, HP
PART NUMBER				REV
-- M -- DSKH (-S38, S81, S328)				A
SIZE	CAGE CODE	DWG. NO.	REV	
C	54453		A	
SCALE: 3:1	SHEET 1 OF 3			

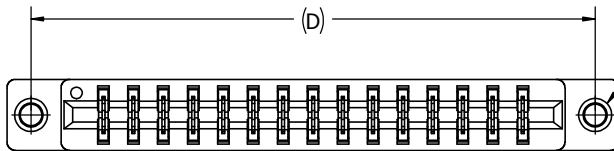
CUSTOMER COPY



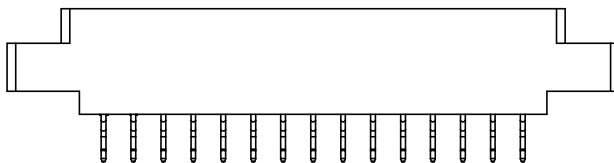
___ M ___ DSKN



___ M ___ DSKS



2X #4-40
THREADED INSERT



___ M ___ DSKI

CUSTOMER COPY



RoHS COMPLIANT

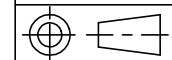
UNLESS OTHERWISE SPECIFIED:
DIMENSIONS ARE IN INCHES (MM)

TOLERANCES:
ANGULAR: $\pm 1^\circ$

DECIMALS
.XX = $\pm .02$ [.5]
.XXX = $\pm .005$ [.13]
.XXXX = $\pm .0005$ [.013]

DRAWN	DATE	NAME
	1/16/2014	JHSU

THE INFORMATION HEREIN CONTAINS PROPRIETARY INFORMATION OF SULLINS ELECTRONICS AND IS NOT TO BE REPRODUCED, USED OR DISCLOSED TO OTHERS FOR ANY PURPOSE EXCEPT AS SPECIFICALLY AUTHORIZED IN WRITING BY AN OFFICER OF SULLINS ELECTRONICS.



SULLINS CONNECTOR SOLUTIONS			
TITLE EDGE CARD, .156 CC, HP			
PART NUMBER ___ M ___ DSK _ (-S38, S81, S328)			
SIZE C	CAGE CODE 54453	DWG. NO. C12337	REV A
SCALE: 2:1		SHEET 2 OF 3	

PART NUMBER	NO. OF POS.	DIMENSIONS											
		A ± .008[0.20]		B ± .008[0.20]		C ± .015[0.38]		D ± .010[0.38]		E ± .020[0.51]		F ± .015[0.38]	
		IN	MM	IN	MM	IN	MM	IN	MM	IN	MM	IN	MM
M06DSK	6	0.780	19.81	1.102	27.99	1.221	31.01	1.534	38.96	1.784	45.31	1.030	26.16
M08DSK	8	1.092	27.74	1.414	35.92	1.533	38.94	1.846	46.89	2.096	53.24	1.342	34.09
M10DSK	10	1.404	35.66	1.726	43.84	1.845	46.86	2.158	54.81	2.408	61.16	1.654	42.01
M12DSK	12	1.716	43.59	2.038	51.77	2.157	54.79	2.470	62.74	2.720	69.09	1.966	49.94
M15DSK	15	2.184	55.47	2.506	63.65	2.625	66.68	2.938	74.63	3.188	80.98	2.434	61.82
M18DSK	18	2.652	67.36	2.974	75.54	3.093	78.56	3.406	86.51	3.656	92.86	2.902	73.71
M20DSK	20	2.964	75.29	3.286	83.46	3.405	86.49	3.718	94.44	3.968	100.79	3.214	81.64
M22DSK	22	3.276	83.21	3.598	91.39	3.717	94.41	4.030	102.36	4.280	108.71	3.526	89.56
M24DSK	24	3.588	91.14	3.910	99.31	4.029	102.34	4.342	110.29	4.592	116.64	3.838	97.49
M25DSK	25	3.744	95.10	4.066	103.28	4.185	106.30	4.498	114.25	4.748	120.60	3.994	101.45
M28DSK	28	4.212	106.98	4.534	115.16	4.653	118.19	4.966	126.14	5.216	132.49	4.462	113.33
M30DSK	30	4.524	114.91	4.846	123.09	4.965	126.11	5.278	134.06	5.528	140.41	4.774	121.26
M31DSK	31	4.680	118.87	5.002	127.05	5.121	130.07	5.434	138.02	5.684	144.37	4.930	125.22
M36DSK	36	5.460	138.68	5.782	146.86	5.901	149.89	6.214	157.84	6.464	164.19	5.710	145.03
M40DSK	40	6.084	154.53	6.406	162.71	6.525	165.74	6.838	173.69	7.088	180.04	6.334	160.88
M43DSK	43	6.552	166.42	6.874	174.60	6.993	177.62	7.306	185.57	7.556	191.92	6.802	172.77
M47DSK	47	7.176	182.27	7.498	190.45	7.617	193.47	7.930	201.42	8.180	207.77	7.426	188.62
M50DSK	50	7.644	194.16	7.966	202.34	8.085	205.36	8.398	213.31	8.648	219.66	7.894	200.51

PART NUMBER

M DSK S

MODIFICATION CODE

- OMIT FOR STANDARD, EX: 'EBM22DSKH'
- S38 = BLACK PBT (MATL CODE E AND H ONLY)
- S81 = GREEN PBT (MATL CODE E AND H ONLY)
- S328 = BROWN PPS (MATL CODE R AND A ONLY)

MOUNTING STYLE

- H = .125 DIA. CLEARANCE HOLES (PAGE 1)
- I = #4-40 THREADED INSERT (PAGE 2)
- S = .125 DIA. SIDE MOUNTING (PAGE 2)
- N = NO MOUNTING EARS (PAGE 2)

NUMBER OF POSITIONS

(CONTACTS PER ROW)

PLATING

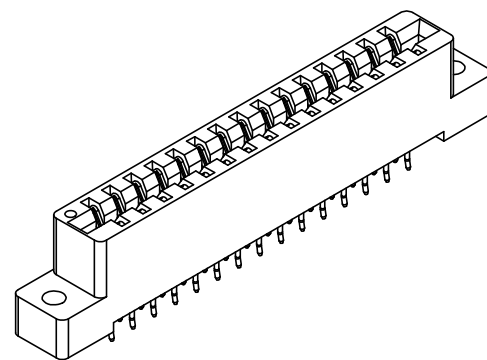
ALL PLATINGS HAVE .000050" NICKEL UNDERPLATE

- | | |
|---|--------------------------|
| CONTACT SURFACE | TERMINATION |
| G = .000010" GOLD | .000005" GOLD |
| Y = .000030" GOLD | .000005" GOLD |
| B = .000010" GOLD | .000100" PURE TIN, MATTE |
| C = .000030" GOLD | .000100" PURE TIN, MATTE |
| **E = .000100" PURE TIN, MATTE, OVERALL | |
| S = .000010" GOLD OVERALL | |
| M = .000030" GOLD | .000010" GOLD OVERALL |

** OVERALL TIN ONLY AVAILABLE ON MATERIAL CODES E, R AND G

MATERIAL (INSULATOR/CONTACT)

- E = PBT/PHOSPHOR BRONZE**
OPERATING TEMP: -65°C TO +125°C
PROCESSING TEMP: 260°C FOR 10 SECS MAX
- R = PPS/PHOSPHOR BRONZE**
OPERATING TEMP: -65°C TO +125°C
PROCESSING TEMP: 260°C FOR 120 SECS MAX
- G = PA9T/PHOSPHOR BRONZE**
OPERATING TEMP: -65°C TO +125°C
PROCESSING TEMP: 260°C FOR 20 SECS MAX
- H = PBT/BERYLLIUM COPPER**
OPERATING TEMP: -65°C TO +125°C
PROCESSING TEMP: 260°C FOR 10 SECS MAX
- A = PPS/BERYLLIUM COPPER**
OPERATING TEMP: -65°C TO +150°C
PROCESSING TEMP: 260°C FOR 120 SECS MAX
- J = PA9T/BERYLLIUM COPPER**
OPERATING TEMP: -65°C TO +150°C
PROCESSING TEMP: 260°C FOR 20 SECS MAX
(CONSULT FACTORY FOR OTHER MATERIALS)



RoHS COMPLIANT

CUSTOMER COPY

UNLESS OTHERWISE SPECIFIED: DIMENSIONS ARE IN INCHES [MM]		DRAWN	DATE	NAME	
TOLERANCES: ANGULAR: ± 1° DECIMALS .XX = ± .02 [5] .XXX = ± .005 [13] .XXXX = ± .0005 [013]			1/16/2014	JHSU	
<small>THE INFORMATION HEREIN CONTAINS PROPRIETARY INFORMATION OF SULLINS ELECTRONICS AND IS NOT TO BE REPRODUCED, USED OR DISCLOSED TO OTHERS FOR ANY PURPOSE EXCEPT AS SPECIFICALLY AUTHORIZED IN WRITING BY AN OFFICER OF SULLINS ELECTRONICS.</small>					TITLE EDGECARD, .156 CC, HP
PART NUMBER M DSK (-S38, S81, S328)					SCALE 2:1
SIZE	CAGE CODE	DWG. NO.	REV		
C	54453	C12337	A		
SCALE: 2:1					SHEET 3 OF 3