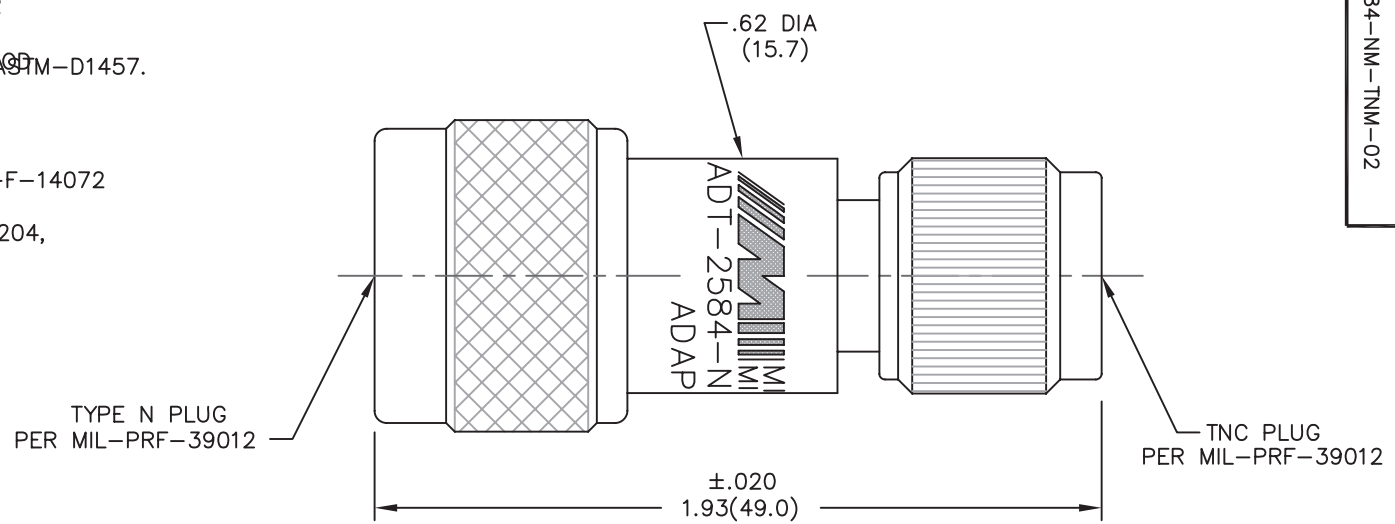


MODEL NUMBER
ADT-2584-NM-TNM-02

- NOTES:
- 1.0 MATERIALS:
 - 1.1 HOUSING & NUTS: STAINLESS STEEL PER ASTM-A582, TYPE 303.
 - 1.2 CENTER CONTACT: BERYLLIUM COPPER PER ASTM-D1457. ALLOY C172, PER ASTM-B196.
 - 1.3 DIELECTRIC: PTFE FLUOROCARBON PER
 - 2.0 PLATING:
 - 2.1 HOUSING & NUTS: PASSIVATED PER MIL-F-14072 AND QQ-P-35
 - 2.2 CENTER CONTACT: GOLD PER MIL-G-45204, TYPE II, CLASS 2.
 - 3.0 ELECTRICAL SPECIFICATION:
 - 3.1 FREQUENCY RANGE: DC to 18.0 GHz
 - 3.2 VSWR (MAXIMUM):
 - DC to 4.0 GHz: 1.04:1
 - 4.0 to 8.0 GHz: 1.07:1
 - 8.0 to 18.0 GHz: 1.12:1
 - 3.3 IMPEDANCE: 50 OHMS
 - 4.0 DIMENSIONS IN PARENTHESIS ARE IN MILLIMETERS
 - 5.0 MARKING: MARK UNIT AS SHOWN (REF.: INK-02669-27-09)



DWG NO. WAS: 02409-01-00

REV.	DESCRIPTION	DATE
1	RELEASED	8/9/78
A	ECR 6545	6/28/89
B	ECR 6933	4/4/90
B1	ADD OUTLINE SPECS.	8/10/90
B2	UPDATE MOD. NO.	2/21/91
C	REDRAW ON CAD	11/30/92
C1	ADDED TITLEBLOCK	3/9/05

UNLESS OTHERWISE NOTED DIMENSIONS ARE IN INCHES AND TOLERANCES ARE: 3 PLACE DECIMALS ±.005 2 PLACE DECIMALS ±.02 FRACTIONS ±1/64 PARALLELITY: T.I.R. _____ FLATNESS: T.I.R. _____ CONCENTRICITY: T.I.R. _____ ANGLES AND PERPENDICULARITY: ±1'	FSCM NO. 34078	MIDWEST MICROWAVE	
	NOTICE: The information contained in this drawing is proprietary and must not be used without the permission of Midwest Microwave	TITLE TYPE N MALE TO TNC MALE ADAPTER OUTLINE DRAWING	
DRAWN/DATE A.BEATTY 11/30/92	ENG./DATE A.OSGA 12/4/92	DRAWING NUMBER ADT-2584-NM-TNM-02-01	REV. C1
CHECKED/DATE M.HOLLMAN 12/3/92	APPROVED/DATE	SCALE: 5=1	SHEET 1 of 1