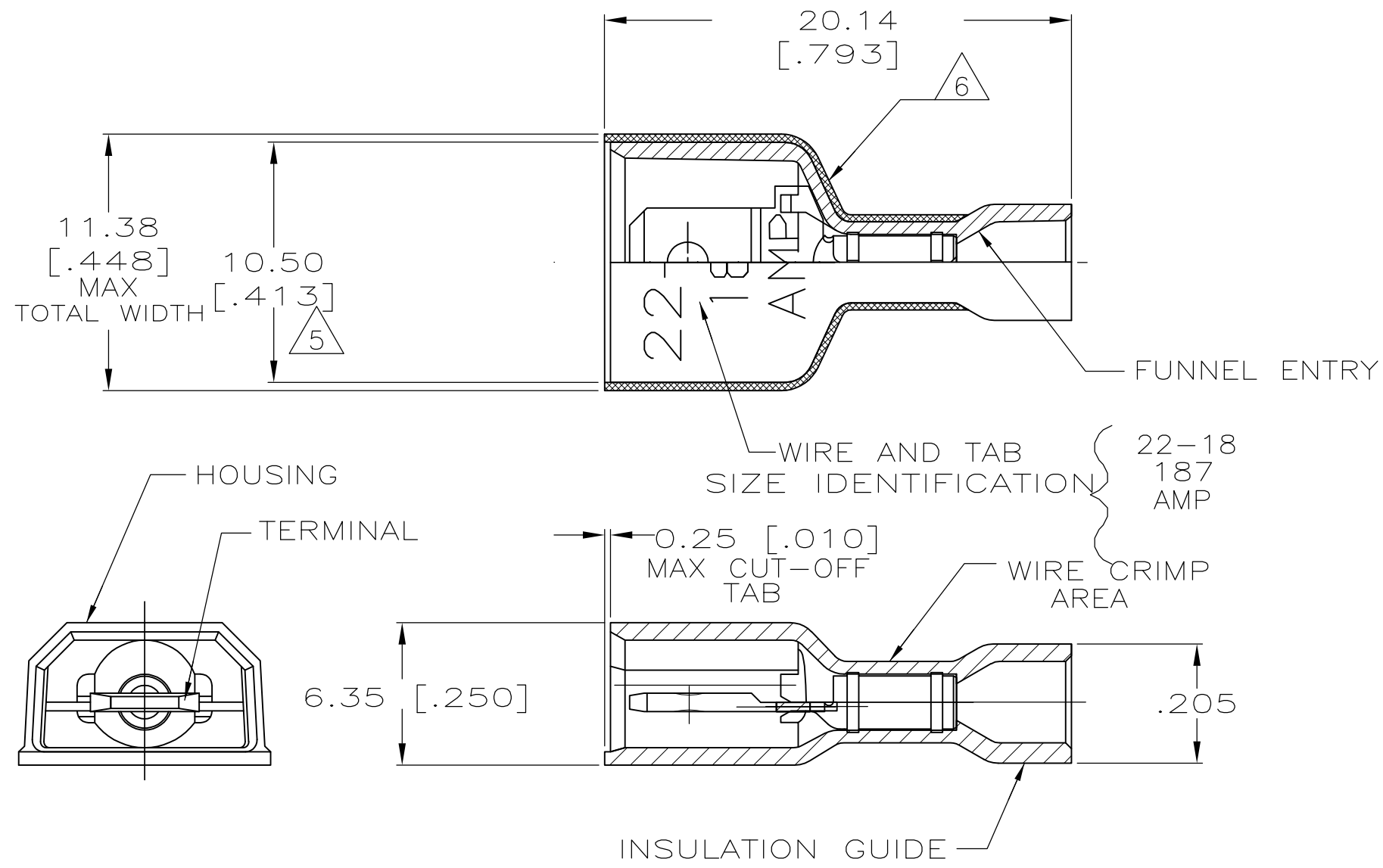


THIS DRAWING IS UNPUBLISHED. RELEASED FOR PUBLICATION
 © COPYRIGHT - By - ALL RIGHTS RESERVED.

LOC	DIST	REVISIONS			
P	LTR	DESCRIPTION	DATE	DWN	APVD
AF	50	B	REVISED PER ECR-12-005303	24JUL12	KH KR



- 1 TAB DIMENSIONS .032±.001x.187
- 2 WIRE STRIP LENGTH .281
- 3 INSULATION SIZE .135 MAX DIA
- 4 SUPPLIED IN LOOSE PIECE.
- △5 DIMENSION DOES NOT INCLUDE TRIM BURR
- △6 0.38[.015] MAX CARRIER TRIM BURR PER SIDE IS ALLOWABLE IN THE SHADED AREA

HOUSING: NYLON, COLOR-RED TRANSLUCENT
 TAB: #3 HARD BRASS, TIN

MATERIAL & FINISH PART NUMBER 2-521105-2

THIS DRAWING IS A CONTROLLED DOCUMENT.		DWN	JR RUTH	9/25/95	STE TE Connectivity
DIMENSIONS: mm [INCHES]		CHK	MS FEHER	9/25/95	
TOLERANCES UNLESS OTHERWISE SPECIFIED:		APVD	J WORMAN	9/25/95	
0 PLC ± - 1 PLC ± - 2 PLC ± 0.38 [.015] 3 PLC ± - 4 PLC ± - ANGLES ± -		PRODUCT SPEC	108-2017		
MATERIAL SEE TABLE		FINISH	SEE TABLE		NAME
				APPLICATION SPEC	TAB ASSEMBLY, ULTRA-FAST, 4.75 [.187] SERIES, 22-18 AWG
				114-2123	SIZE
				WEIGHT -	A3
				CUSTOMER DRAWING	CAGE CODE 00779
				SCALE 4:1	DRAWING NO C-521105
				SHEET 1 OF 1	RESTRICTED TO -
				REV B	