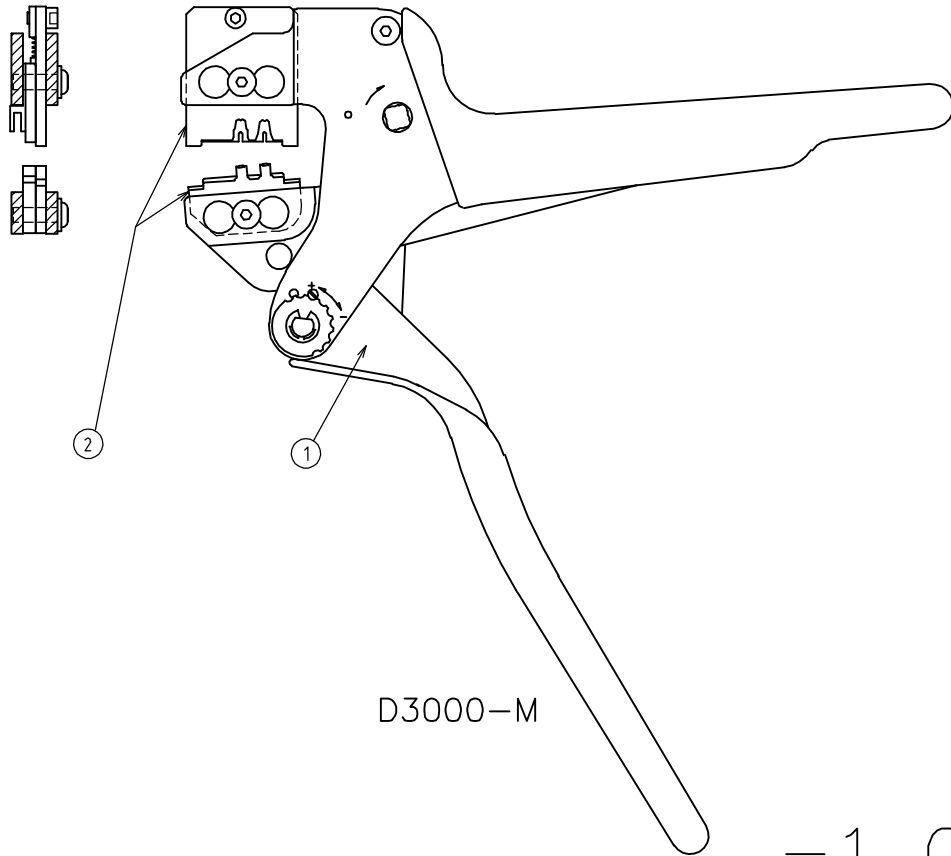


LOC J	DIST —	REVISIONS 変更			DATE	DWN	APVD
		P	LTR	DESCRIPTION			
			A	RELEASED	17AUG05	S.N	S.Y

TERMINAL No.	WIRE SIZE AWG#	INS. RANGE (mm)	TERMINAL CH (mm)		IS. No.
			WIRE	INS.	
175217 (REC)	#24	ø1.2-ø1.6	0.90-1.08	2.45 REF	411-78206
175288 (TAB)	#22	ø1.7-ø2.6	0.97-1.13	2.70 REF	
	#20		0.97-1.24		



D3000-M

-1 ONLY

1	1762955-1	DIE ASSY	2
1	9-1478240-0	ERGOCRIMP HAND TOOL	1
-1	PART NO.	NAME	ITEM NO.


RELEASED FOR PUBLICATION

ALL RIGHTS RESERVED.

BY TYCO ELECTRONICS CORPORATION.

© COPYRIGHT

THIS DRAWING IS UNPUBLISHED.

DIMENSIONS: 単位: 耗 mm	DWN S.NAKA	17.AUG.2005	MATERIAL 材料	—	FINISH 仕上	—
	CHK S.NAKA	17.AUG.2005	 Tyco Electronics AMP K.K. Kawasaki, Japan			
TOLERANCES UNLESS OTHERWISE SPECIFIED: 一般公差	APVD S.YABE	17.AUG.2005				
0 PLC ± -	PRODUCT SPEC 製品規格	—	NAME 名称	PEW12 HAND TOOL		
1 PLC ± -	APPLICATION SPEC 取付適用規格	114-5148	SIZE	CAGE CODE	DRAWING NO 番号	RESTRICTED TO
2 PLC ± -	WEIGHT	650g	A4	00779	1762954	—
3 PLC ± -	CUSTOMER DRAWING		SCALE 尺度	1:2	SHEET	1 OF 1
4 PLC ± -						REV A
ANGLES ± -	