

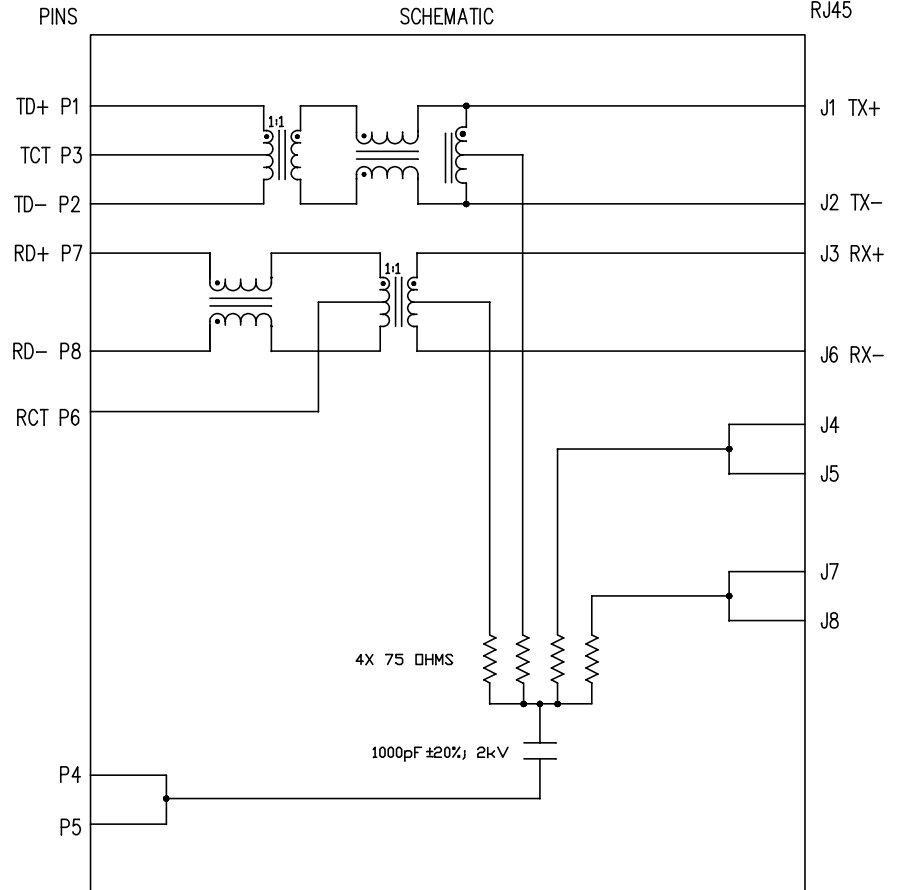
THE INFORMATION CONTAINED HEREIN IS CONSIDERED "PROPRIETARY" TO BEL FUSE INC. AND SHALL NOT BE COPIED, REPRODUCED OR DISCLOSED WITHOUT THE WRITTEN APPROVAL OF BEL FUSE INC.

RoHS  
2002/95/EC



ELECTRICAL CHARACTERISTICS @ 25° C

- |                |  |  |
|----------------|--|--|
| 1.0            | URNS RATIO: (P8-P6-P7) : (J6-J3)                 | : 1CT : 1 ± 3%                           |
|                | (P2-P3-P1) : (J2-J1)                             | : 1CT : 1 ± 3%                           |
| 2.0            | INDUCTANCE: (P7-P8)                              | : 350uH MIN. @ 0.1V, 100KHz, 8mA DC Bias |
|                | (P1-P2)  | : 350uH MIN. @ 0.1V, 100KHz, 8mA DC Bias |
| 3.0            | LEAKAGE INDUCTANCE: P8-P7 (WITH J6 AND J3 SHORT) | : 0.3uH MAX. @ 1MHz                      |
|                | P2-P1 (WITH J2 AND J1 SHORT)                     | : 0.3uH MAX. @ 1MHz                      |
| 4.0            | INTERWINDING CAPACITANCE: (P8,P6,P7) TO (J6,J3)  | : 30pF MAX @ 1MHz                        |
|                | (P3,P2,P1) TO (J2,J1)                            | : 30pF MAX. @ 1MHz                       |
| 5.0            | DC RESISTANCE: (J1-J2)                           | : 1.2 ohms Max.                          |
|                | (P8-P7)  | : 1.2 ohms Max.                          |
| <u>RECEIVE</u> |  |  |
| 6.0            | RETURN LOSS: 1MHz TO 30MHz                       | : -18dB MIN.                             |
|                | 30MHz TO 60MHz                                   | : -(19-20 LOG (f/30MHz))                 |
|                | 60MHz TO 80MHz                                   | : -12dB MIN.                             |
| 7.0            | DIELECTRIC WITHSTAND: (J1, J2) TO (P1, P3)       | : 1500 Vrms                              |
|                | (J3, J6) TO (P8,P7)                              | : 1500 Vrms                              |
| 8.0            | INSERTION LOSS: RS=RL=100 ohms                   |  |
|                | 1MHz TO 65MHz                                    | : -1.0 dB MAX                            |
|                | 65MHz TO 100MHz                                  | : -1.1 dB MAX                            |
| 9.0            | RISE TIME: RS=100 OHMS AND RL = 100 OHMS         |  |
|                | OUTPUT VOLTAGE = 1 V peak                        | : 3.0 nS MAX                             |
|                | PULSE WIDTH= 112nS                               | : 3.0 nS MAX                             |
| 10.0           | CROSS TALK: 1MHz TO 100MHz                       | : -35 dB TYP                             |
| 11.0           | COMMON TO COMMON MODE ATTENUATION:               |  |
|                | 1MHz TO 100MHz                                   | : -45dB TYP                              |
|                | 100MHz TO 200MHz                                 | : -20dB MIN                              |



NOTES

- 1.0 PINS WITHOUT ELECTRICAL CONNECTION ARE OMITTED.  
2.0 ALL RESISTORS ARE ±5% TOLERANCE.

ORIGINATED BY	DATE
Zeng Xiao Chun	07-04-2011
DRAWN BY	DATE
Zhang Ru Sheng	07-04-2011

TITLE

**MagJack®**

10/100BT

TAB DOWN SHIELDED

PATENTED

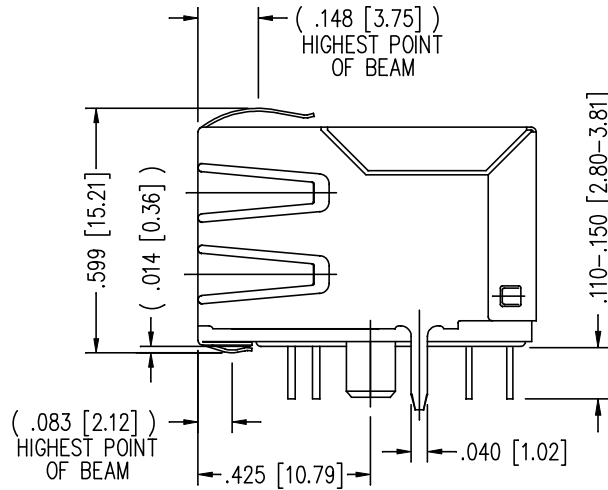
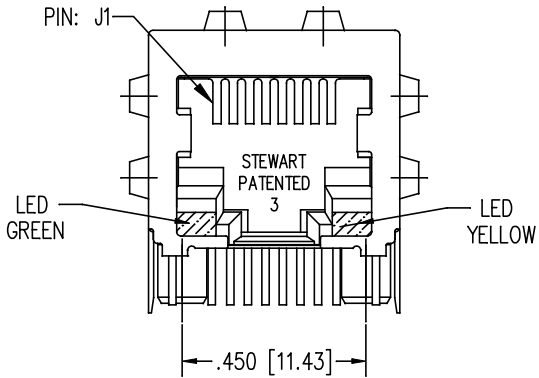
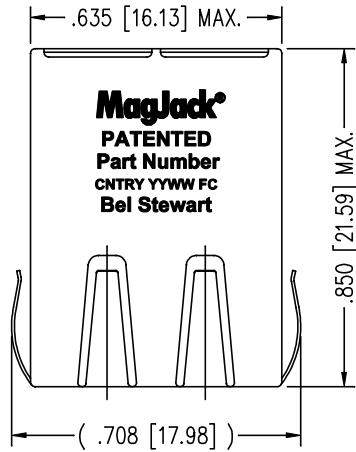
PART NO. / DRAWING NO.	STANDARD DIM.
SI-60120-F	TOL. IN INCH
FILE NAME	.X
SI-60120-F.DWG	.XX
	.XXX
	±0.005

[ ] METRIC DIM. AS REFERENCE	REV. : A0
UNIT : INCH [mm]	SIZE : A4
SCALE : N/A	PAGE : 2

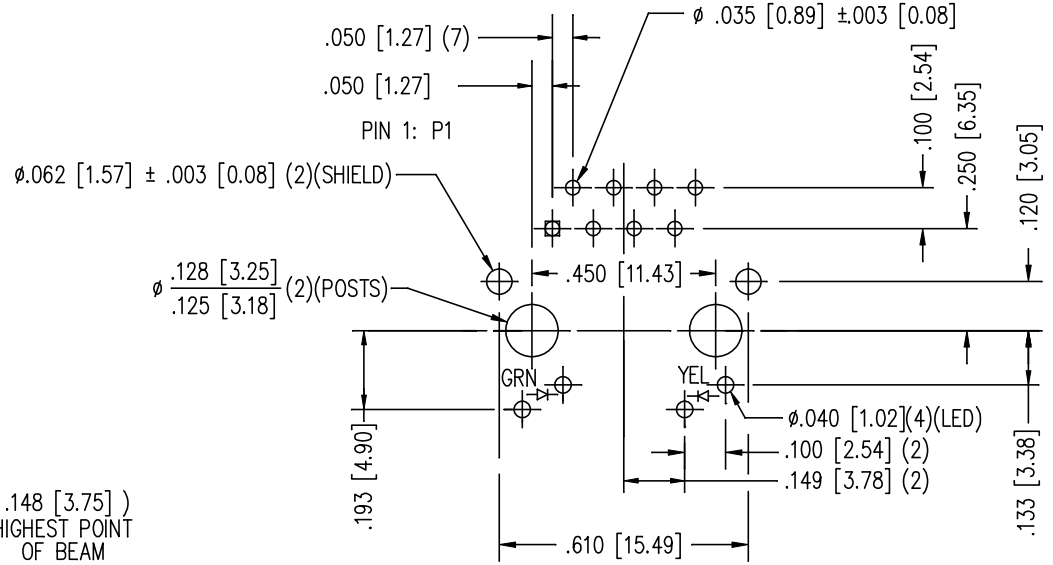
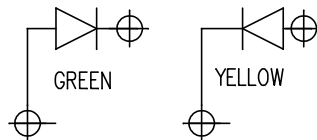


THE INFORMATION CONTAINED HEREIN IS CONSIDERED "PROPRIETARY" TO BEL FUSE INC. AND SHALL NOT BE COPIED, REPRODUCED OR DISCLOSED WITHOUT THE WRITTEN APPROVAL OF BEL FUSE INC.

RoHS  
2002/95/EC



LED POLARITY DETAIL



P.C.B. RECOMMENDED HOLE LAYOUT  
SEEN FROM COMPONENT SIDE  
ALL CENTERLINE DIMENSIONS ARE BASIC

NOTES:

- CONNECTOR MATERIALS:  
HOUSING: THERMOPLASTIC UL94 V-0  
CONTACT/SHIELD: COPPER ALLOY  
SHIELD PLATING: NICKEL OR TIN  
CONTACT PLATING: SELECTIVE GOLD,  
50 MICRO-INCHES MIN. IN CONTACT AREA.
- PIN NOT ELECTRICALLY CONNECTED MAYBE OMITTED.  
SEE ELECTRICAL DRAWING FOR OMITTED PINS.
- TOLERANCES COMPLY WITH F.C.C. DIMENSION REQUIREMENTS.
- ALL TOLERANCES NOT OTHERWISE SPECIFIED TO BE ±.005 [0.13]
- REFLOW AND WAVE SOLDER COMPATIBLE -260°C FOR 10 SECONDS MAX.

LED SPECIFICATION			
STANDARD LED	WAVELENGTH	FORWARD V (MAX)	* (TYP)
GREEN	565 nm	2.5 V	2.2 V
YELLOW	590 nm	2.5 V	2.1 V

\*WITH A FORWARD CURRENT OF 20 mA (TYP)

ORIGINATED BY	DATE
Zeng Xiao Chun	07-04-2011
DRAWN BY	DATE
Zhang Ru Sheng	07-04-2011

TITLE
<b>MagJack®</b> 10/100BT TAB DOWN SHIELDED PATENTED

PART NO. / DRAWING NO.
SI-60120-F
FILE NAME
SI-60120-F.DWG

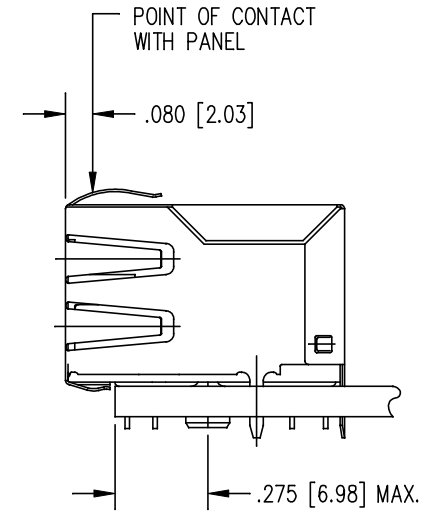
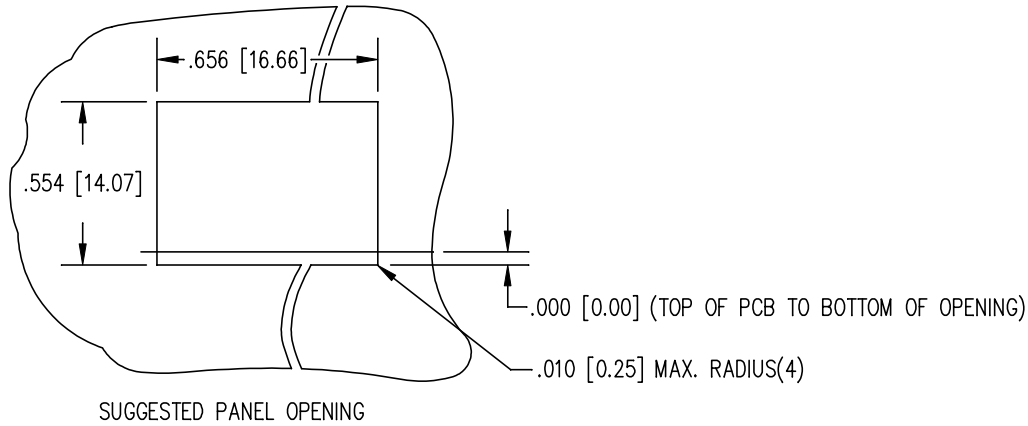
STANDARD DIM.	TOL. IN INCH
.X	
.XX	
.XXX	±.005

[ ] METRIC DIM. AS REFERENCE	
UNIT : INCH [mm]	REV. : A0
SCALE : N/A	SIZE : A4
	PAGE : 3



THE INFORMATION CONTAINED HEREIN IS CONSIDERED "PROPRIETARY" TO BEL FUSE INC. AND SHALL NOT BE COPIED, REPRODUCED OR DISCLOSED WITHOUT THE WRITTEN APPROVAL OF BEL FUSE INC.

RoHS  
2002/95/EC



1. THE SUGGESTED PANEL OPENING IS INTENDED TO GIVE THE USER THE ABILITY TO HAVE REASONABLE JACK / PANEL CLEARANCES YET MAINTAIN RELIABLE GROUNDING CAPABILITY.
2. ALL TOLERANCES NOT OTHERWISE SPECIFIED TO BE  $\pm 0.005$  [0.13]

ORIGINATED BY <b>Zeng Xiao Chun</b>	DATE <b>07-04-2011</b>	TITLE <b>MagJack® 10/100BT TAB DOWN SHIELDED PATENTED</b>	PART NO. / DRAWING NO. <b>SI-60120-F</b>		STANDARD DIM. TOL. IN INCH		[ ] METRIC DIM. AS REFERENCE		<b>bel</b> COMPONENTS OR A CONNECTED PLANET
			FILE NAME <b>SI-60120-F.DWG</b>		.X		UNIT : INCH [mm]	REV. : A0	
DRAWN BY <b>Zhang Ru Sheng</b>	DATE <b>07-04-2011</b>				.XX		SCALE : N/A	SIZE : A4	
					.XXX	$\pm 0.005$		PAGE : 4	