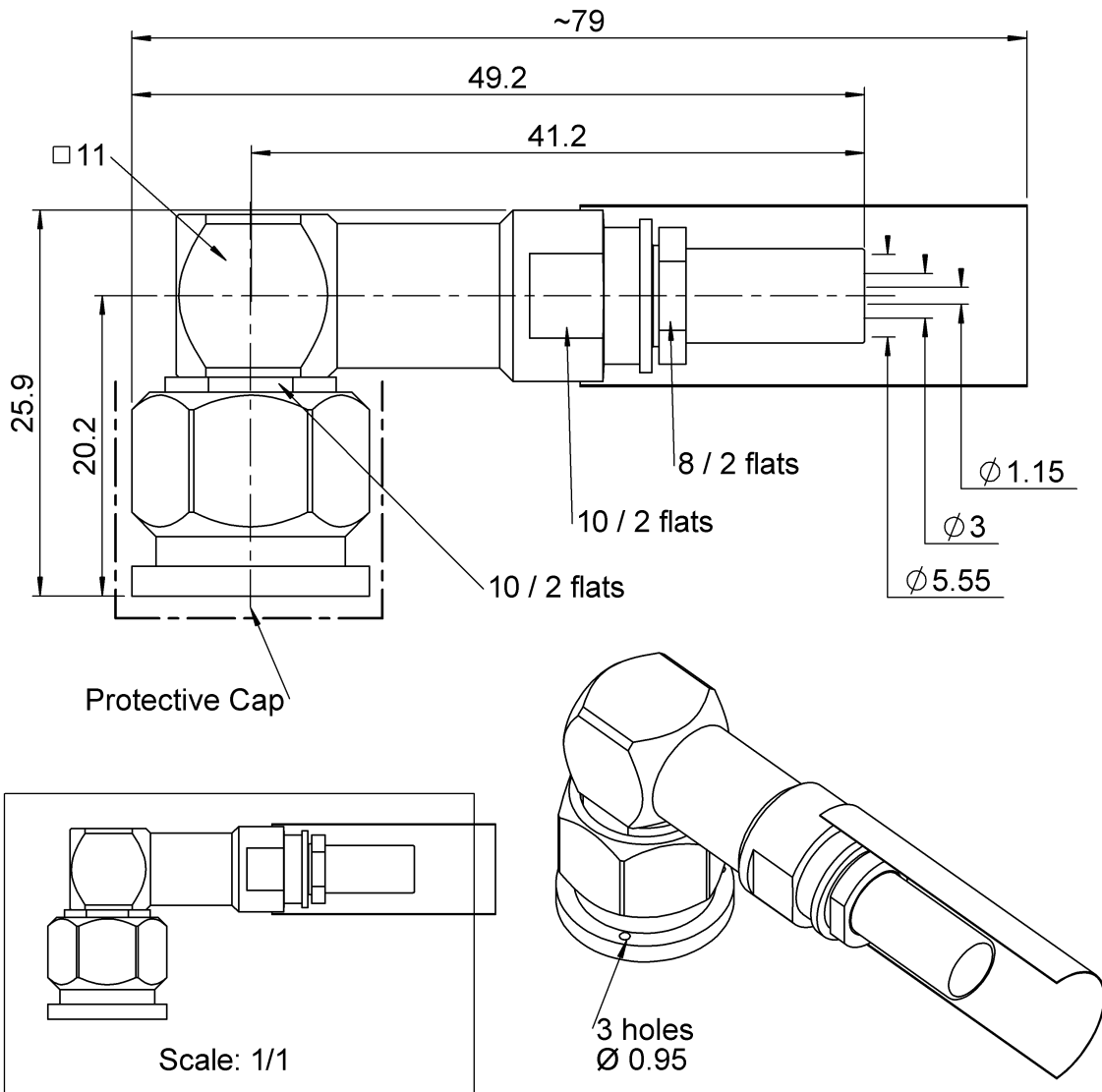
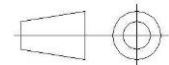


PAGE 1/3	ISSUE 02-12-15D	SERIES TNC	PART NUMBER R143183300
----------	-----------------	------------	------------------------



All dimensions are in mm.



COMPONENTS	MATERIALS	PLATING (µm)
Body	STAINLESS STEEL	PASSIVATED.
Center contact	BERYLLIUM COPPER, BRASS	GOLD 0.5 OVER NICKEL 2
Outer contact	STAINLESS STEEL.	PASSIVATED.
Insulator	PTFE	
Gasket	SILICONE RUBBER	
Others parts	STAINLESS STEEL	PASSIVATED.
-	-	-
-	-	-

PAGE 2/3	ISSUE 02-12-15D	SERIES TNC	PART NUMBER R143183300
-----------------	------------------------	-------------------	-------------------------------

PACKAGING

Standard	Unit	Other
1	Contact us	Contact us

ELECTRICAL CHARACTERISTICS

Impedance	50	Ω
Frequency	0-6	GHz
VSWR	1.35 + 0,0000	x F(GHz) Maxi
Insertion loss	0.1	√F(GHz) dB Maxi
RF leakage	- (57*)	- F(GHz)) dB Maxi
Voltage rating	500	Veff Maxi
Dielectric withstanding voltage	1000	Veff mini
Insulation resistance	5000	MΩ mini

MECHANICAL CHARACTERISTICS

Center contact retention			
Axial force – Mating End	27	N mini	
Axial force – Opposite end	27	N mini	
Torque	NA	N.cm mini	
Recommended torque			
Mating	265	N.cm	
Panel nut	NA	N.cm	
Clamp nut	370	N.cm	
A/F clamp nut	8,0000	mm	
Mating life	500	Cycles mini	
Weight	29,4700	g	

ENVIRONMENTAL

Operating temperature	-65/+165	°C
Hermetic seal	NA	Atm.cm3/s
Panel leakage	NA	

SPECIFICATION

ASNE0461-FC01 - -

CABLE ASSEMBLY

Stripping	a	b	c	d	e	f
mm	9	9	23	0	0	0

Assembly instruction:

Recommended cable(s)

RG 400
RG 223
KX 23
RG 142 BU
RG 142 FTX

Characteristics indicated on this data sheet are those that can be achieved with the highest performance cable. Intrinsic limitations of the cable may diminish the performance of the assembly

Cable retention

- pull off	220	N mini
- torque	NA	N.cm

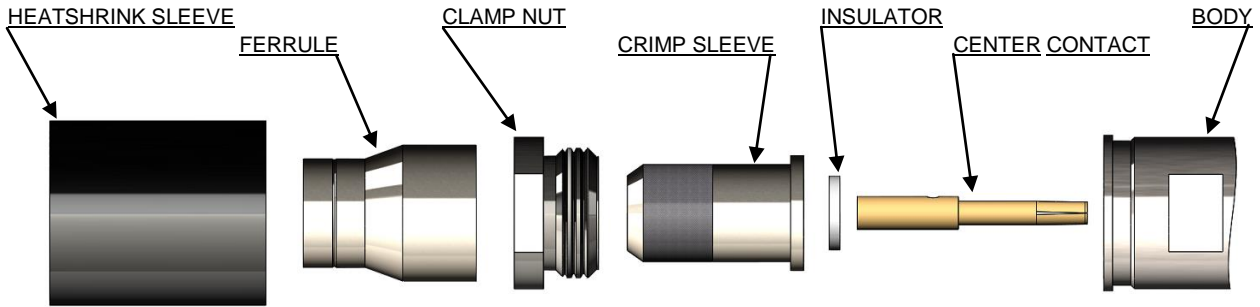
TOOLING

Part Number	Description	Hexagon
R282223000	CRIMPING TOOL	5.41
R282246000	CRIMPING DIES M22520/5-05	5.41
R282293000	CRIMPING TOOL M22520/5-01	-
282291	CRIMPING TOOL M22520/1-01	2 x 4 (pos 7)
282997	POSITIONER FOR TOOL 282.291(M22520/1-13)	Red position

OTHER CHARACTERISTICS

***Up to 3GHz**

PAGE 3/3	ISSUE 02-12-15D	SERIES TNC	PART NUMBER R143183300
----------	-----------------	------------	------------------------



1

Slide onto the cable, the heatshrink sleeve and the ferrule
Strip the cable.
Optionally, to facilitate the stripping of the inner cable, the length "a" could be stripped after crimping of the ferrule.

2

Slide the clamp nut onto the crimp sleeve.
Slide sub-assembly under the braid.
Slide ferrule over the braid against clamp nut (In direction F)
Crimp the ferrule with crimping tool + dies.

3

The dielectric must be in the same plane as the face of the crimp sleeve. Cut the dielectric flush to crimp sleeve if it exceeds. Clean the dielectric side.
Mount insulator against crimp sleeve.

4

Slide the center contact onto the cable inner conductor against insulator.
Crimp the center contact with the crimping tool and the positioner.

5

Screw sub-assembly into the connector body.
(recommended coupling see the connector TDS)
Slide sleeve heatshrink over ferrule and put in the place as below