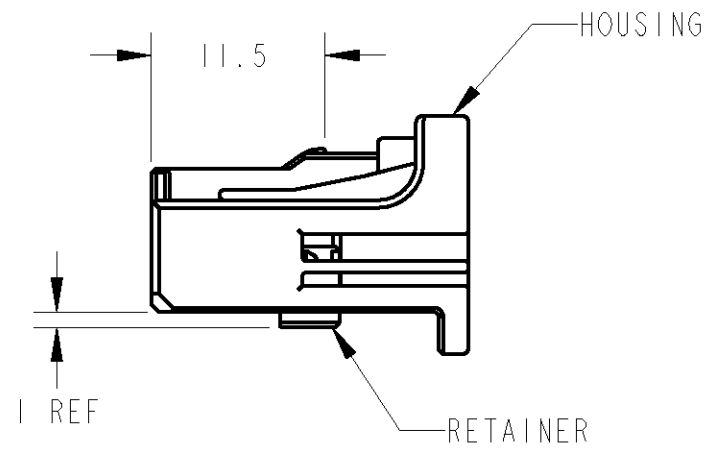
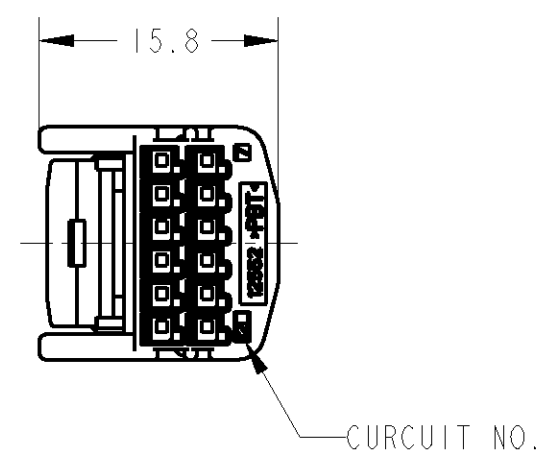
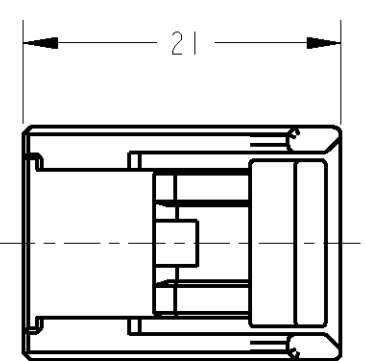
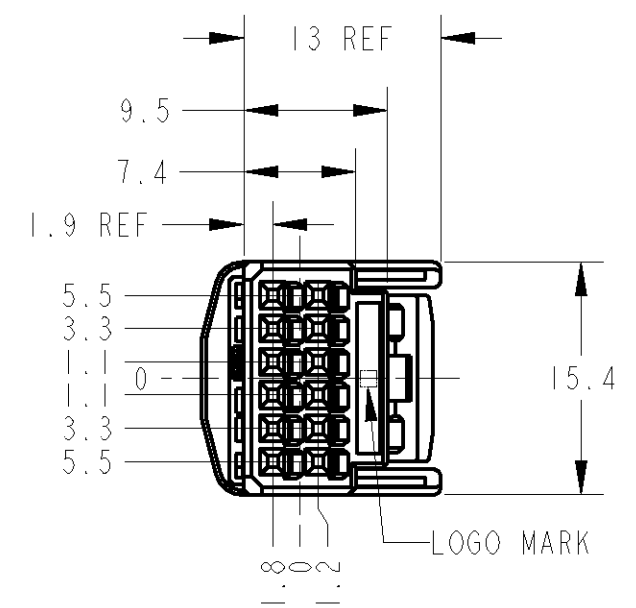


THIS DRAWING IS UNPUBLISHED. RELEASED FOR PUBLICATION 2004
 © COPYRIGHT 2004 BY TYCO ELECTRONICS CORPORATION. ALL RIGHTS RESERVED.

LOC	DIST	REVISIONS						
		P	LTR	DESCRIPTION	ECN	DATE	DWN	APVD
J	-		0	RELEASED	FJA0-0067-04	26JAN04	SA	KA
			01	ADDED -2	FJA0-0266-04	27APR04	TS	KB
			02	ADDED -3	ECR-05-006775	14JUL05	AY	HY
			A	REVISED	ECR09-023330	19NOV09	TS	KB



1. RETAINER SHOULD BE SENT TO THE PRE-ASSEMBLY.
 2. INSTRUCTION SHEET NO. 411-78080.
 3. PART NUMBER OF CAP HOUSING TO BE MATED : SEE TABLE-1
 4. APPLIED TERMINALS : SEE TABLE-2
1. プラグハウジングにリテーナを仮係止して出荷される
 2. 取扱説明書NO. 411-78080
 3. 嵌合相手型番 : TABLE-1参照
 4. 適用端子 : TABLE-2参照

TABLE-1

POS 極数	CAP ASSEMBLY PART NO. キャップ 型番
12	W-W 1565894
	W-B 1318772

TABLE-2

	TERMINAL NO. 端子型番	APPLICABLE WIRE RANGE 適用電線
SIGNAL 0.64111	TIN 1674311-1	AVSS/CAVS/CAVUS/AVSSH-f
	SELECTIVE GOLD 1674311-2	0.3~0.5mm ²

PACKING STYLE 梱包形態	COLOR	PART NUMBER
PAPER BOX ダンボール	GRAY	1717106-3
PLASTIC BAG ビニール袋	BLACK	1717106-2
PAPER BOX ダンボール	NATURAL	1717106-1
OUTER 外表	INNER 内装	

THIS DRAWING IS A CONTROLLED DOCUMENT FOR TYCO ELECTRONICS CORPORATION
 IT IS SUBJECT TO CHANGE AND THE CONTROLLING ENGINEERING ORGANIZATION
 SHOULD BE CONTACTED FOR THE LATEST REVISION.

DWN S. AMEMIYA 26JAN04	Tyco Electronics Corporation Kawasaki, Japan	
CHK H. YAMAGAMI 26JAN04	NAME 0.64111 12P PLUG HOUSING ASSEMBLY	
APVD K. ASAI 26JAN04	PRODUCT SPEC 108-5931	RESTRICTED TO
	APPLICATION SPEC 114-5329	SIZE A3
	WEIGHT 2.2 g	CAGE CODE 00779
	CUSTOMER DRAWING	DRAWING NO. 1717106
DIMENSIONS: 単位: 概 mm	TOLERANCES UNLESS OTHERWISE SPECIFIED: 一般公差 ±0.3 0-PLC ± 1-PLC ±0.1 2-PLC ±0.01 3-PLC ±0.001 4-PLC ±0.0001 ANGLES ±3'00"	SCALE 尺度 2:1
MATERIAL 材料 PBT	FINISH 仕上 SEE TABLE	SHEET OF 1