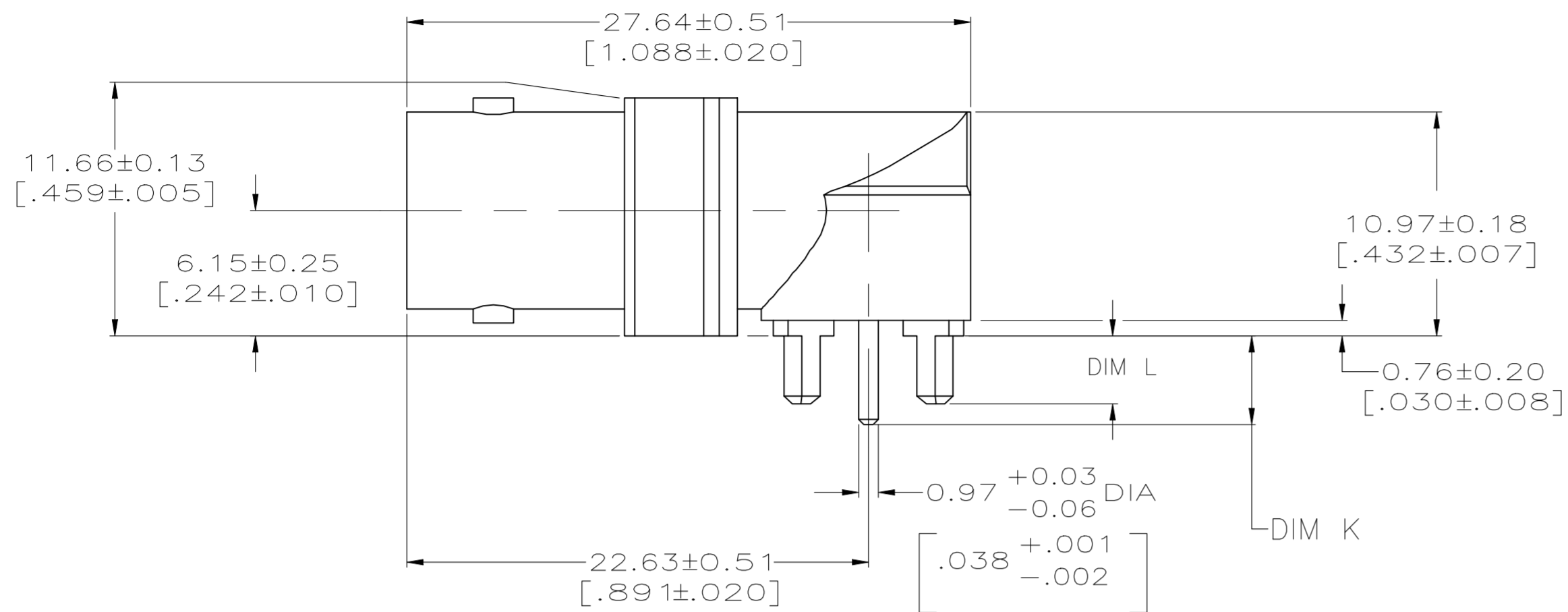
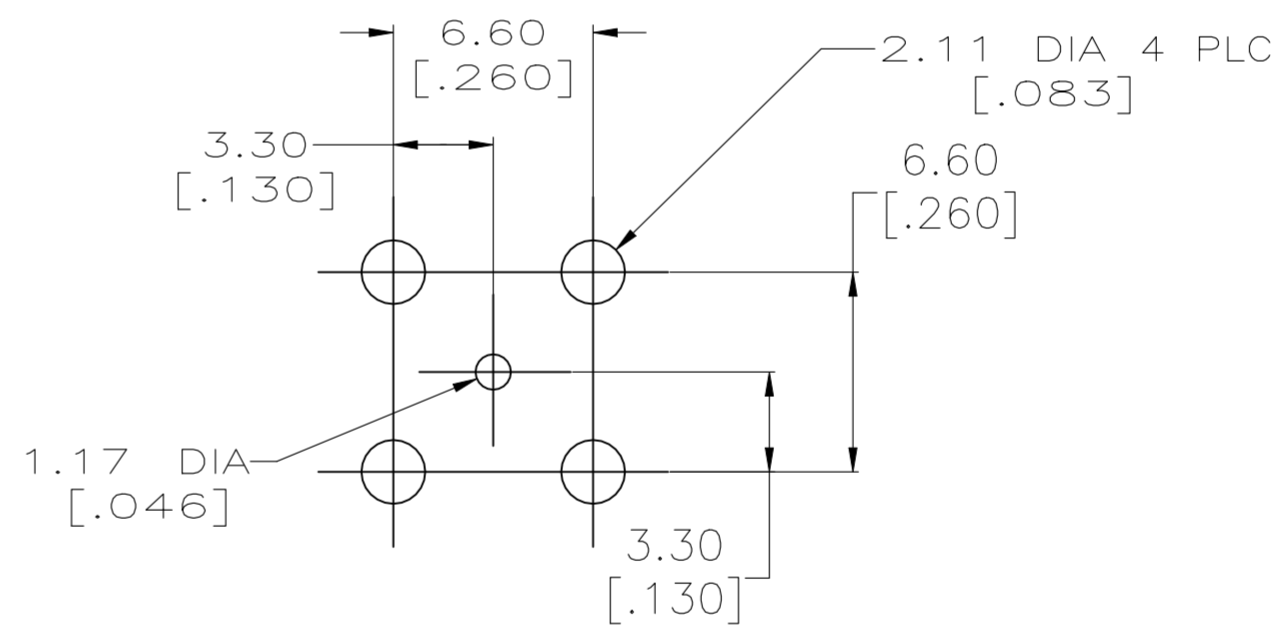
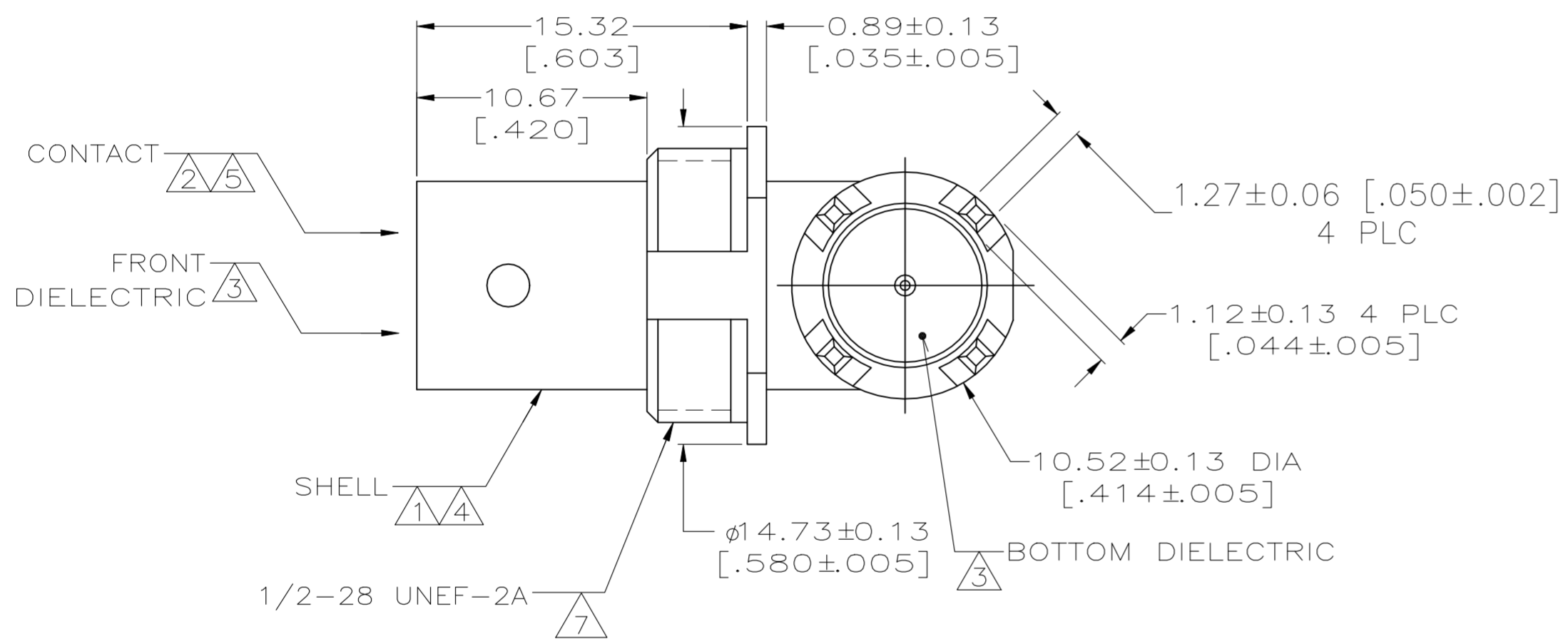


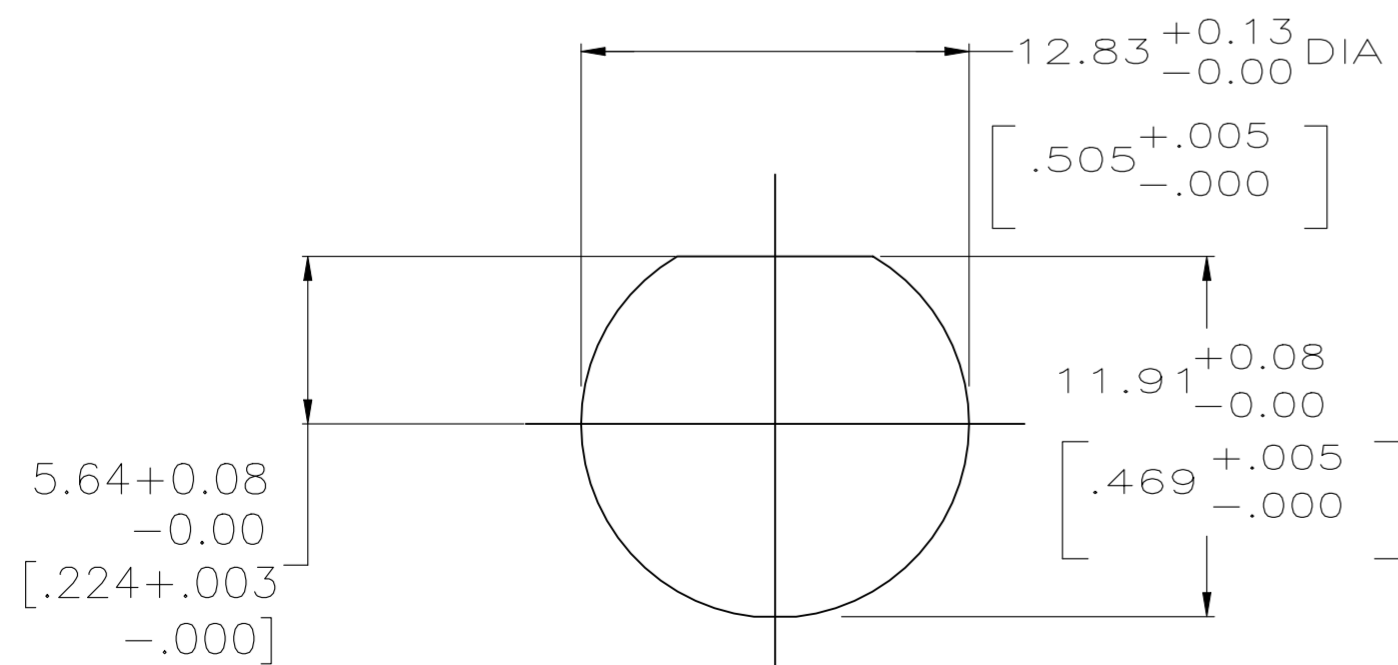
REVISIONS					
P	LTR	DESCRIPTION	DATE	DWN	APVD
	B4	REVISED PER ECN-21-128561	01DEC2021	RZ	WK



- 1 ZINC PER QQ-Z-363.
- 2 BERYLLIUM COPPER PER QQ-C-530.
- 3 PTFE PER MIL-P-19468.
- 4 TIN PLATE PER ASTM B 545, 3.81 μm [.000150] MIN THICK.
- 5 GOLD PLATE PER MIL-G-45204, 0.76 μm [.000030] MINIMUM THICK.
- 6 INTERFACE PER MIL-C-39012.
- 7 MODIFIED MAJOR DIAMETER TO 12.29 [.484].



PCB CONFIGURATION



RECOMMENDED PANEL CUTOUT

	4.34±0.38 [.171±.015]	4.34±0.38 [.171±.015]	6274425-4
OBSOLETE	2.44+0.00/0.23 [.096+.000-.009]	2.44+0.00/0.23 [.096+.000-.009]	6274425-3
OBSOLETE	3.33±0.20 [.131±.008]	4.34±0.38 [.171±.015]	6274425-2
	DIM L	DIM K	PART NUMBER

THIS DRAWING IS A CONTROLLED DOCUMENT.		DWN L. VARELA - DOCK5 02FEB2005																		
DIMENSIONS: mm [INCHES]		CHK J. HAVENER 02FEB2005																		
TOLERANCES UNLESS OTHERWISE SPECIFIED:		APVD J. LIPPERT 02FEB2005																		
<table border="0"> <tr><td>0 PLC</td><td>±</td><td>-</td></tr> <tr><td>1 PLC</td><td>±</td><td>-</td></tr> <tr><td>2 PLC</td><td>±</td><td>0.08 [.003]</td></tr> <tr><td>3 PLC</td><td>±</td><td>-</td></tr> <tr><td>4 PLC</td><td>±</td><td>-</td></tr> <tr><td>ANGLES</td><td>±</td><td>-</td></tr> </table>		0 PLC			±	-	1 PLC	±	-	2 PLC	±	0.08 [.003]	3 PLC	±	-	4 PLC	±	-	ANGLES	±
0 PLC	±	-																		
1 PLC	±	-																		
2 PLC	±	0.08 [.003]																		
3 PLC	±	-																		
4 PLC	±	-																		
ANGLES	±	-																		
MATERIAL: SEE NOTES 1 - 4	FINISH: SEE NOTES 5, 6	WEIGHT: 0.000000	SIZE: A2	CAGE CODE: 00779	DRAWING NO: C-6274425	RESTRICTED TO: -														
CUSTOMER DRAWING			SCALE: 4:1	SHEET: 1 of 1	REV: B4															